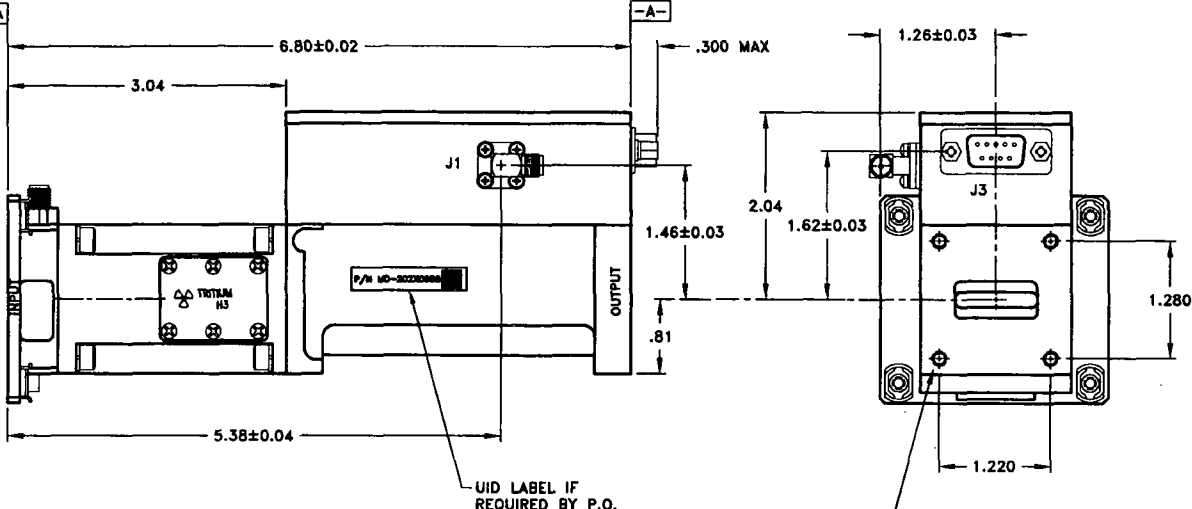
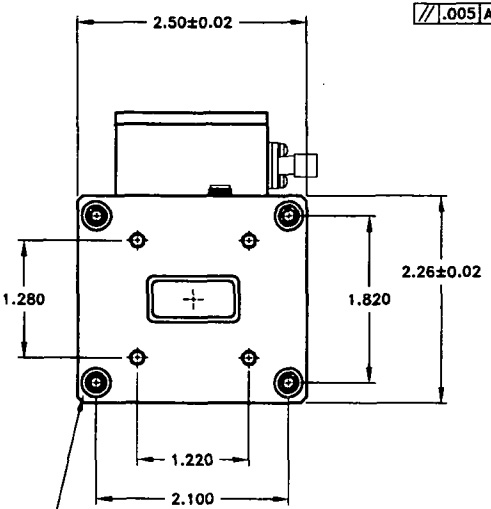
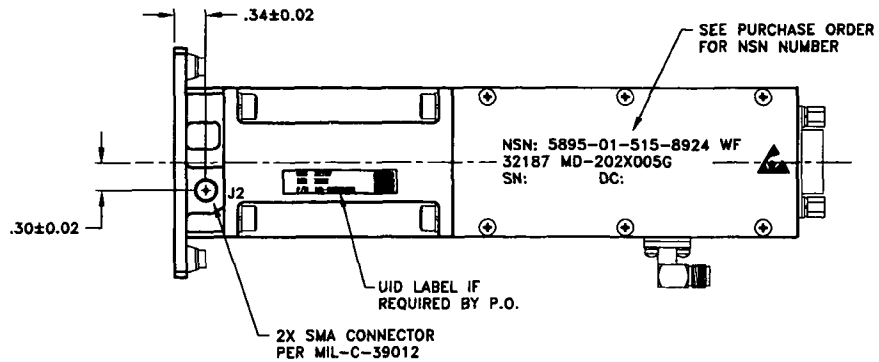


CAGE NO.	DWG. NO.	REV	SHT	DWG. RELEASE DATE
32187	040038	C	1	

REVISIONS					
ZONE	REV	DESCRIPTION	DATE	CHK'D	APPROVED
	1	PICTORAL CHANGE ECO 15420	07/05/11	JFOX	MPW 07/22/11
	A	CORRECT NSN # ECO 15432	07/22/11	JFOX	MPW 07/22/11
	B	ADD INPUT & OUTPUT MARKING	11/23/11	JFOX	MPW 11/23/11
	C	ADD UID LABELS ECO 15525	01/14/12	JFOX	MPW 11/23/11



- NOTES:
1. FINISH: CHEMICAL FILM (YELLOW) PER MIL-C-5541E CLASS III
 2. MARKING: BLACK EPOXY INK PER MIL-STD-130

STANDARD SHOP PRACTICES OF HERLEY-IND APPLY TO THIS DRAWING
 REMOVE ALL BURS & SHARP EDGES UNLESS OTHERWISE NOTED
 UNLESS OTHERWISE SPECIFIED / FINISH MACHINE SURFACES TO .03 U INCH OR A SURFACE CONTROLLED BY A TOTAL TOLERANCE OF .010 INCH OR LESS

QTY REQ'D	PRD NO	CODE IDENT NO	PART OR IDENTIFYING NO	NOMENCLATURE OR DESCRIPTION	REMARKS	REF. EMDI PART NO
PARTS LIST						
				UNLESS OTHERWISE SPECIFIED DIMENSIONS ARE IN INCHES TOLERANCES OR: DECIMAL FRACTION ± 1/64 .XX ± .01 ANGLE ± 1/8° .XXX ± .006 .XXX ± .008 DO NOT SCALE DRAWING	CONTRACT NO: DATE	 10 HERRING DRIVE WINDSORHAM 01891 CAGE NUMBER 21287 New England DRAWING TITLE OUTLINE WD-202X005G
				MATERIAL:	DRWN: J FOX 03/29/11	
				FINISH:	CHK: ENG: M WONSON 03/29/11	
				NEXT ASSY USED ON	APPD:	
				APPLICATION	APPD:	
					SIZE: C CAGE NO: 32187 DRAWING NO. 040038 REV: C	
					SCALE: 1 : 1 WF: SHEET 1 OF 1	

4

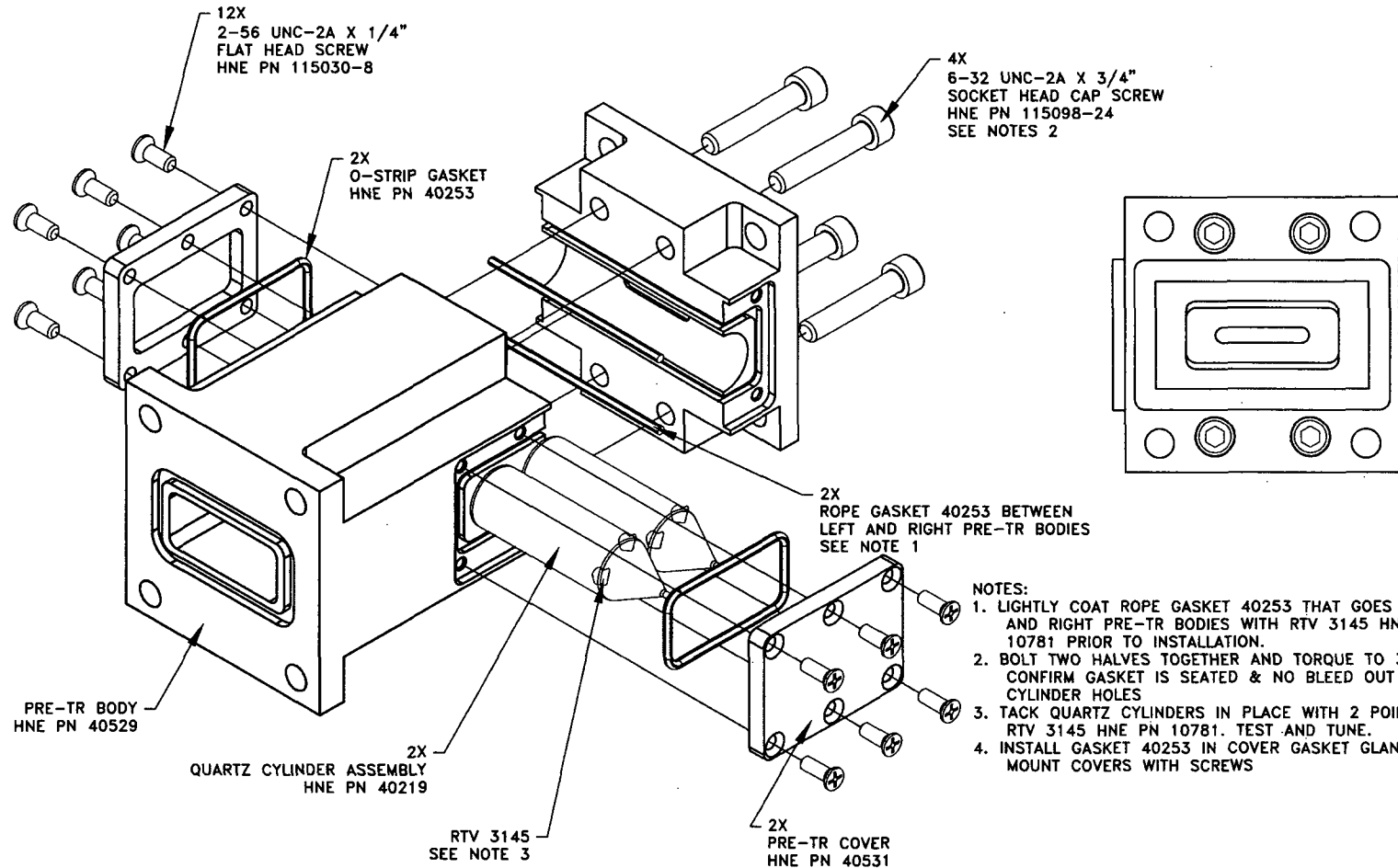
3

2

CAGE NO. 32187	DWG. NO. 040474	REV A	SHT 1	DWG. RELEASE DATE
-------------------	--------------------	----------	----------	-------------------

BUILD SEQUENCE:
1. 40475 ASSEMBLE PRE-TR HALVES TOGETHER
SEE NOTES BELOW

REVISIONS				
ZONE	REV	DESCRIPTION	DATE	CHK'D APPROVED
	A	CHANGE PER ECO 15485	11/07/11	<i>[Signature]</i> <i>[Signature]</i> <i>[Signature]</i>



NOTES:

- LIGHTLY COAT ROPE GASKET 40253 THAT GOES BETWEEN LEFT AND RIGHT PRE-TR BODIES WITH RTV 3145 HNE PN 10781 PRIOR TO INSTALLATION.
- BOLT TWO HALVES TOGETHER AND TORQUE TO 30 in.-lbs. CONFIRM GASKET IS SEATED & NO BLEED OUT INTO CYLINDER HOLES
- TACK QUARTZ CYLINDERS IN PLACE WITH 2 POINTS OF RTV 3145 HNE PN 10781. TEST AND TUNE.
- INSTALL GASKET 40253 IN COVER GASKET GLAND AND MOUNT COVERS WITH SCREWS

QTY REQ'D	FIG NO	CODE IDENT NO	PART OR IDENTIFYING NO	NOMENCLATURE OR DESCRIPTION	REMARKS	REF. HMDI PART NO
--------------	-----------	------------------	------------------------	-----------------------------	---------	-------------------

PARTS LIST

PROPRIETARY INFORMATION
This print is the sole property of HERLEY-IND and is not to be used for any purpose other than Quotation or Procurement for HERLEY-IND

UNLESS OTHERWISE SPECIFIED
DIMENSIONS ARE IN INCHES
TOLERANCES ON:
DECIMAL FRACTION $\pm 1/64$
XX $\pm .01$ ANGLE $\pm 1/2^\circ$
XXX $\pm .005$
XXXX $\pm .0005$
DO NOT SCALE DRAWING

CONTRACT NO: _____ DATE: _____
DRWN: J FOX 09/14/11
CHK: _____
ENG: M WONSON 09/15/11
APPD: _____
APPD: _____

HERLEY 10 SOMER DRIVE
New England WOBURN, MA 01897
CAGE NUMBER 32187

DRAWING TITLE
PRE-TR ASSEMBLY
MD-202X005G

STANDARD SHOP PRACTICES OF HERLEY-IND APPLY TO THIS DRAWING
REMOVE ALL BURRS & SHARP EDGES UNLESS OTHERWISE NOTED

UNLESS OTHERWISE SPECIFIED / FINISH MACHINE SURFACES TO 63 μ INCH ON A SURFACE CONTROLLED BY A TOTAL TOLERANCE OF .010 INCH OR LESS

NEXT ASS'Y USED ON APPLICATION

FINISH: _____
CONTRACT SERIAL NUMBER _____
DRAWING NO: _____

SIZE CAGE NO. DRAWING NO. REV:
C 32187 040475 A
SCALE: 2/1 WT: _____ SHEET

4

3

2

1

Herley New England
10 Sonar Dr.
Woburn, MA 01801



neepo
018.359
03/13/2012
Mailed From 01801

US POSTAGE

U.S. NUCLEAR REGULATORY COMM
OFFICE OF FEDERAL STATE MAT. &
ENVIRONMENTAL MGMT PROGRAM
DIVISION OF MATERIALS SAFETY & STATE AGREEMENTS
WASHINGTON, DC 20555-0001

Herley New England

Application for License Renewal

20-13270-02E

6/15/2012