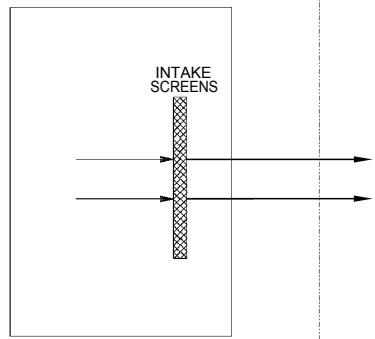
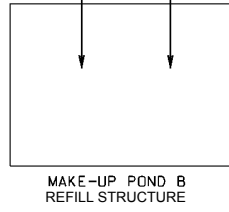
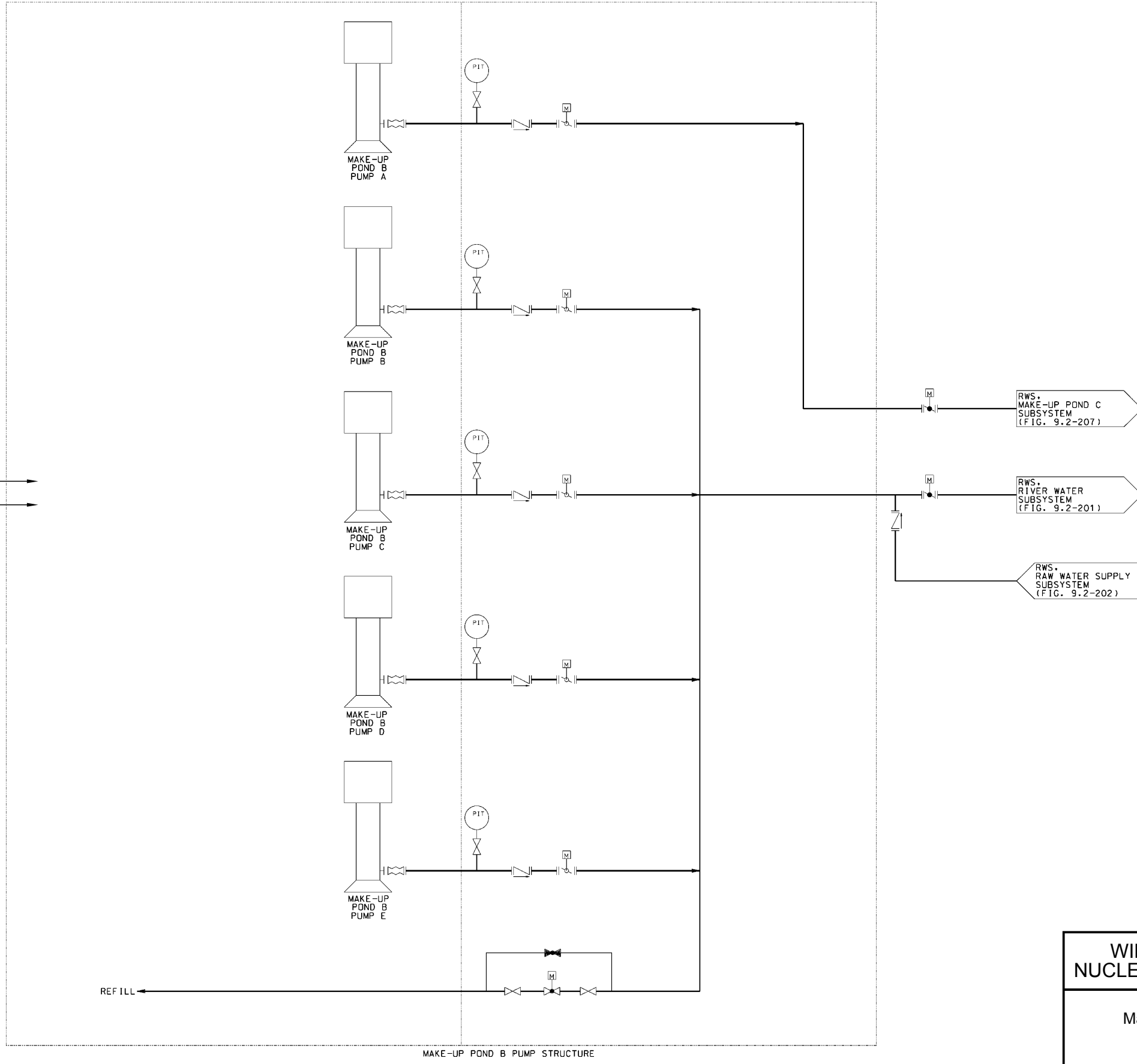


RWS REFILL SUBSYSTEM (FIG. 9.2-206)

RWS REFILL SUBSYSTEM (FIG. 9.2-206)



NOTES:  
1. ALL MOTOR OPERATED VALVES SHALL HAVE MANUAL OPERATION HANDWHEELS.



WLS SUP 9.2-5

WILLIAM STATES LEE III  
NUCLEAR STATION UNITS 1 & 2  
Raw Water System,  
Make-Up Pond B Subsystem  
FIGURE 9.2-203 Rev 5