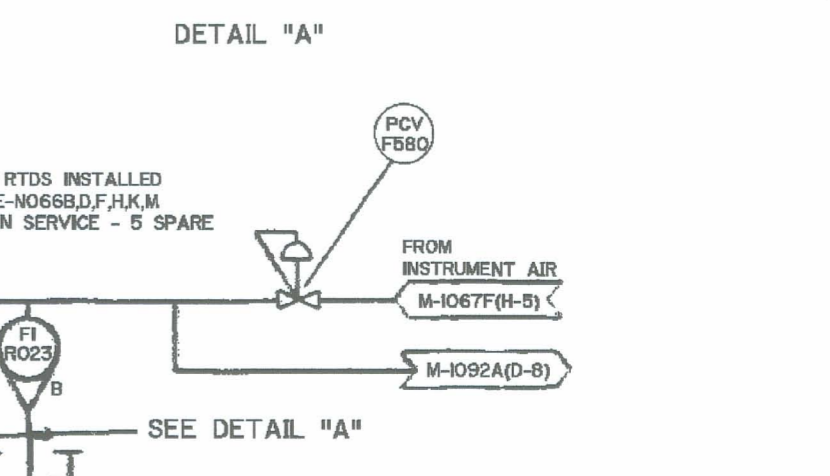
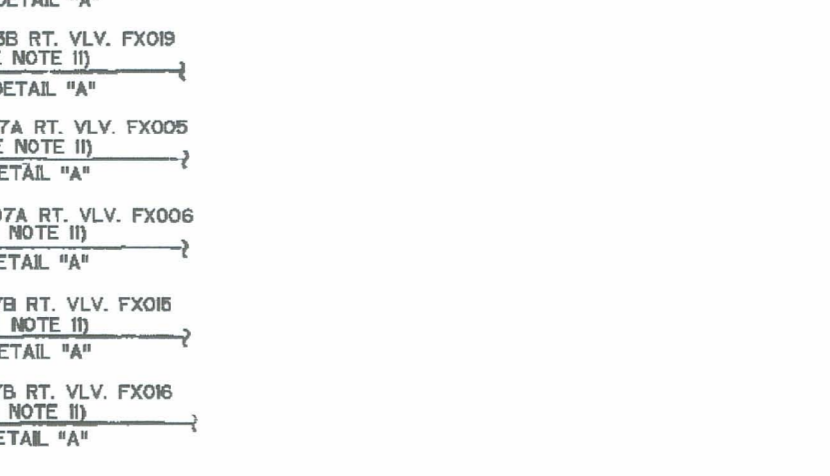


- TYPICAL FOR 30 VALVES:
- F032A,B
  - F032B
  - F041A,B
  - F041B
  - F042
  - F053A,B,C & D
  - F053A
  - F053B
  - F056
  - F056B
  - F056C
  - F056D
  - F056E
  - F056F
  - F056G
  - F056H
  - F056I
  - F056J
  - F056K
  - F056L
  - F056M
  - F056N
  - F056O
  - F056P
  - F056Q
  - F056R
  - F056S
  - F056T
  - F056U
  - F056V
  - F056W
  - F056X
  - F056Y
  - F056Z



- NOTES:
- ALL EQUIPMENT NUMBERS ON THIS DRAWING ARE PREFIXED BY IN64 UNLESS OTHERWISE NOTED.
  - THOSE LINES WITH TWO PRESSURE-TEMP INTEGRITY CLASSIFICATIONS SHALL CONFORM TO THE LOWER CLASSIFICATION IN STRAIGHT PIPE RUNS AND SHALL CONFORM TO THE HIGHER CLASSIFICATION AT ALL STRAIGHT RUN ENDS. A STRAIGHT RUN END INCLUDES BENDS, VALVES AND ANY DISCONTINUITY REDUCING THE DIAMETER 1/8" OR MORE. THE END SHALL INCLUDE THE LAST TEN FEET OF LINE TO SUCH END OR DISCONTINUITY.
  - THIS P & ID REDRAWN FROM G.E. P & ID NO. 78E906-OFF GAS SYSTEM-LOW TEMPERATURE.
  - ALL INSTRUMENT NUMBERS ON THIS DRAWING ARE PREFIXED BY IN64 UNLESS OTHERWISE NOTED.
  - DELETED
  - ALL VENT AND DRAIN LINES IN OFF-GAS VAULT ARE TO BE CLOSED BY SOCKET WELDED CAPS AFTER HYDRO.
  - ALL PIPING 2" AND SMALLER IS CLASSIFIED AS 1"-E", 1/2"-C", 1/2"-D, 1/2"-A" OR 1/2"-B" RADIATION LEVEL.
  - TRAPS D005A & B, F004A & B, D017 & D035 AND D036A & B SHALL INCORPORATE INTEGRAL STRAINERS.
  - VALVE F339(N) (M-1092B) SHALL BE INSTALLED WITH THE PACKING GLAND ON THE UPSTREAM SIDE OF THE DISC.
  - FIELD IS TO PURCHASE THE FOLLOWING SPARK-FREE VALVES FROM IN64: F337A,B; F338A,B; F005A,B; F006A,B; F341A,B; F094A,B; F004A,B; F008A,B IN ACCORDANCE WITH THE LATEST REV. OF THE MISC BILL OF MATERIALS (M-0054).
  - THESE ROTAMETERS APPLY TO INSTRUMENT ROOT VALVES WHICH ARE NOT SHOWN.



COMPONENTS SUBJECT TO AMR  
 NON-SAFETY RELATED SYSTEMS &  
 COMPONENTS AFFECTING SAFETY  
 RELATED SYSTEMS AMM20

033	AS-BUILT PER EC-4594	WE	N/A	N/A	N/A	1-14-88
032	AS-BUILT PER EC-4563	WE	N/A	N/A	N/A	12-19-87
031	AS-BUILT PER DRN 04-1390					SIGN-OFF ON RECORD

REVISED

NO. DATE DESCRIPTION BY ENG. CHK. APP.

REVISIONS

**LRA-M-1092A**

FILE: m1092a.dgn

MASTER FILE

SCALE: NONE DRAWING No. M-1092A

HYBRID DFN: m1092a.dgn

NO.	DATE	DESCRIPTION	BY	ENG.	CHK.	APP.
0	10-13-2011					

D039