

80601-W 15101 1311 1315 MPL No. 1E31 1015M

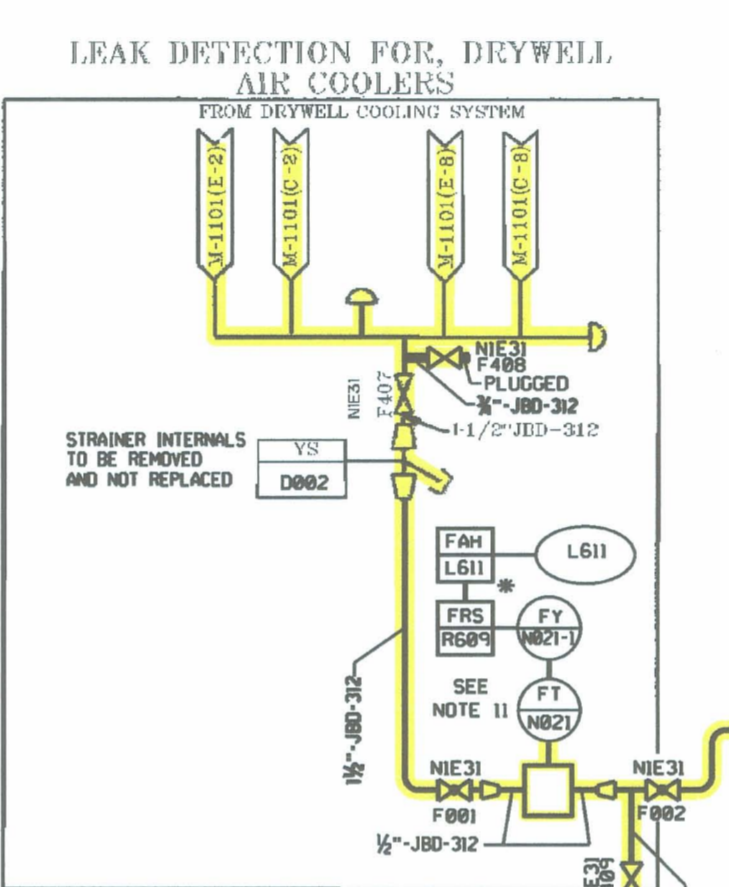
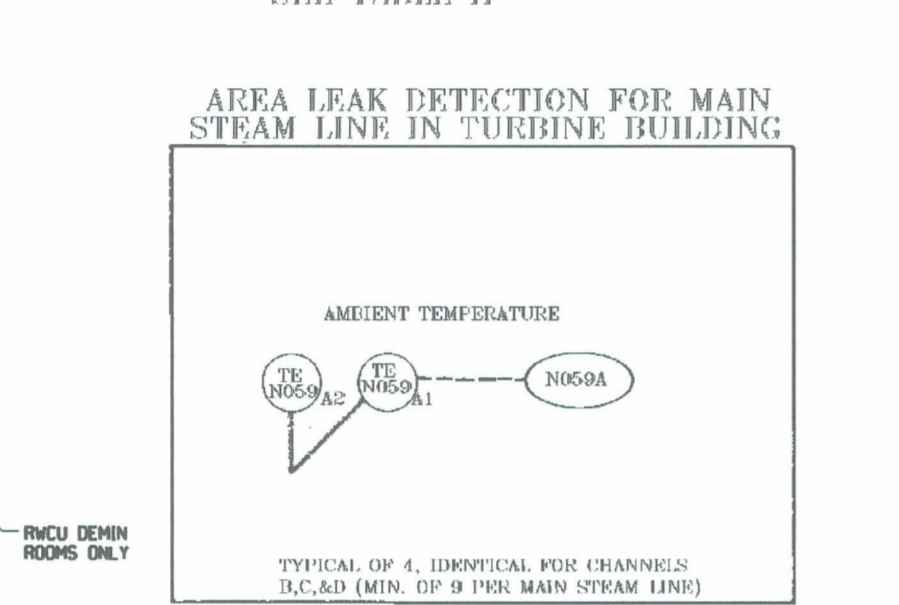
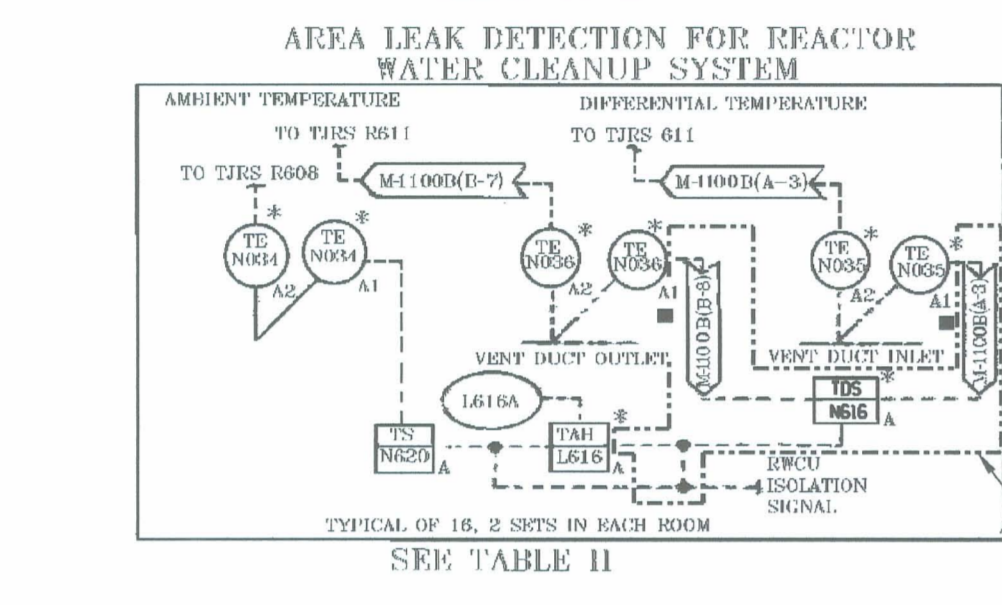
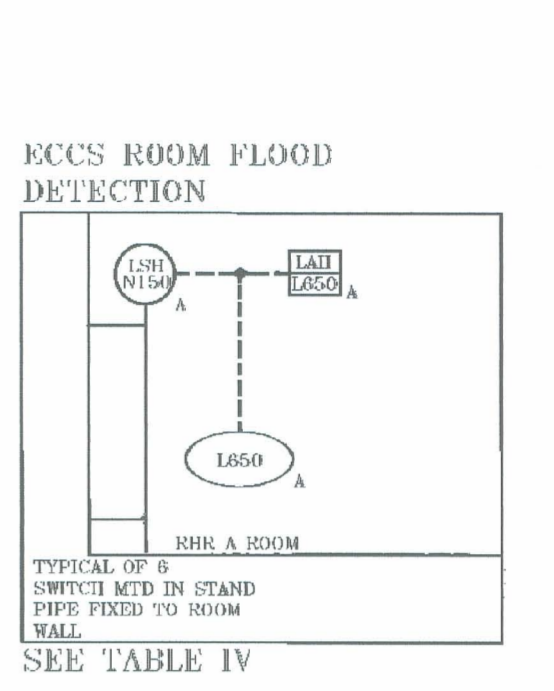
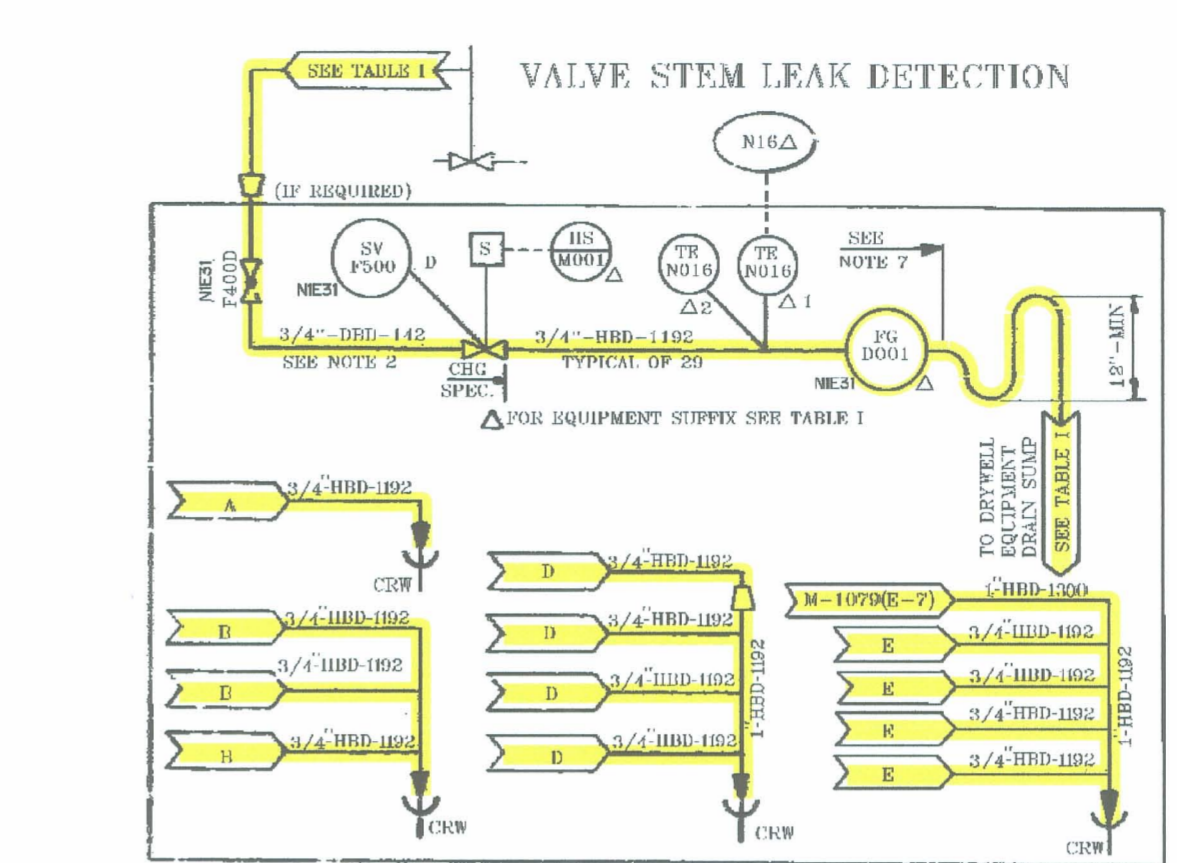
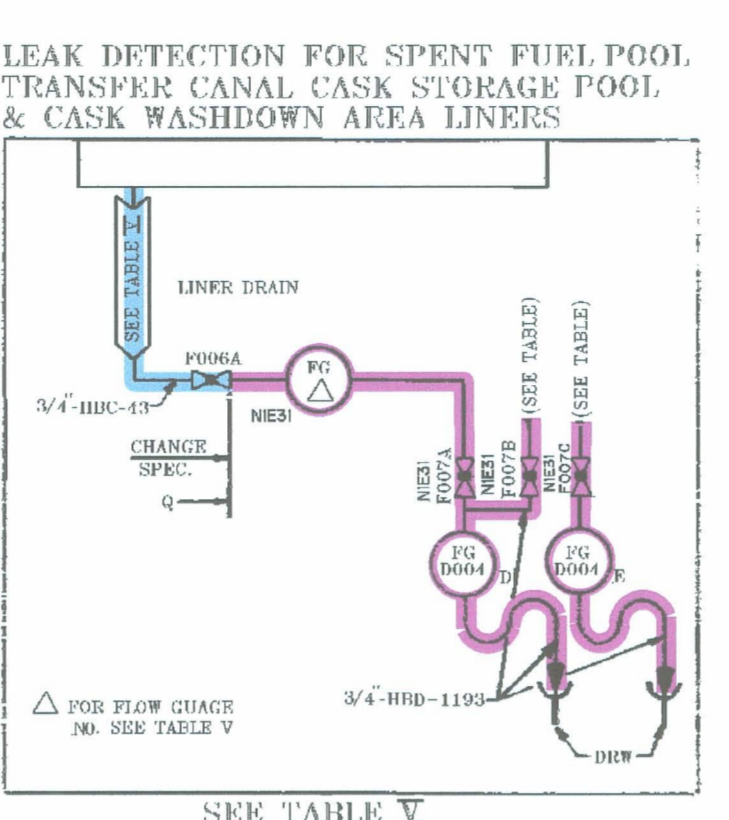
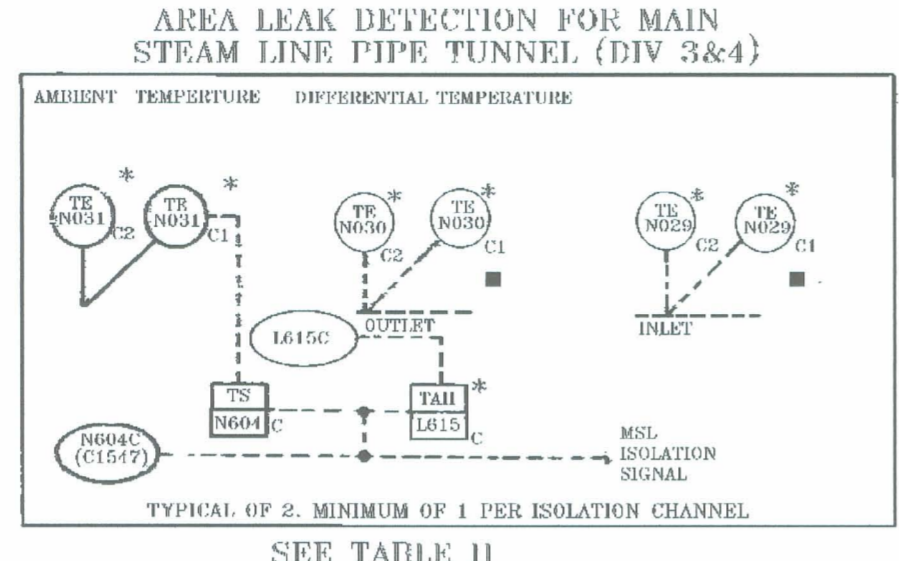
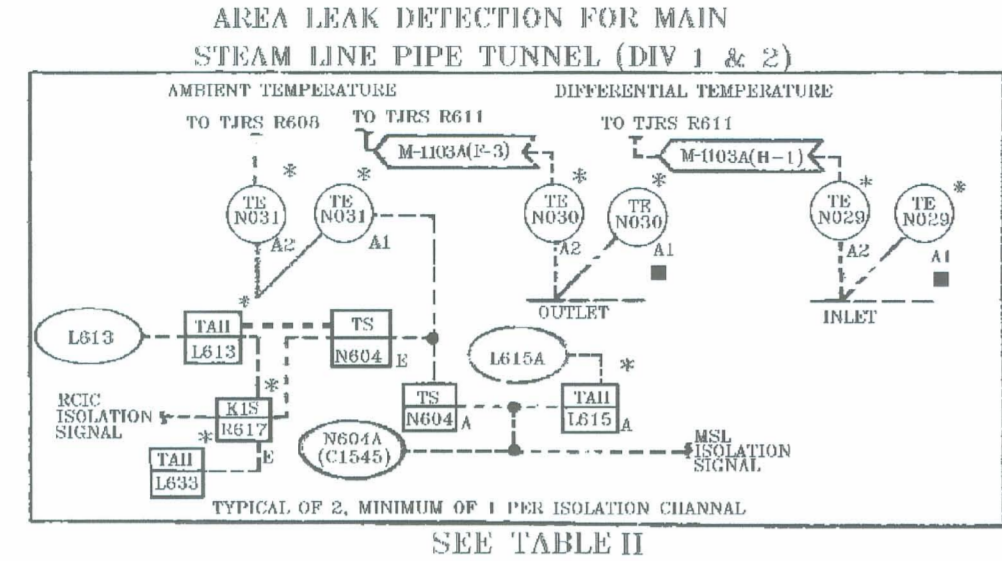


TABLE I

SU SCOPE	VALVE WITH LEAK OFF	VALVE STEM REFERENCE	ISOLATION VALVE	SOLENOID VALVE	EQUIP. SUPPLY	ALARM GROUP	COMP. POINTS INPUT	COMP. POINTS OUTPUT	LINE NO'S	DRAIN CONN. REFERENCE	
E31-1	R21-P01A	M-1077A (G-5)	F400H	F500D	A0	L600	N16A		3/4" DRD-142	3/4" DRD-1192	
	R21-P02A	(G-5)	F	F	A1						
	B	(G-5)	F	F	A2						
	C	(G-5)	F	F	A3						
	D	(G-5)	F	F	A4						
	E	(G-5)	F	F	A5						
	F	(G-5)	F	F	A6						
	G	(G-5)	F	F	A7						
	H	(G-5)	F	F	A8						
	I	(G-5)	F	F	A9						
E31-2	R21-P01B	M-1077B (G-5)	F400H	F500D	B0	L600	N16B		3/4" DRD-142	3/4" DRD-1192	
	R21-P02B	(G-5)	F	F	B1						
	B	(G-5)	F	F	B2						
	C	(G-5)	F	F	B3						
	D	(G-5)	F	F	B4						
	E	(G-5)	F	F	B5						
	F	(G-5)	F	F	B6						
	G	(G-5)	F	F	B7						
	H	(G-5)	F	F	B8						
	I	(G-5)	F	F	B9						

TABLE II

AREA MONITORED	LEVEL	ALM. POINT	COMP. POINTS	AREA MONITORED	LOCATION	LINE NO'S	FLOW GAUGE NO.	ISO. VALVE	ALARM	SU SCOPE
RHR PUMP A ROOM	L61-150A	L61-150A	L650A	TRANSFER CANAL	M-1080B (D-3)	D004A	P008A			E31-11
RHR PUMP B ROOM	N1500	L650A	L650B	SPENT FUEL POOL	M-1080B (D-4)	D004B	P008B			E31-11
RHR PUMP C ROOM	N1500	L650C	L650C	CASK STORAGE POOL & WASHDOWN AREA	M-1080B (D-5)	D004C	P008C			E31-11
LPDS PUMP ROOM	N151	L651	L651							
HPDS PUMP ROOM	N152	L652	L652							
RCIC PUMP ROOM	N153	L653	L653							

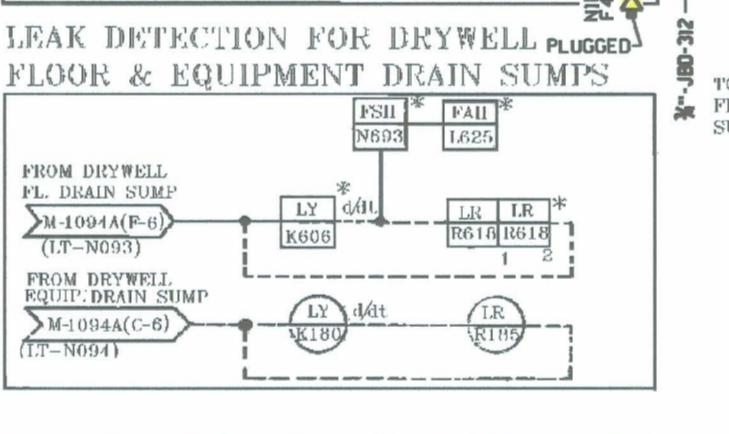
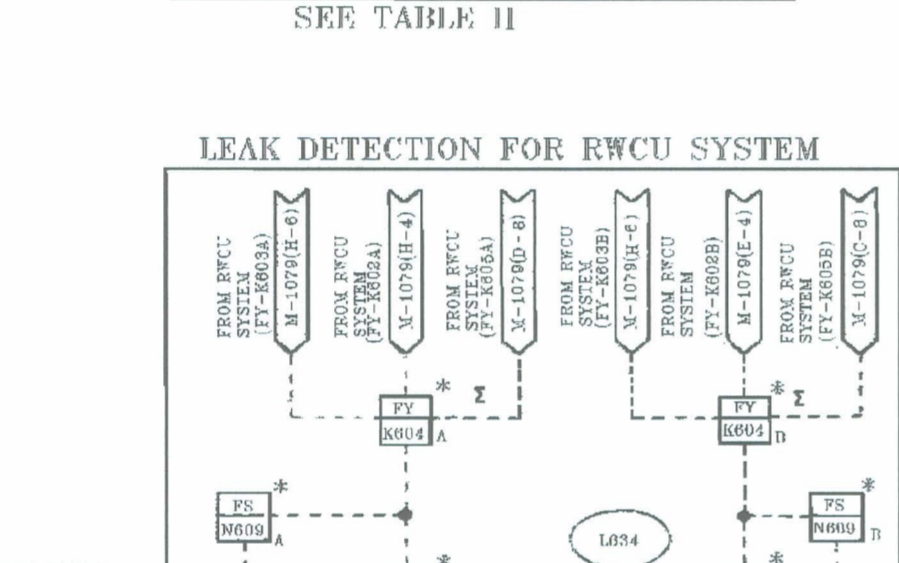
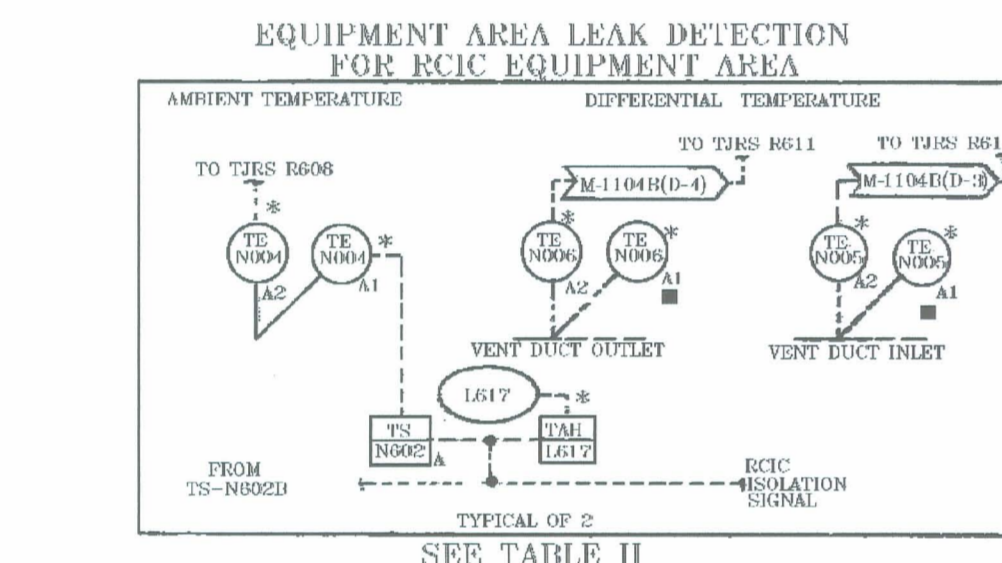


TABLE III

PARAMETER	INPUT	ALARM	PAID REFERENCE
DRYWELL FLOOR DRAIN SUMP IN-LEAKAGE	P45 4081 (COMPUTER POINT)	UA-L689	M-1094A (G-5)
DRYWELL EQUIP. DRAIN SUMP IN-LEAKAGE	P45 4082 (COMPUTER POINT)	UA-L689	M-1094A (G-5)

TABLE IV

AREA MONITORED	LEVEL	ALM. POINT	COMP. POINTS
RHR PUMP A ROOM	L61-150A	L61-150A	L650A
RHR PUMP B ROOM	N1500	L650A	L650B
RHR PUMP C ROOM	N1500	L650C	L650C
LPDS PUMP ROOM	N151	L651	L651
HPDS PUMP ROOM	N152	L652	L652
RCIC PUMP ROOM	N153	L653	L653

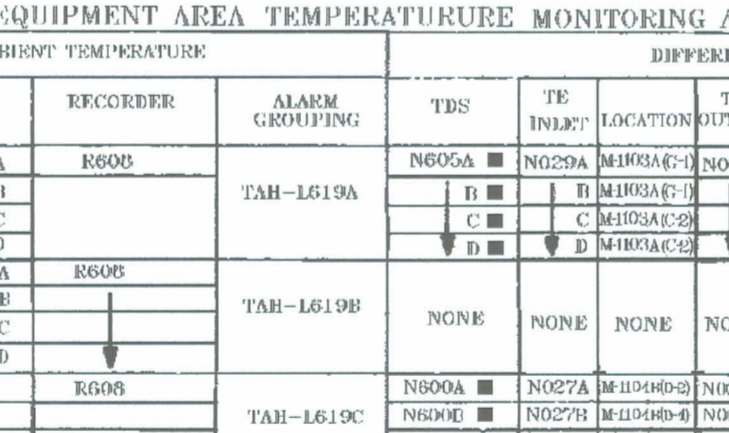
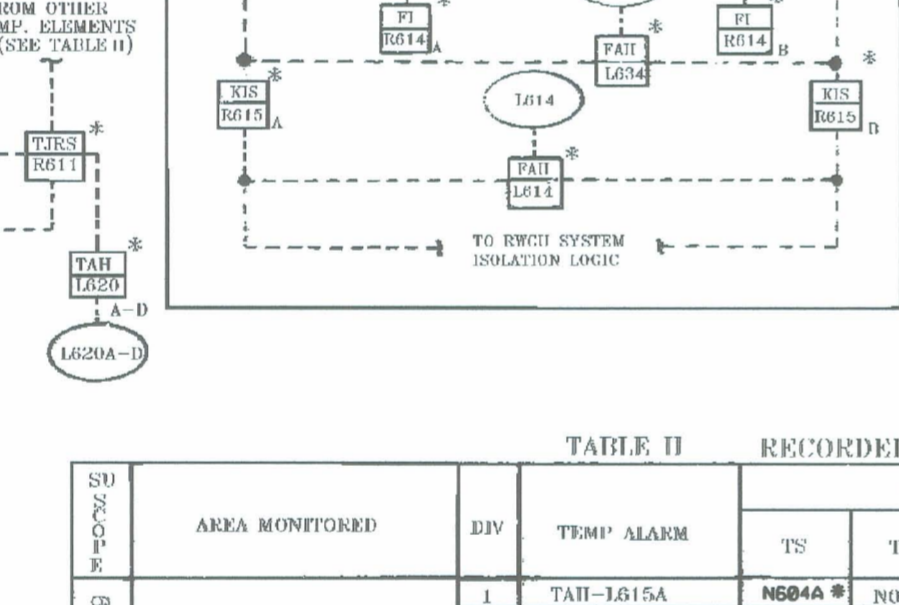
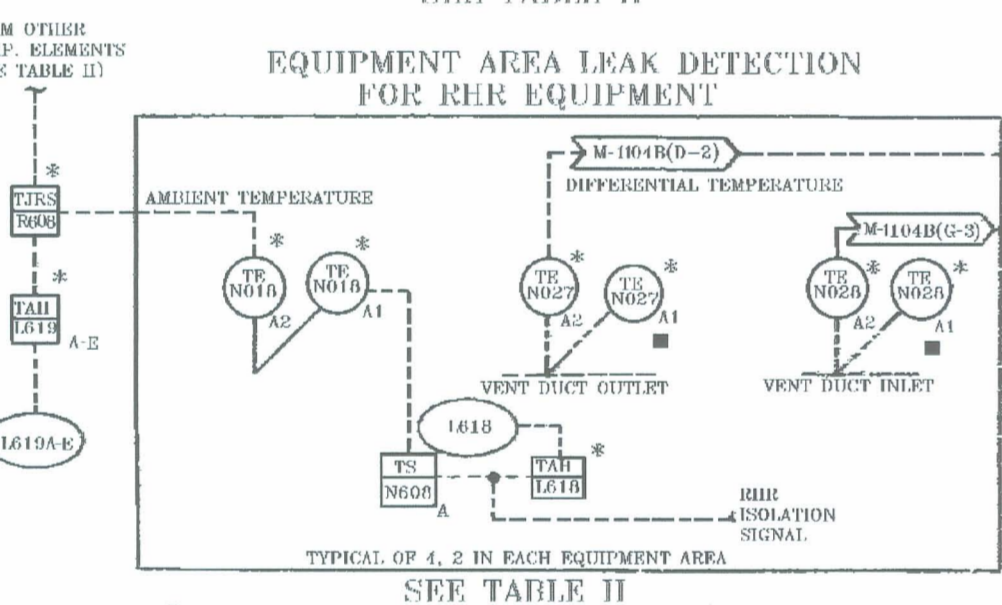


TABLE V

VALVE CLOSED	COMP. POINTS INPUT	COMP. POINTS OUTPUT
D21-P02A, F008A	L615A	L619A
R12-P008, P008, P008A, P007A, & R51-P064	L615B	L619B
R12-P008, P008, P008A, P007A, & R51-P064	L615C	L619C
R12-P008, P008, P008A, P007A, & R51-P064	L615D	L619D
R51-P064	L613	L613
R51-P063	L617	L617
R51-P064	L617	L617
R51-P063	L617	L617
G33-P004, P004, P009, P004	L616A	L616A
P001, P001, P005, P008	L616B	L616B
P004, P004, P005, P004	L616C	L616C
P001, P004, P005, P008	L616D	L616D
P001, P004, P005, P008	L616E	L616E
P001, P004, P005, P008	L616F	L616F
P001, P004, P005, P008	L616G	L616G
P001, P004, P005, P008	L616H	L616H
NONE	NONE	NONE

TABLE VI

AREA MONITORED	TEMP. ALARM	TS	TE	RECORDER	ALARM GROUPING	RECORDER	ALARM GROUPING
MAIN STREAM LINE (SEE NOTE 10)	1	TAH-1615A	N604A	N603A	R600	TAH-1610A	TAH-1620A
	2	TAH-1615B	B	B			
	3	TAH-1615C	C	C			
	4	TAH-1615D	D	D			
DRYWELL	1	NONE	NONE				
	2	NONE	NONE				
RHR A EQUIP AREA 1	1	TAH-1616A	N604A	N603A	R600	TAH-1610A	TAH-1620A
	2	TAH-1616B	N604B	N603B	R600	TAH-1610A	TAH-1620A
RHR B EQUIP AREA 1	1	TAH-1616A	N604A	N603A	R600	TAH-1610A	TAH-1620A
	2	TAH-1616B	N604B	N603B	R600	TAH-1610A	TAH-1620A
RCIC IN STREAM TUNNEL	1	TAH-1613	N604E	N603E	R600	TAH-1610A	TAH-1620A
	2	TAH-1613	N604F	N603F	R600	TAH-1610A	TAH-1620A
RCIC EQUIPMENT AREA 1	1	TAH-1617	N602A	N601A	R600	TAH-1610A	TAH-1620A
	2	TAH-1617	N602B	N601B	R600	TAH-1610A	TAH-1620A
RWCU HEAT EXCH. ROOM	1	TAH-1616A	N602A	N601A	R600	TAH-1610A	TAH-1620A
	2	TAH-1616B	N602B	N601B	R600	TAH-1610A	TAH-1620A
PUMP ROOM 1	1	TAH-1616C	N602C	N601C	R600	TAH-1610A	TAH-1620A
	2	TAH-1616D	N602D	N601D	R600	TAH-1610A	TAH-1620A
HYDR VALVE NEST AREA 1	1	TAH-1616E	N602E	N601E	R600	TAH-1610A	TAH-1620A
	2	TAH-1616F	N602F	N601F	R600	TAH-1610A	TAH-1620A
HYDR VALVE NEST AREA 2	1	TAH-1616G	N602G	N601G	R600	TAH-1610A	TAH-1620A
	2	TAH-1616H	N602H	N601H	R600	TAH-1610A	TAH-1620A
VALVE ROOM 1	1	TAH-1616I	N602I	N601I	R600	TAH-1610A	TAH-1620A
	2	TAH-1616J	N602J	N601J	R600	TAH-1610A	TAH-1620A
ECC. TANK	1	TAH-1616K	N602K	N601K	R600	TAH-1610A	TAH-1620A
	2	TAH-1616L	N602L	N601L	R600	TAH-1610A	TAH-1620A
GUARD PIPE MONITORED	1	NONE	NONE				
	2	NONE	NONE				
MAIN STREAM LINE "A"	1	NONE	NONE				
	2	NONE	NONE				
MAIN STREAM LINE IN TURBINE BUILDING	1	NONE	NONE				
	2	NONE	NONE				

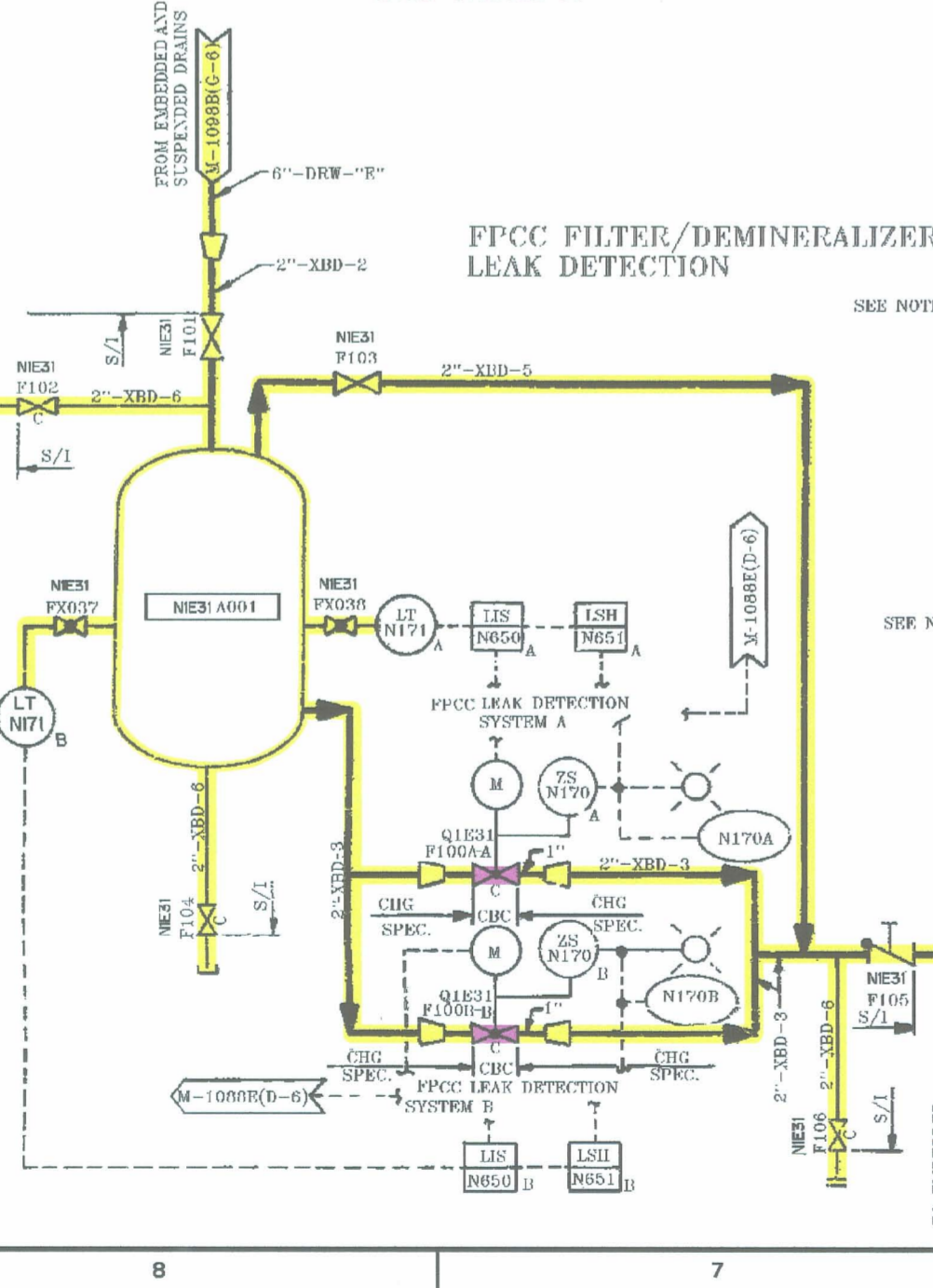


TABLE VII

AREA MONITORED	TEMP. ALARM	TS	TE	RECORDER	ALARM GROUPING	RECORDER	ALARM GROUPING
MAIN STREAM LINE (SEE NOTE 10)	1	TAH-1615A	N604A	N603A	R600	TAH-1610A	TAH-1620A
	2	TAH-1615B	B	B			
	3	TAH-1615C	C	C			
	4	TAH-1615D	D	D			
DRYWELL	1	NONE	NONE				
	2	NONE	NONE				
RHR A EQUIP AREA 1	1	TAH-1616A	N604A	N603A	R600	TAH-1610A	TAH-1620A
	2	TAH-1616B	N604B	N603B	R600	TAH-1610A	TAH-1620A
RHR B EQUIP AREA 1	1	TAH-1616A	N604A	N603A	R600	TAH-1610A	TAH-1620A
	2	TAH-1616B	N604B	N603B	R600	TAH-1610A	TAH-1620A
RCIC IN STREAM TUNNEL	1	TAH-1613	N604E	N603E	R600	TAH-1610A	TAH-1620A
	2	TAH-1613	N604F	N603F	R600	TAH-1610A	TAH-1620A
RCIC EQUIPMENT AREA 1	1	TAH-1617	N602A	N601A	R600	TAH-1610A	TAH-1620A
	2	TAH-1617	N602B	N601B	R600	TAH-1610A	TAH-1620A
RWCU HEAT EXCH. ROOM	1	TAH-1616A	N602A	N601A	R600	TAH-1610A	TAH-1620A
	2	TAH-1616B	N602B	N601B	R600	TAH-1610A	TAH-1620A
PUMP ROOM 1	1	TAH-1616C	N602C	N601C	R600	TAH-1610A	TAH-1620A
	2	TAH-1616D	N602D	N601D	R600	TAH-1610A	TAH-1620A
HYDR VALVE NEST AREA 1	1	TAH-1616E	N602E	N601E	R600	TAH-1610A	TAH-1620A
	2	TAH-1616F	N602F	N601F	R600	TAH-1610A	TAH-1620A
HYDR VALVE NEST AREA 2	1	TAH-1616G	N602G	N601G	R600	TAH-1610A	TAH-1620A
	2	TAH-1616H	N602H	N601H	R600	TAH-1610A	TAH-1620A
VALVE ROOM 1	1	TAH-1616I	N602I	N601I	R600	TAH-1610A	TAH-1620A
	2	TAH-1616J	N602J	N601J	R600	TAH-1610A	TAH-1620A
ECC. TANK	1	TAH-1616K	N602K	N601K	R600	TAH-1610A	TAH-1620A
	2	TAH-1616L	N602L	N601L	R600	TAH-1610A	TAH-1620A
GUARD PIPE MONITORED	1	NONE	NONE				
	2	NONE	NONE				
MAIN STREAM LINE "A"	1	NONE	NONE				
	2	NONE	NONE				
MAIN STREAM LINE IN TURBINE BUILDING	1	NONE	NONE				
	2	NONE	NONE				

TABLE VIII

VALVE CLOSED	COMP. POINTS INPUT	COMP. POINTS OUTPUT
D21-P02A, F008A	L615A	L619A
R12-P008, P008, P008A, P007A, & R51-P064	L615B	L619B
R12-P008, P008, P008A, P007A, & R51-P064	L615C	L619C
R12-P008, P008, P008A, P007A, & R51-P064	L615D	L619D
R51-P064	L613	L613
R51-P063	L617	L617
R51-P064	L617	L617
R51-P063	L617	L617
G33-P004, P004, P009, P004	L616A	L616A
P001, P001, P005, P008	L616B	L616B
P004, P004, P005, P004	L616C	L616C
P001, P004, P005, P008	L616D	L616D
P001, P004, P005, P008	L616E	L616E
P001, P004, P005, P008	L616F	L616F
P001, P004, P005, P008	L616G	L616G
P001, P004, P005, P008	L616H	L616H
NONE	NONE	NONE

TABLE IX

AREA MONITORED	TEMP. ALARM	TS	TE	RECORDER	ALARM GROUPING	RECORDER	ALARM GROUPING
MAIN STREAM LINE (SEE NOTE 10)	1	TAH-1615A	N604A	N603A	R600	TAH-1610A	TAH-1620A
	2	TAH-1615B	B	B			
	3	TAH-1615C	C	C			
	4	TAH-1615D	D	D			
DRYWELL	1	NONE	NONE				
	2	NONE	NONE				
RHR A EQUIP AREA 1	1	TAH-1616A	N604A	N603A	R600	TAH-1610A	TAH-