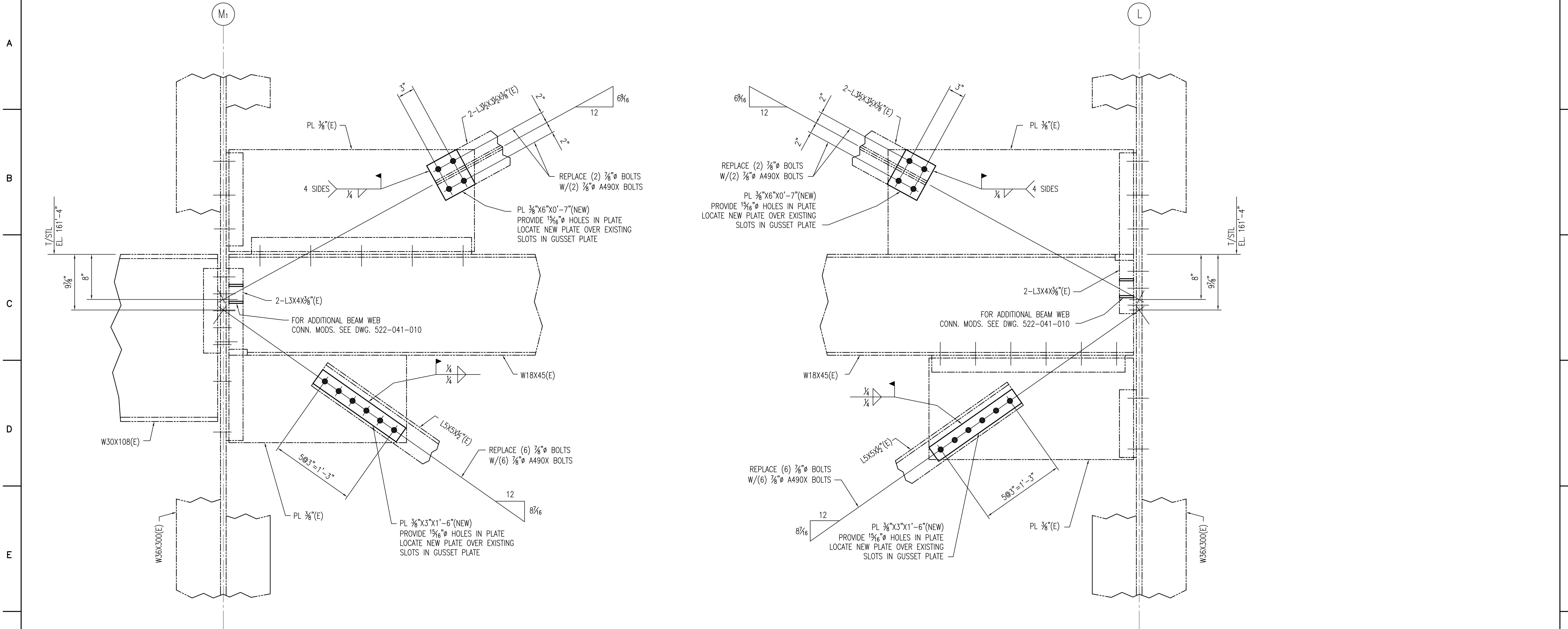


1 2 3 4 5 6 7 8 9 10 KEY NO.: E



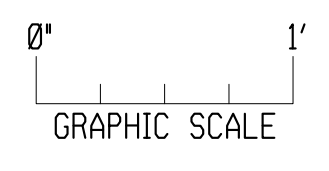
DETAIL 1  
SCALE: 1/2"=1'-0"  
DWG. 522-041-001

DETAIL 2  
SCALE: 1/2"=1'-0"  
DWG. 522-041-001

NOTES:  
1. FOR GENERAL NOTES SEE DWG. 522-041-001.

REFERENCES:  
522-041-001

EC70139 REV. 0  
ATTACHMENT Z122R0  
DWG. NO. 522-041-024



NO.		DESCRIPTION		DRAWN	
REVISIONS					
NUCLEAR ENGINEERING					
CRYSTAL RIVER UNIT 3					
AUXILIARY BUILDING - SOUTH STEEL FRAMING MODIFICATIONS DETAILS					
EWN DRAWN	MPB CHKD.	X APRVD.	12/9/10 DATE	NSNE SCALE	
C DISCP.	024 SHEET	DWG.	522-041	Q REV.	