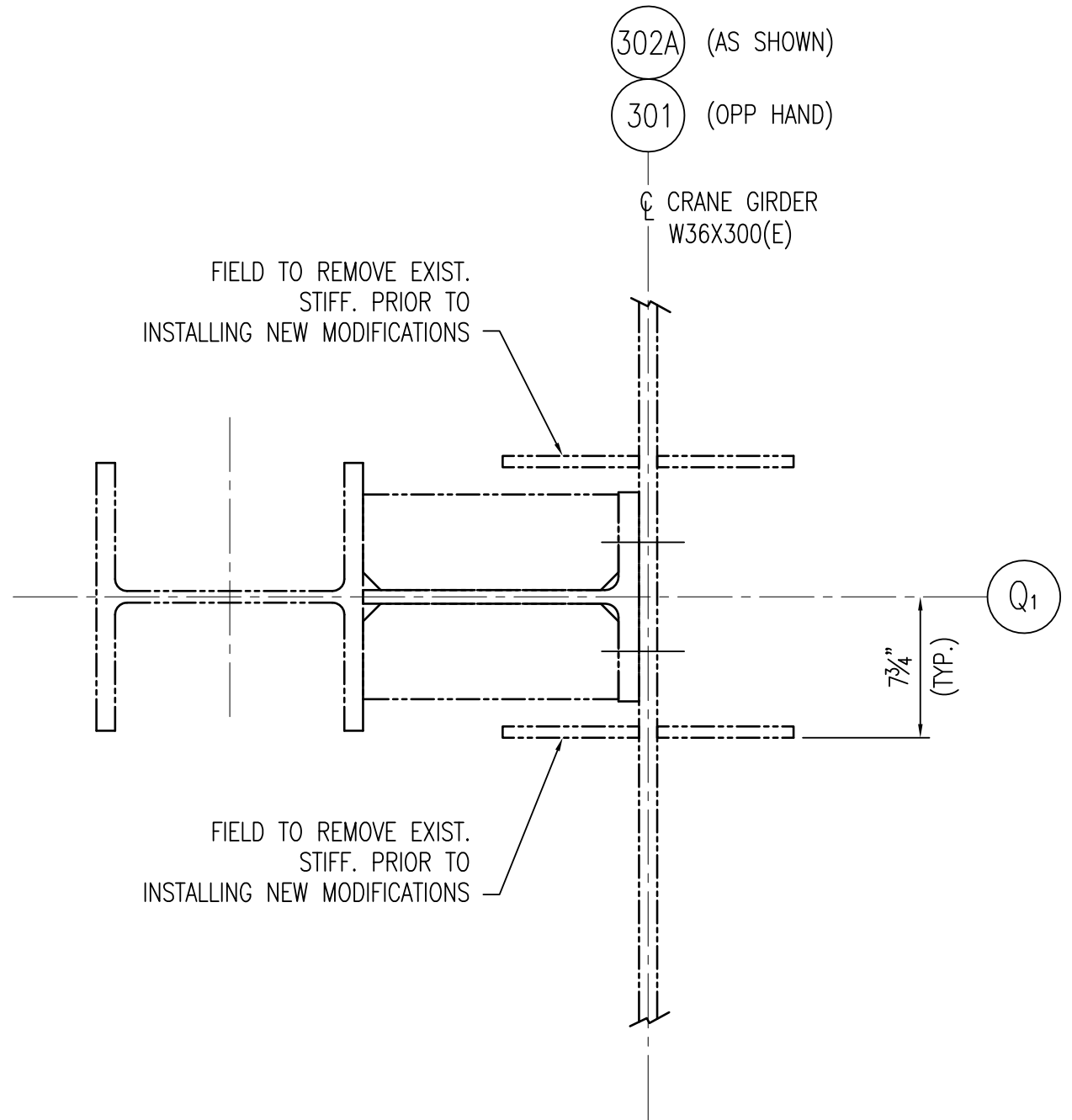
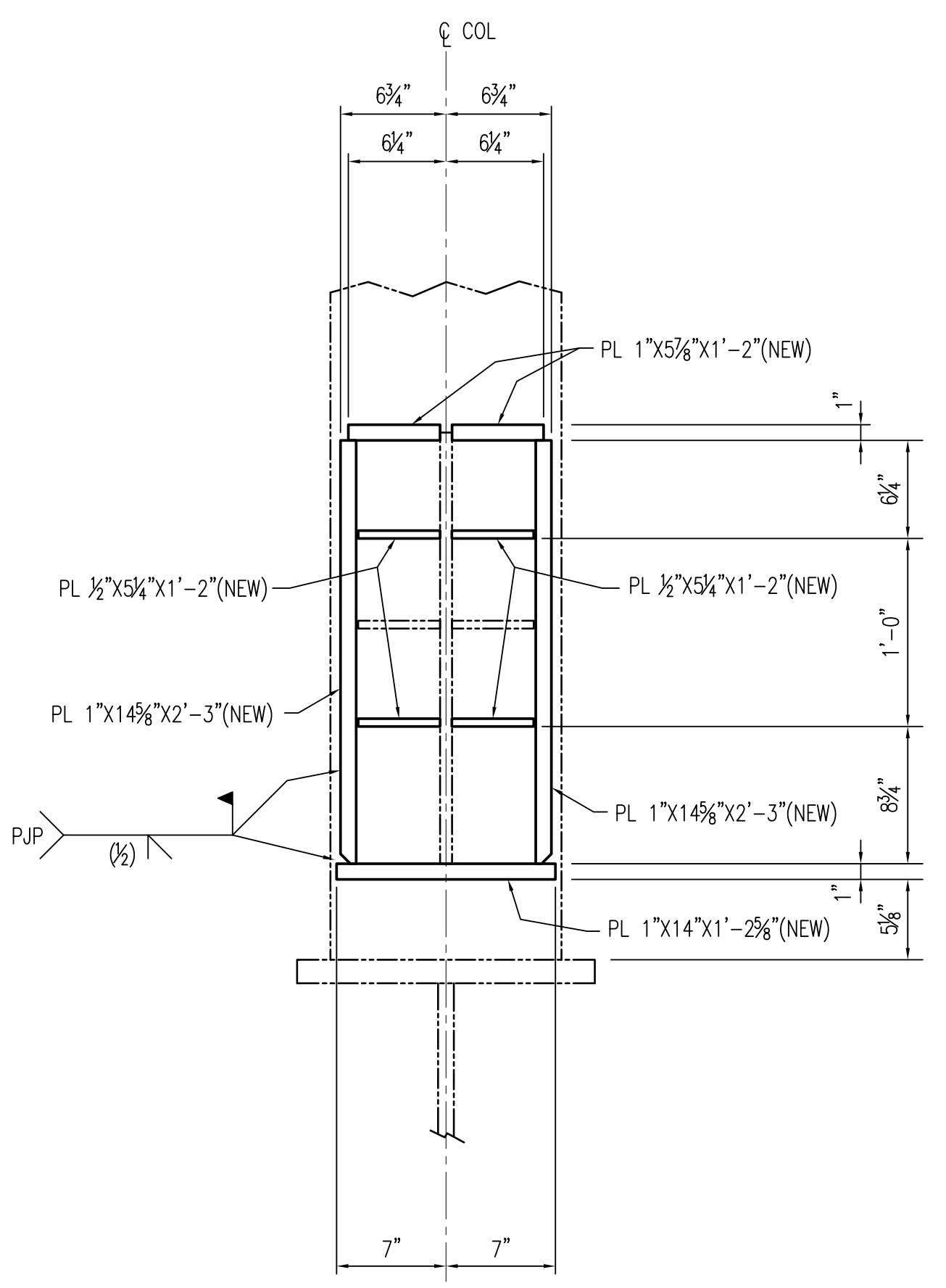


1 2 3 4 5 6 7 8 9 10

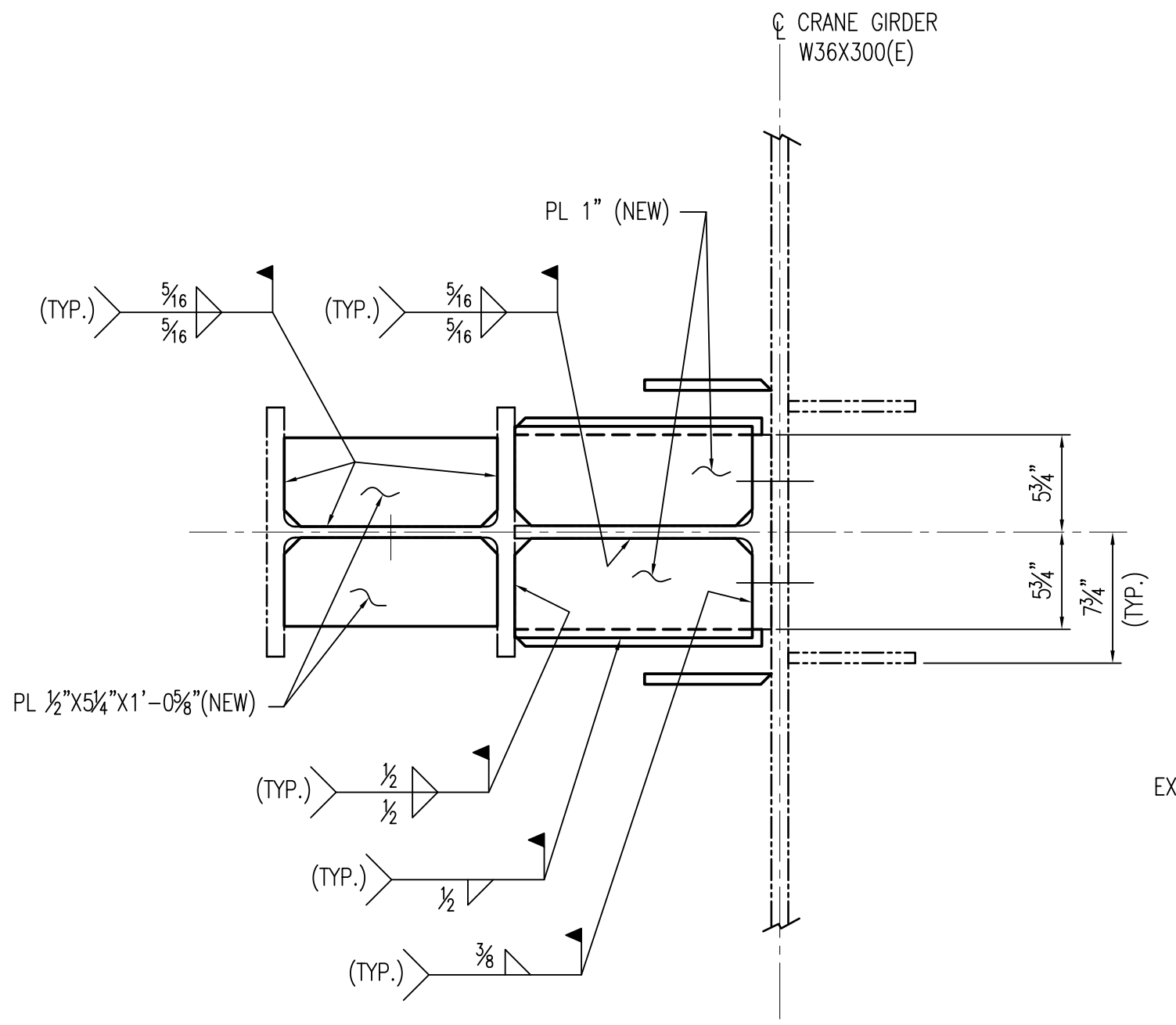
A B C D E F G H



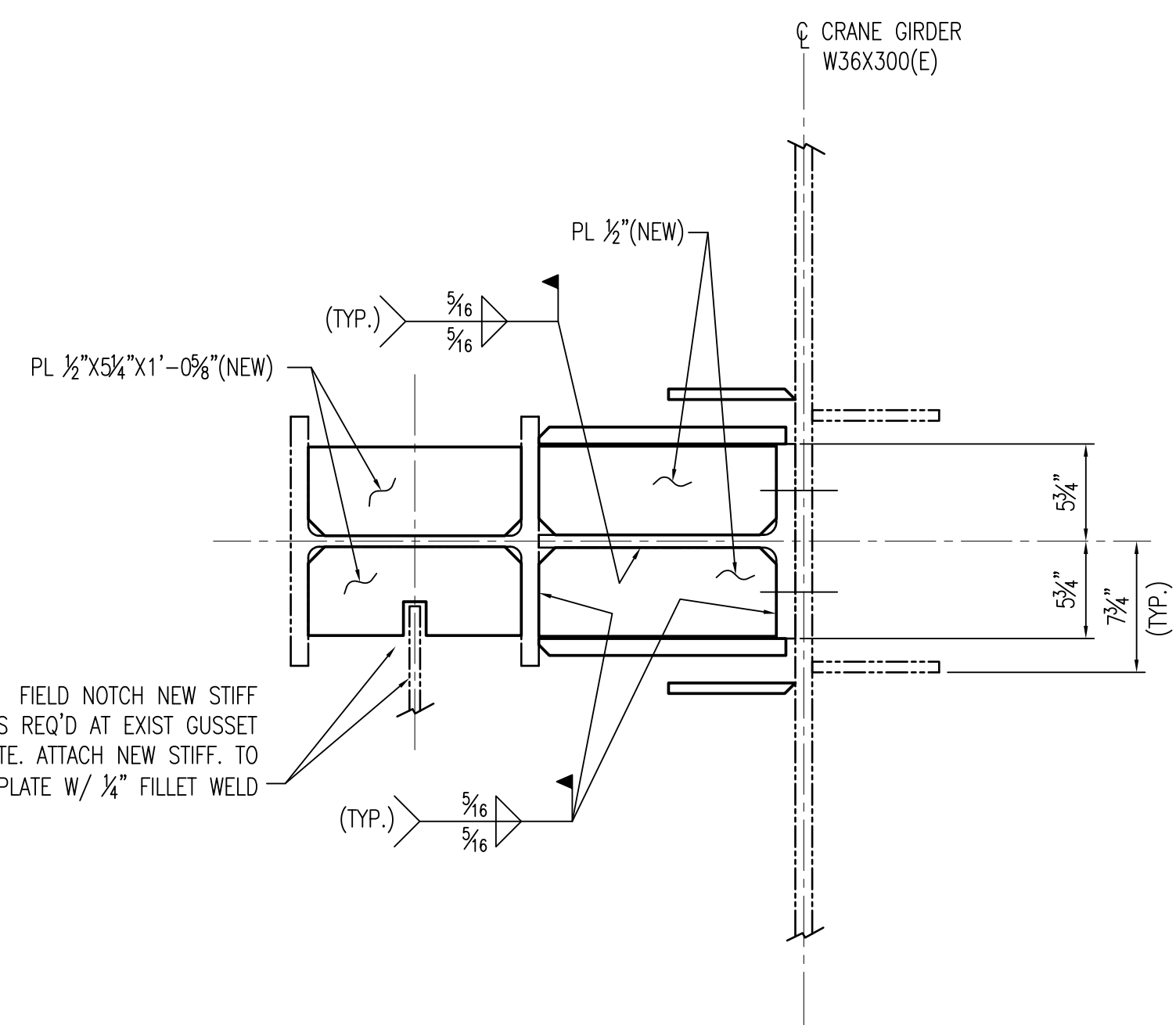
SECTION A-A  
SCALE: 1/2"=1'-0"  
DWG. 522-041-021



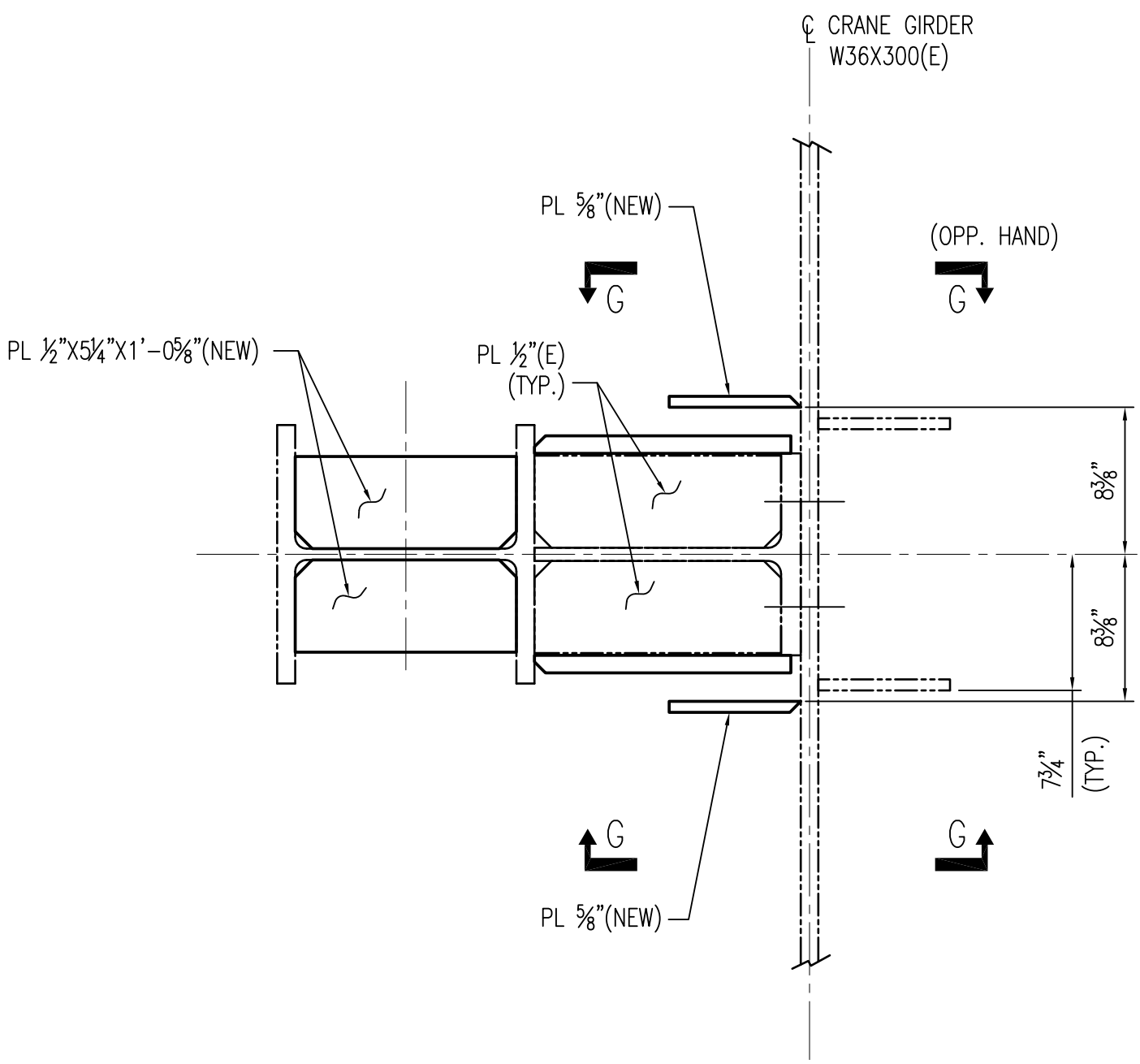
SECTION B-B  
SCALE: 1/2"=1'-0"  
DWG. 522-041-021



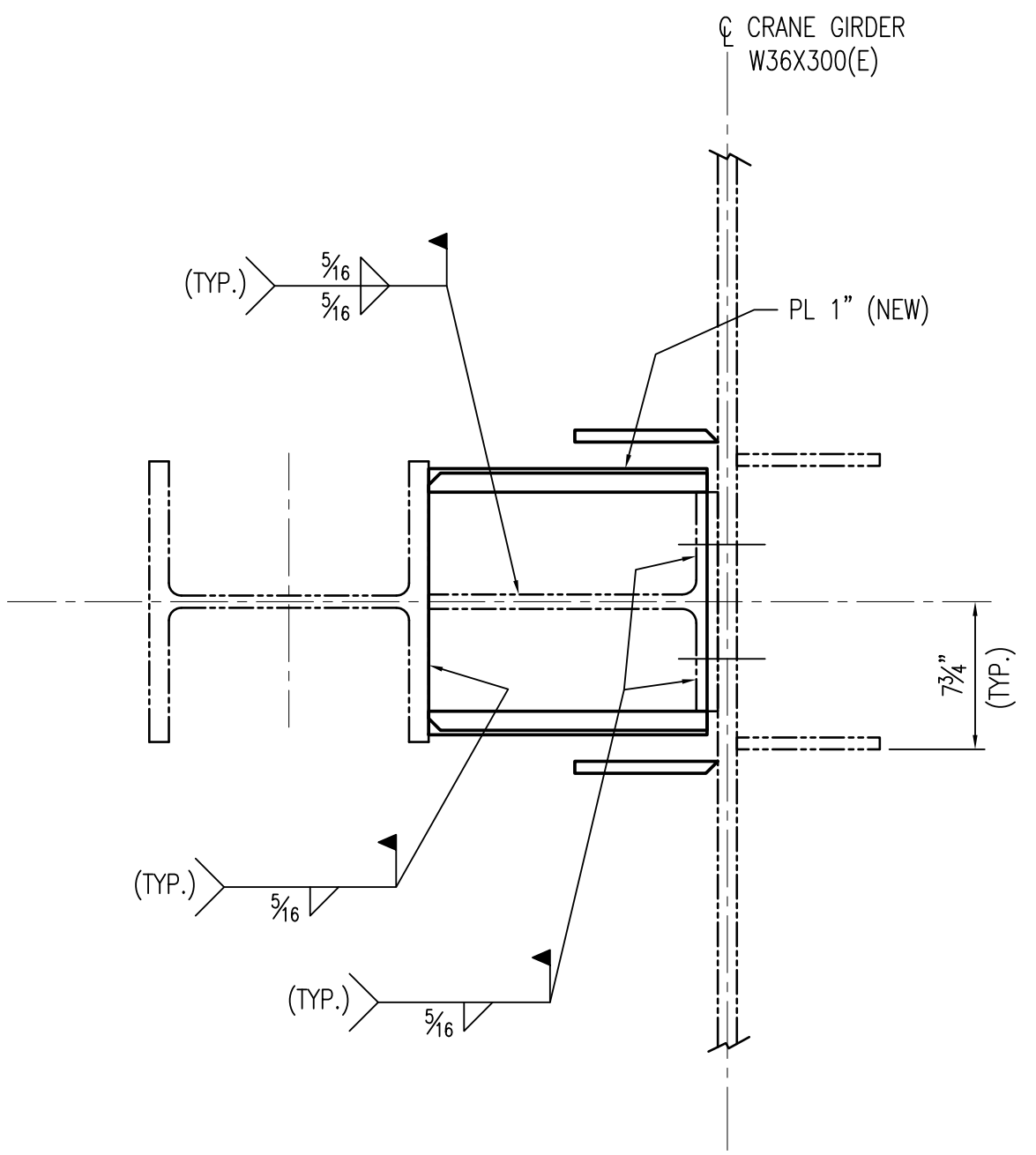
SECTION C-C  
SCALE: 1/2"=1'-0"  
DWG. 522-041-021



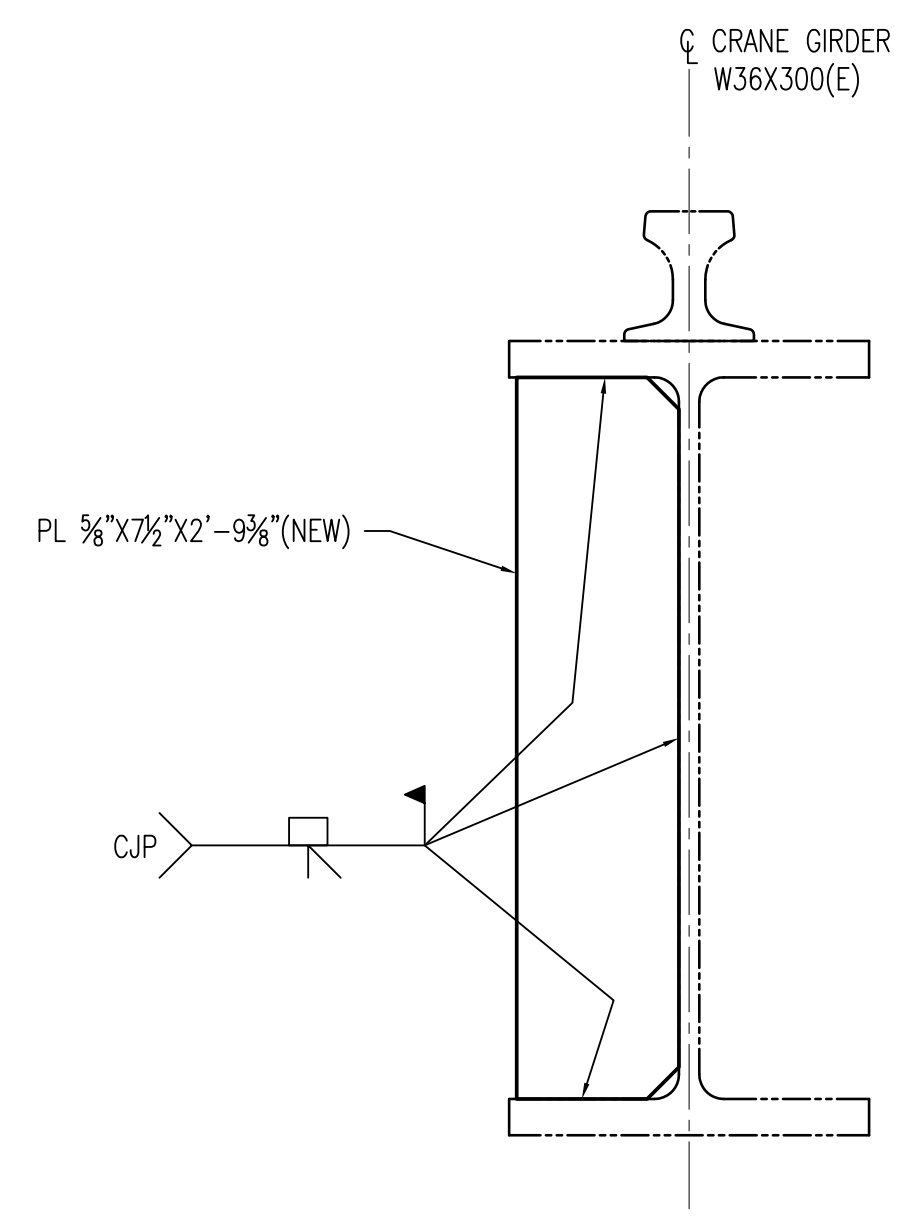
SECTION D-D  
SCALE: 1/2"=1'-0"  
DWG. 522-041-021



SECTION E-E  
SCALE: 1/2"=1'-0"  
DWG. 522-041-021

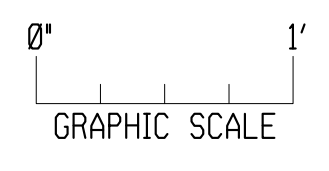


SECTION F-F  
SCALE: 1/2"=1'-0"  
DWG. 522-041-021



SECTION G-G  
SCALE: 1/2"=1'-0"

EC70139 REV. 0  
ATTACHMENT Z120R0  
DWG. NO. 522-041-022



NOTES:  
1. FOR GENERAL NOTES SEE DWG. 522-041-001.

REFERENCES:  
522-041-021

NO.	DESCRIPTION	DRAWN
REVISIONS		
NUCLEAR ENGINEERING		
CRYSTAL RIVER UNIT 3		
AUXILIARY BUILDING - SOUTH STEEL FRAMING MODIFICATIONS DETAILS		
EWN DRAWN	JGC CHKD.	X APRVD.
1/6/11 DATE		NONE SCALE
C DISCP.	022 SHEET	DWG. 522-041
		REV.