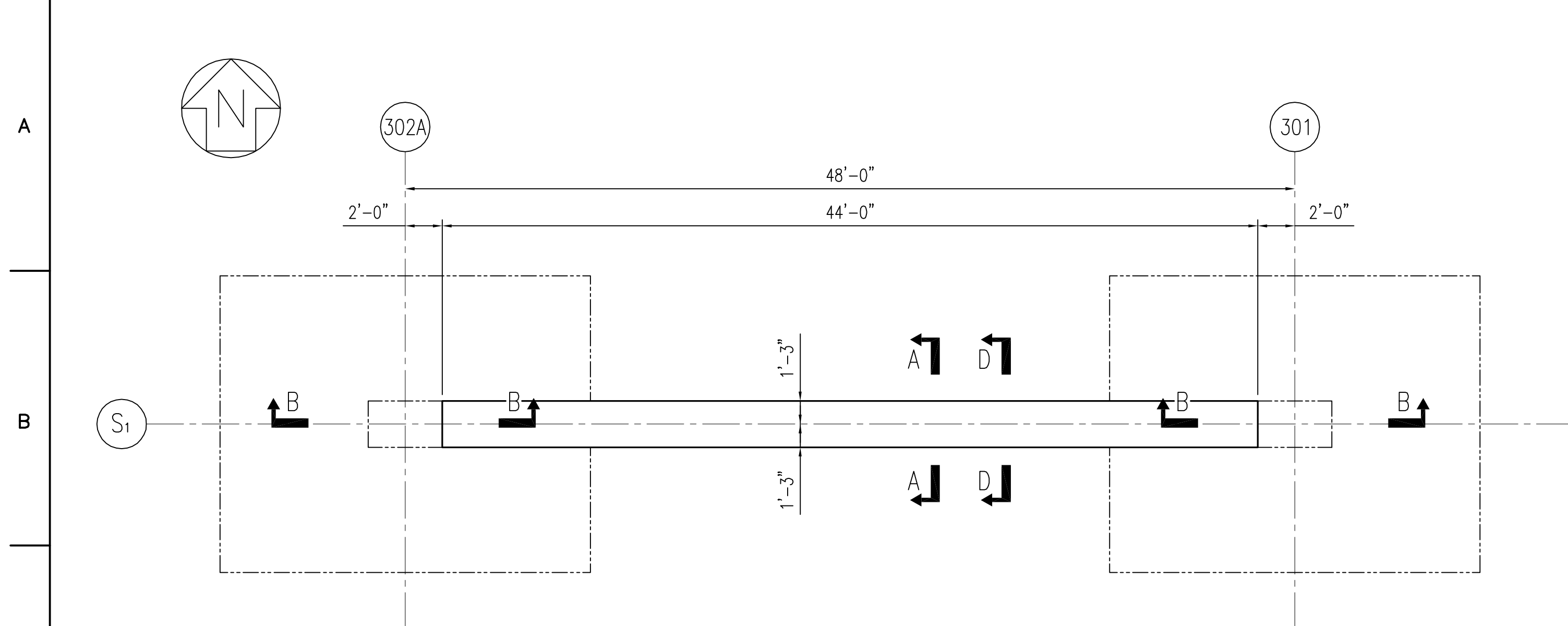
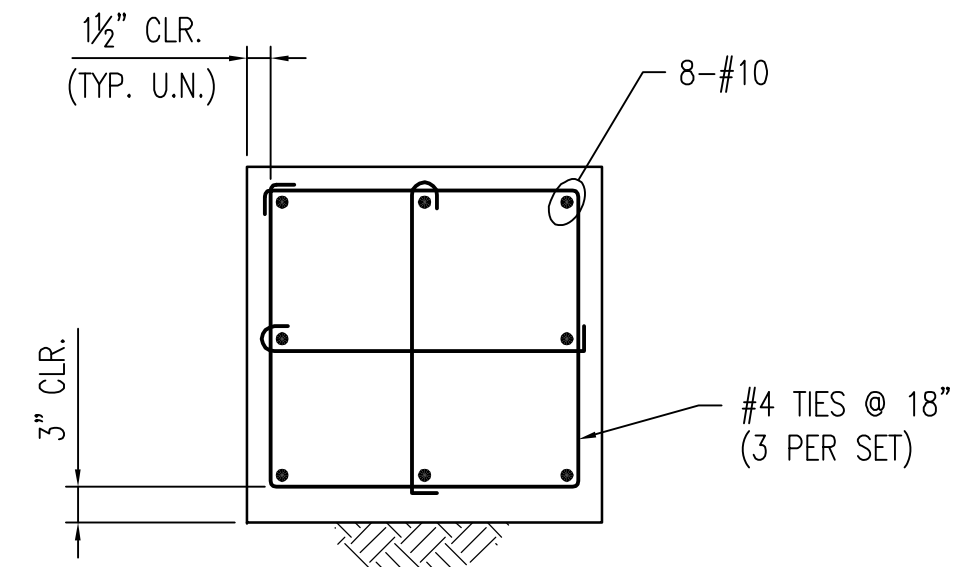


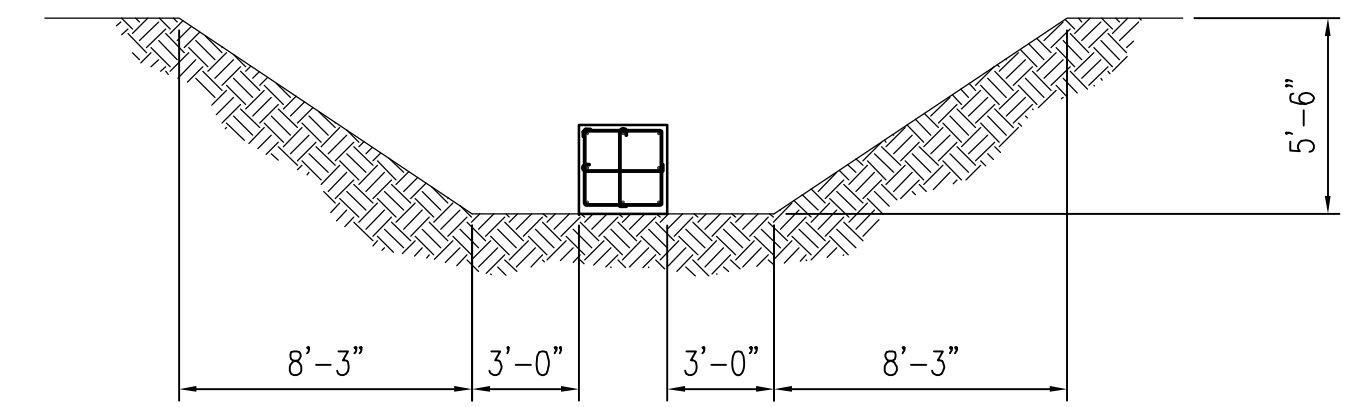
1 2 3 4 5 6 7 8 9 10 KEY NO.: E



DETAIL A
SCALE: 3/16"=1'-0"
DWG. SC-422-005



SECTION A-A
SCALE: 3/4"=1'-0"



SECTION D-D
SCALE: 3/16"=1'-0"

EXCAVATION NOTES:

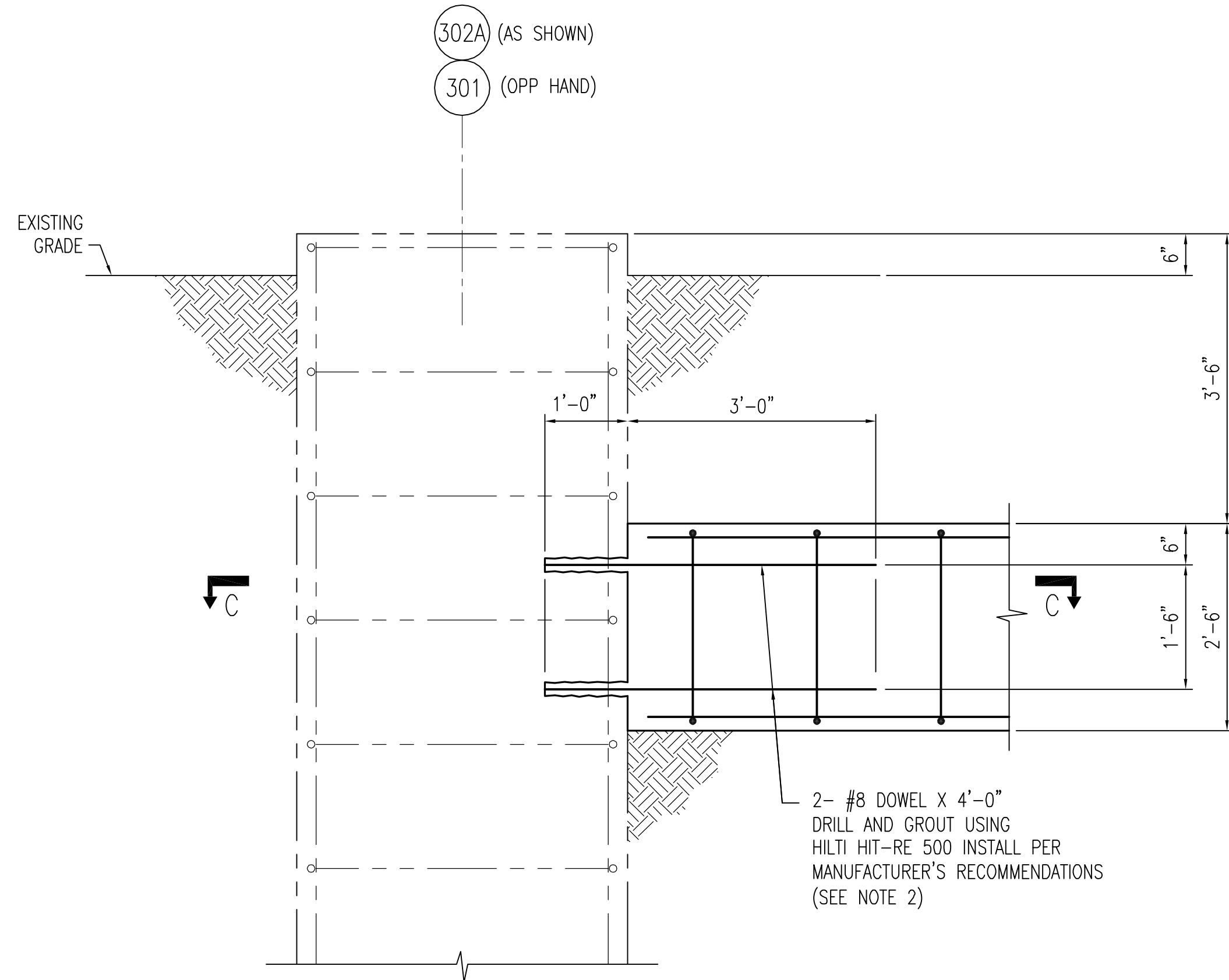
- EXCAVATIONS SHOWN ARE ENGINEER'S SUGGESTION. THE CONTRACTOR SHALL BE RESPONSIBLE FOR THE SELECTION AND PROPER USE OF ADEQUATE PROTECTIVE SYSTEMS NECESSARY FOR EXCAVATION OPERATIONS. THE CONTRACTOR SHALL BE RESPONSIBLE FOR THE CONDITION OF THE EXCAVATIONS AND SHALL PROPERLY AND ADEQUATELY PROTECT THE WORKERS, ANY INSTALLED MATERIAL OR EQUIPMENT, AND ADJACENT STRUCTURES. ALL EXCAVATION WORK SHALL BE DONE IN STRICT ACCORDANCE WITH THE REGULATIONS OF THE UNITED STATES DEPARTMENT OF LABOR'S OCCUPATIONAL SAFETY AND HEALTH ADMINISTRATION, 29 CFR PART 1926, OCCUPATIONAL SAFETY STANDARDS, SUBPART P-EXCAVATIONS. EXCAVATED MATERIAL SHALL BE STOCKPILED FOR BACKFILLING OPERATIONS.
- GRADING SHALL BE DONE AS NECESSARY TO PREVENT SURFACE WATER FROM FLOWING INTO EXCAVATIONS. ANY WATER ACCUMULATING THEREIN SHALL BE REMOVED BY PUMPING OR OTHER SUITABLE METHODS, AND THE AREA KEPT DEWATERED UNTIL CONSTRUCTION IS COMPLETE.
- BACKFILLING SHALL NOT BEGIN UNTIL FORMS, TRASH, AND DEBRIS HAVE BEEN REMOVED. BACKFILLING SHALL BE DELAYED UNTIL THE CONCRETE HAS SET SUFFICIENTLY TO SUPPORT THE BACKFILL. MATERIAL FREE OF ROCK, LUMBER, AND DEBRIS SHALL BE COMPACTED SYMMETRICALLY ON ALL SIDES IN 8-INCH MAXIMUM LAYERS.
- THE REQUIREMENTS OF MNT-NGCC-0024 SHALL BE FOLLOWED FOR EXCAVATION.

NOTES:

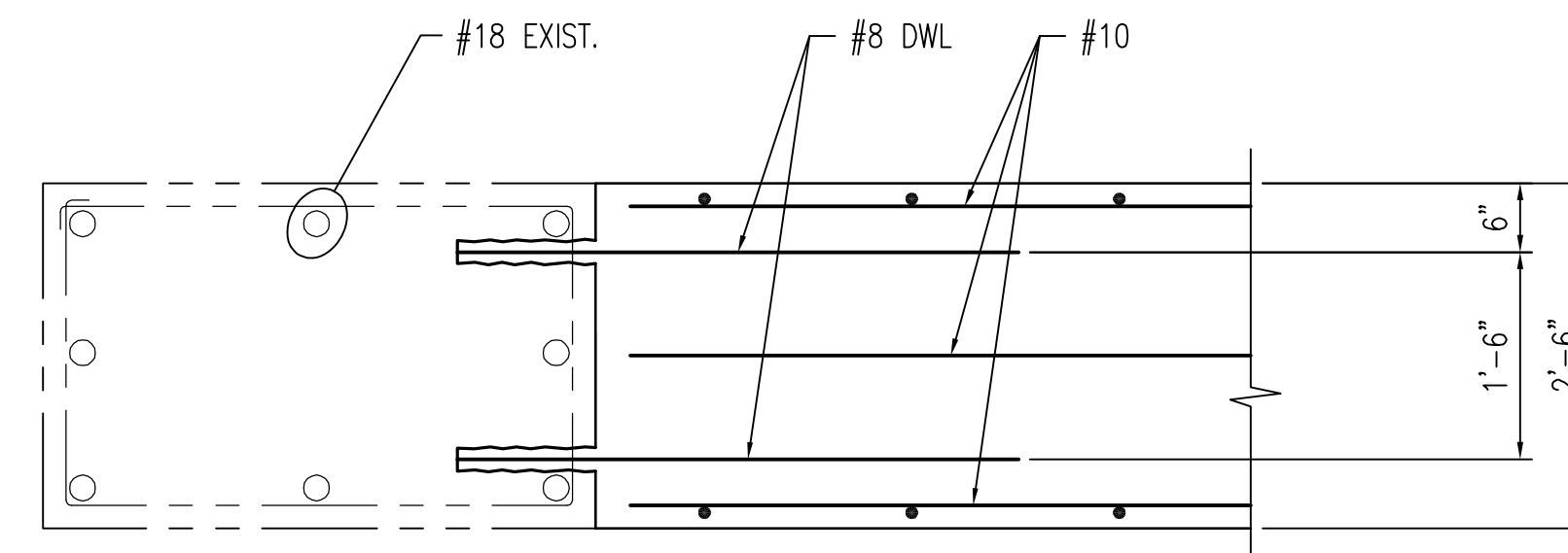
- FIELD TO LOCATE EXISTING REINFORCEMENT STEEL PRIOR TO INSTALLING NEW REINFORCEMENT STEEL. CUTTING REINFORCEMENT IN THE FIELD IS PROHIBITED UNLESS AUTHORIZED BY PLANT ENGINEER.
- CONCRETE SHALL DEVELOP A MINIMUM COMPRESSIVE STRENGTH OF 4000PSI AND SHALL BE PLACED IN ACCORDANCE WITH ACI-301.
- REINFORCING STEEL SHALL BE DEFORMED BARS CONFORMING TO ASTM A615 GRADE60.
- REF. 422-005 FOR ORIGINAL AUXILIARY BUILDING CONCRETE GENERAL NOTES.

REFERENCES:

422-005



SECTION B-B
SCALE: 3/4"=1'-0"



SECTION C-C
SCALE: 3/4"=1'-0"

EC70139 REV. 0
ATTACHMENT Z119R0
DWG. NO. 422-057-001

| NO. | DESCRIPTION | DRAWN |
|---|-----------------|---------------|
| REVISIONS | | |
| NUCLEAR ENGINEERING | | |
| CRYSTAL RIVER UNIT 3 | | |
| AUXILIARY BUILDING - SOUTH COLUMN MODIFICATIONS DETAILS | | |
| EWN DRAWN | MPB CHKD. | X APRVD. |
| | 12/9/10 DATE | NQNE SCALE |
| C DISCP. | 001 SHEET | DWG. |
| | 422-057 | Q REV. |