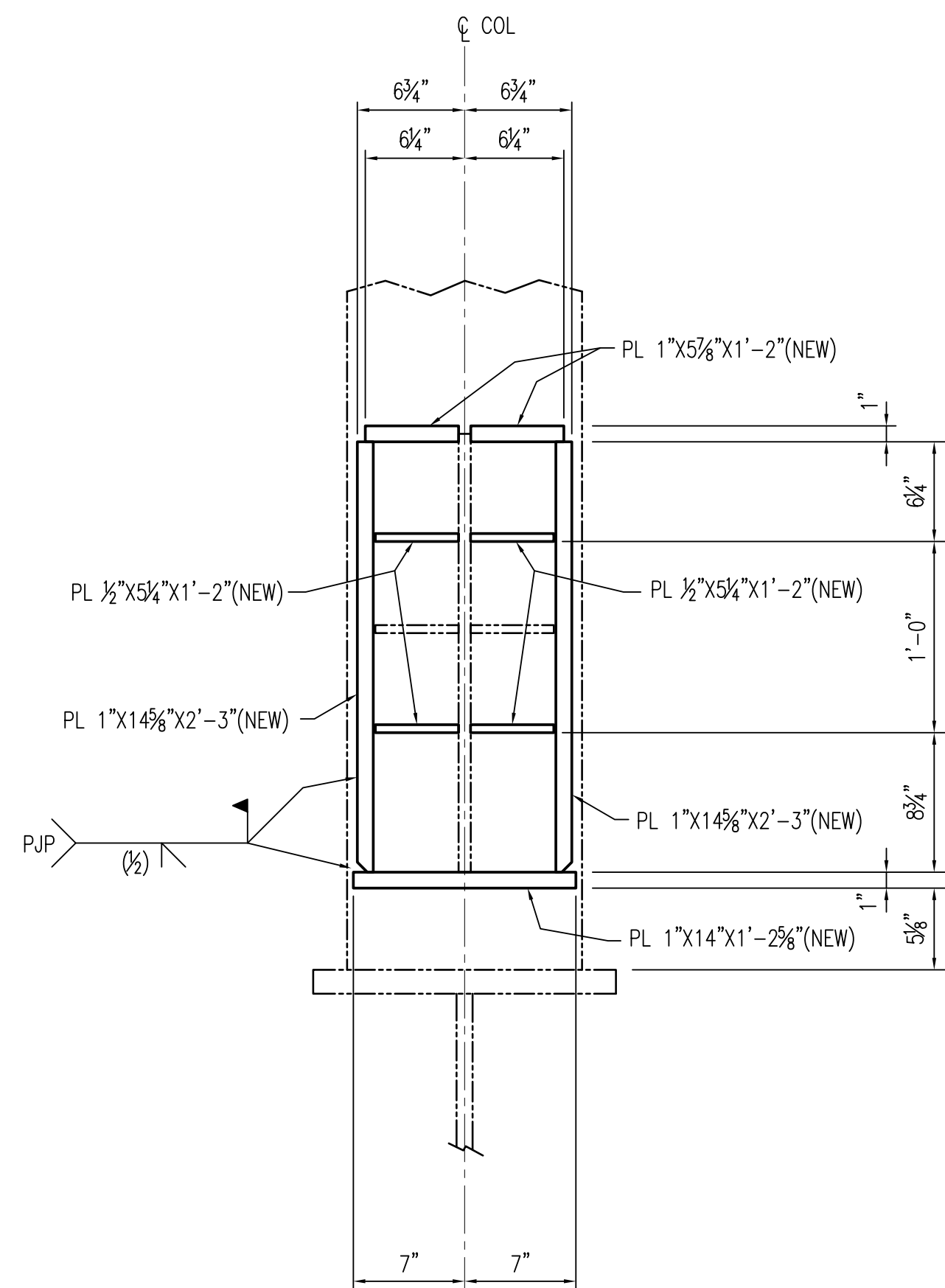
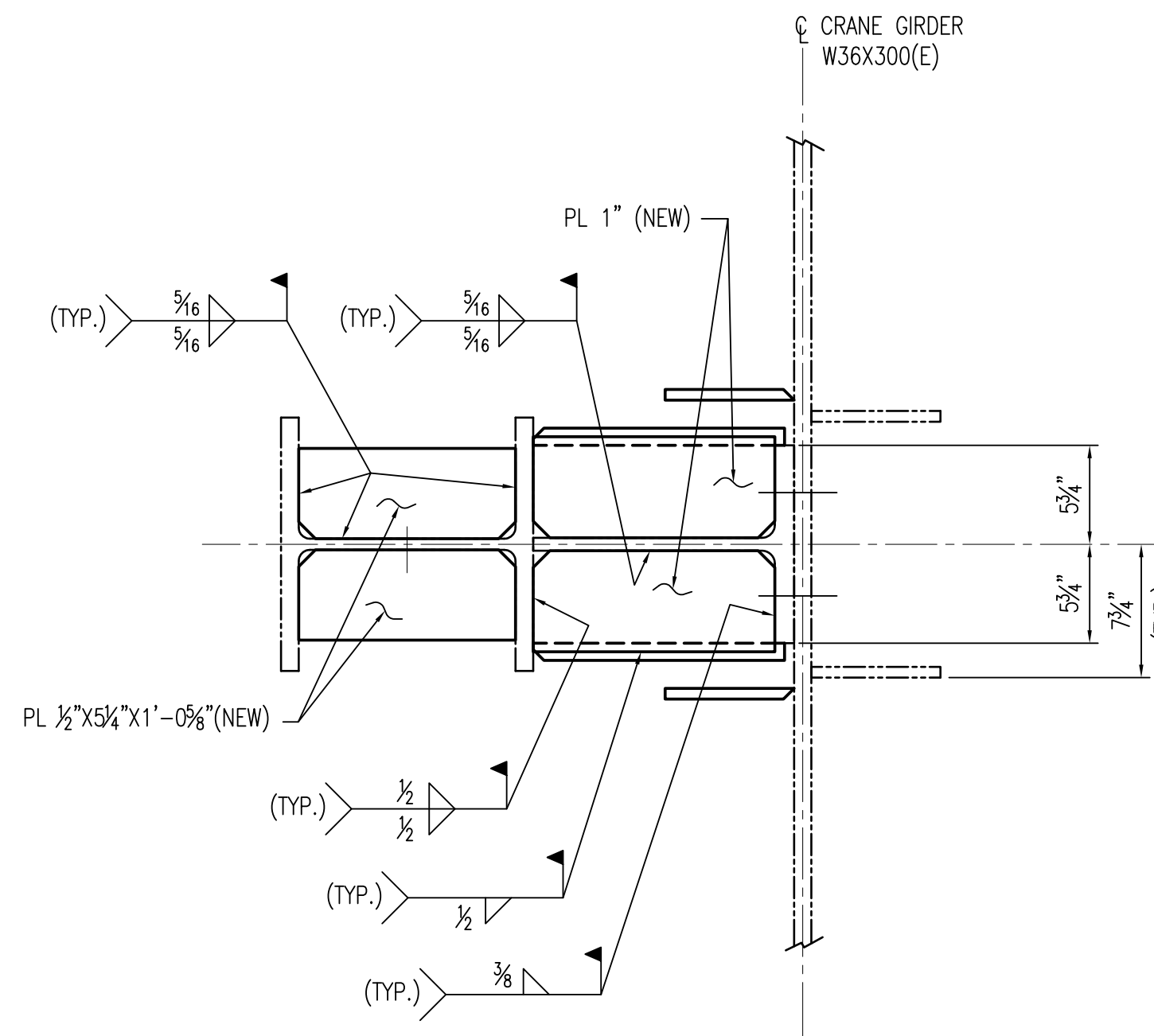


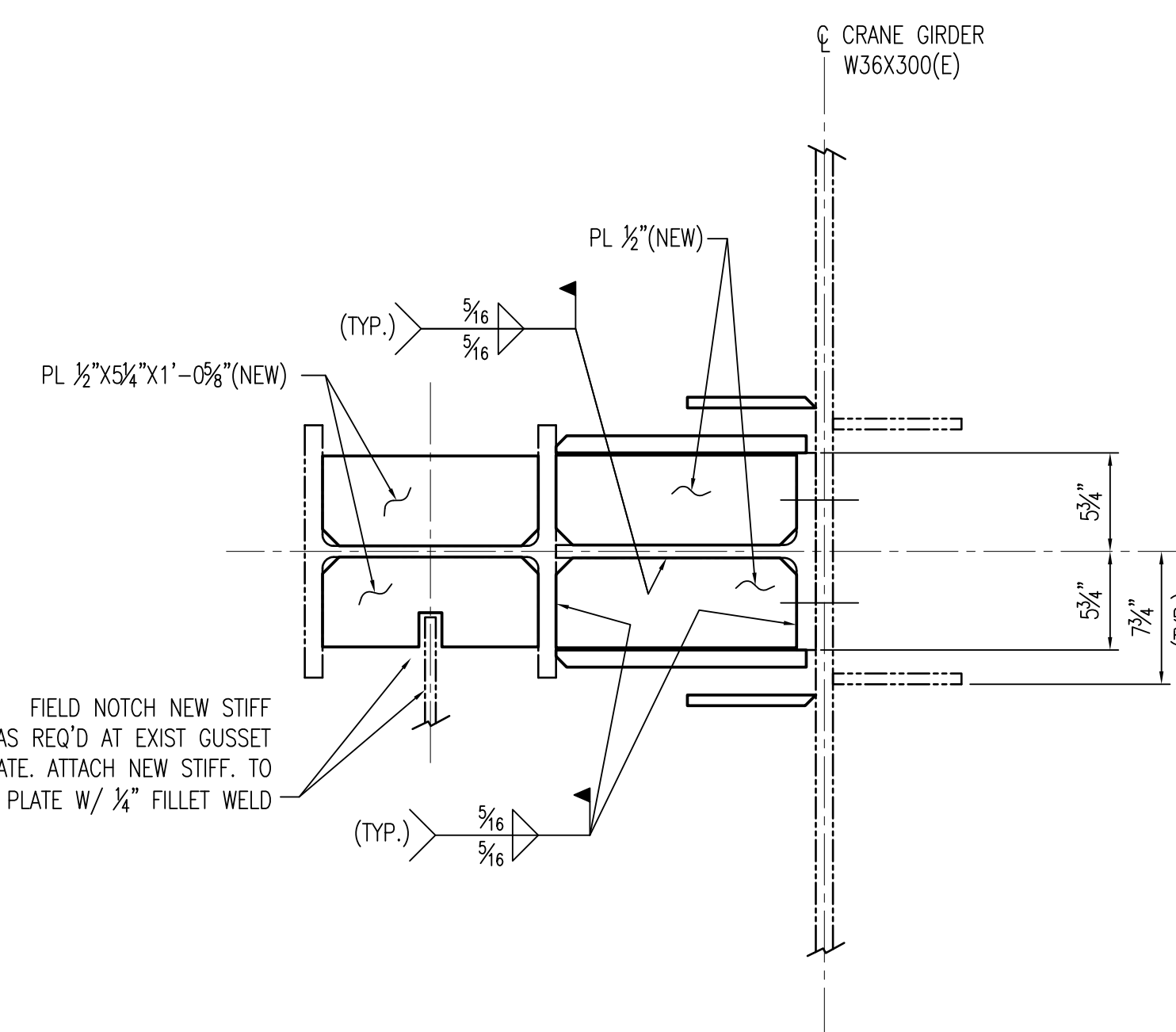
SECTION A-A
SCALE: 1/2"=1'-0"
DWG. 521-142-005



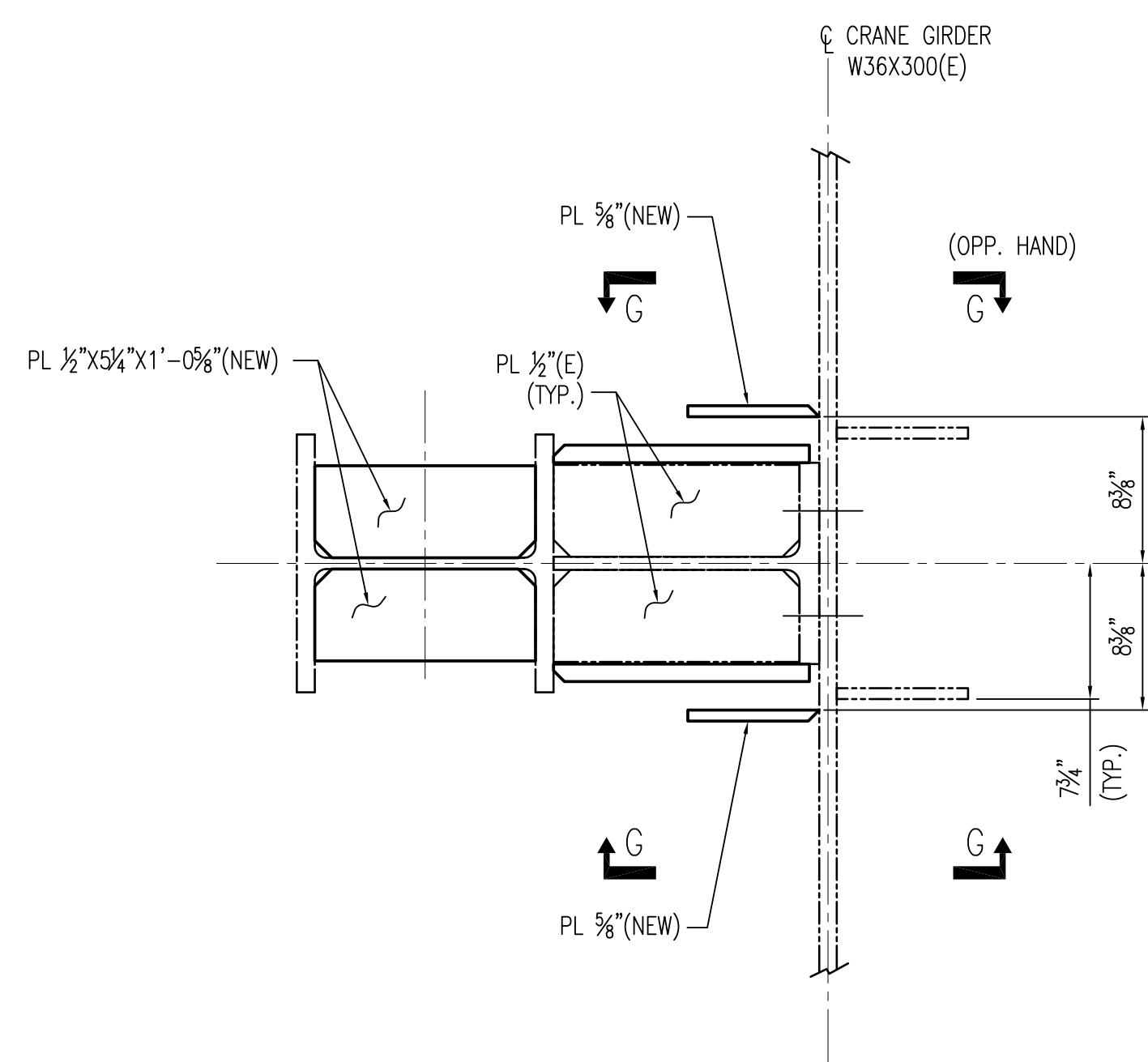
SECTION B-B
SCALE: 1/2"=1'-0"
DWG. 521-142-005



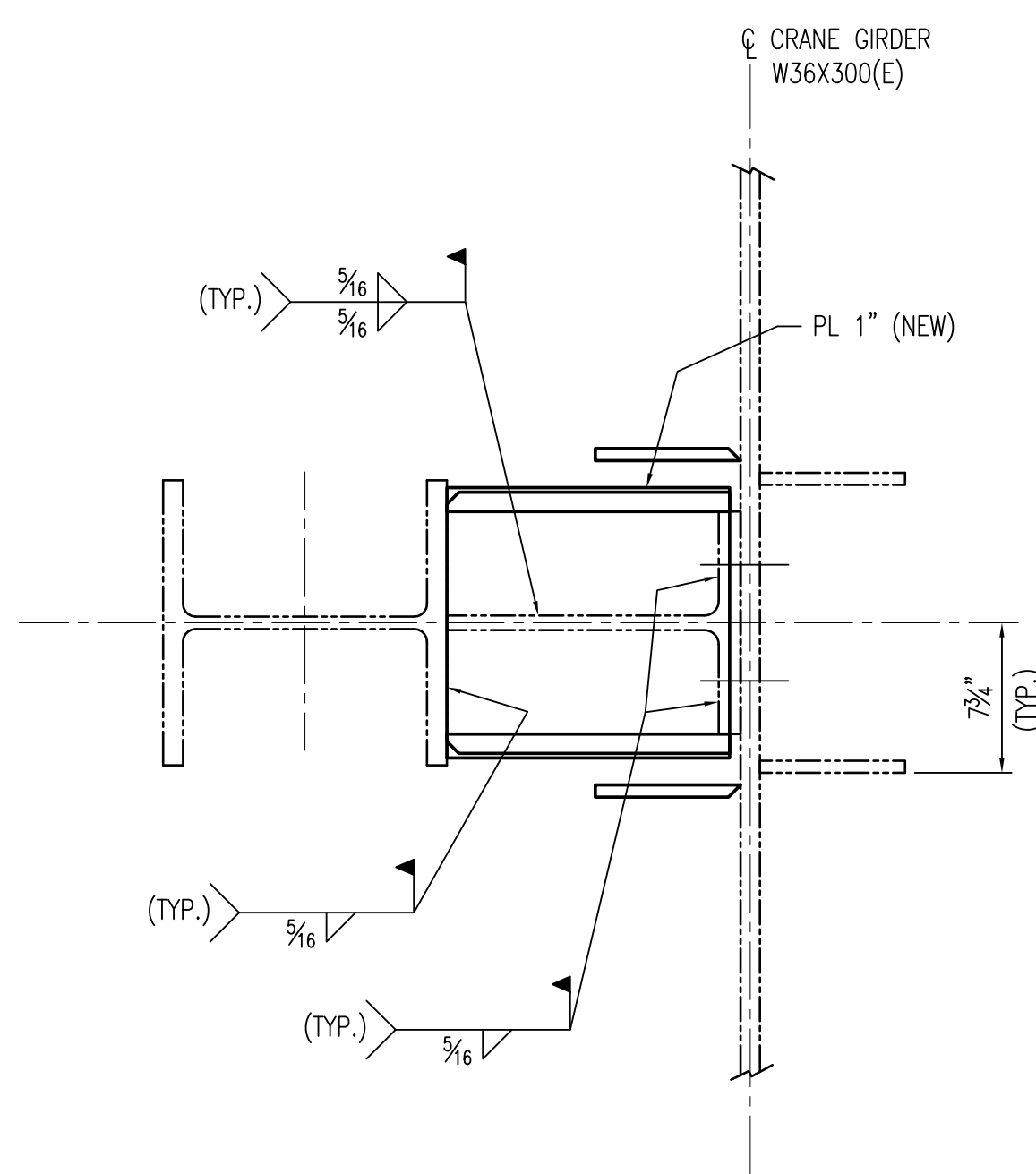
SECTION C-C
SCALE: 1/2"=1'-0"
DWG. 521-142-005



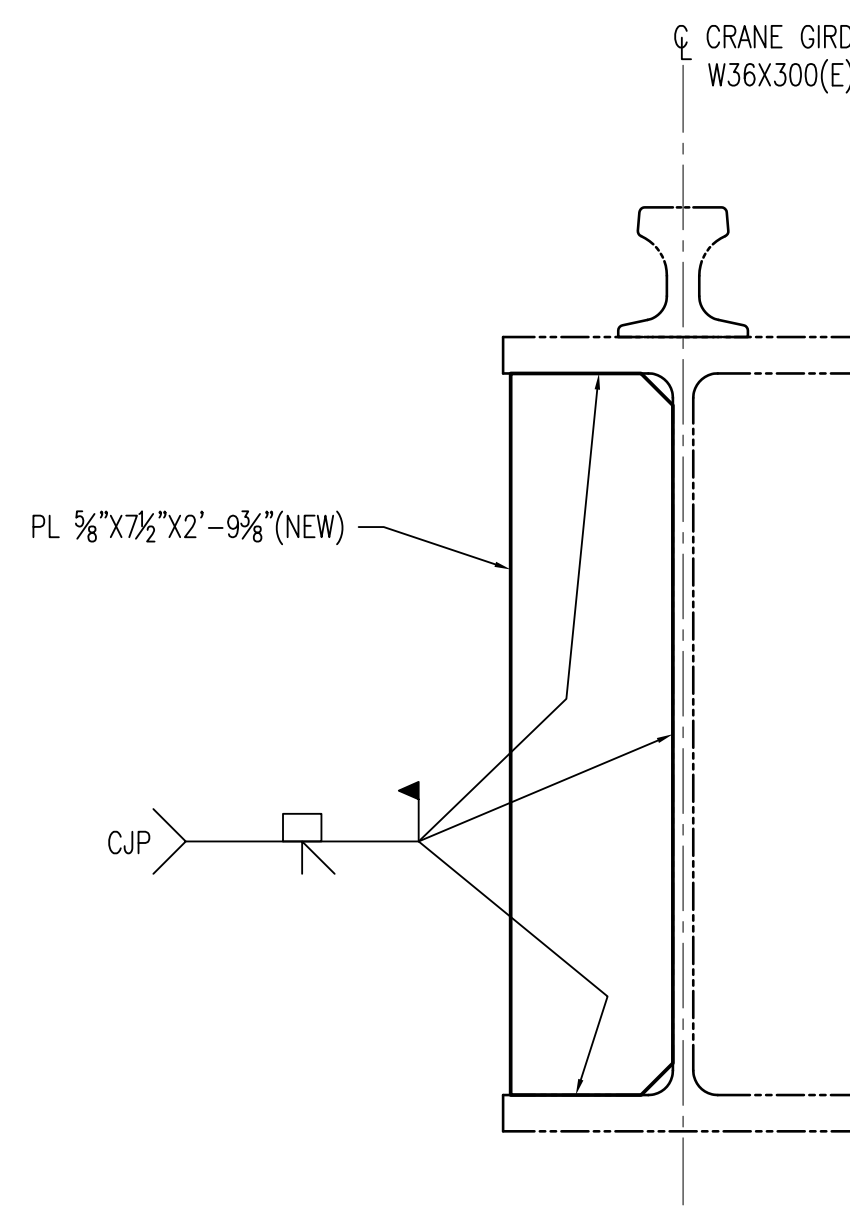
SECTION D-D
SCALE: 1/2"=1'-0"
DWG. 521-142-005



SECTION E-E
SCALE: 1/2"=1'-0"
DWG. 521-142-005

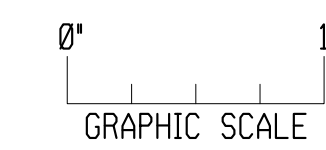


SECTION F-F
SCALE: 1/2"=1'-0"
DWG. 521-142-005



SECTION G-G
SCALE: 1/2"=1'-0"

EC70139 REV. 0
ATTACHMENT Z118R0
DWG. NO. 521-142-006



NOTES:
1. FOR GENERAL NOTES SEE DWG. 522-041-001.

REFERENCES:
521-142-005

NO.		DESCRIPTION		DRAWN
REVISIONS				
NUCLEAR ENGINEERING				
CRYSTAL RIVER UNIT 3				
AUXILIARY BUILDING - NORTH STEEL FRAMING MODIFICATIONS DETAILS				
EWN	JGC	X	1/6/11	NONE
DRAWN	CHKD.	APRVD.	DATE	SCALE
C	006	DWG.	521-142	REV.
DISCP.	SHEET	DWG.		