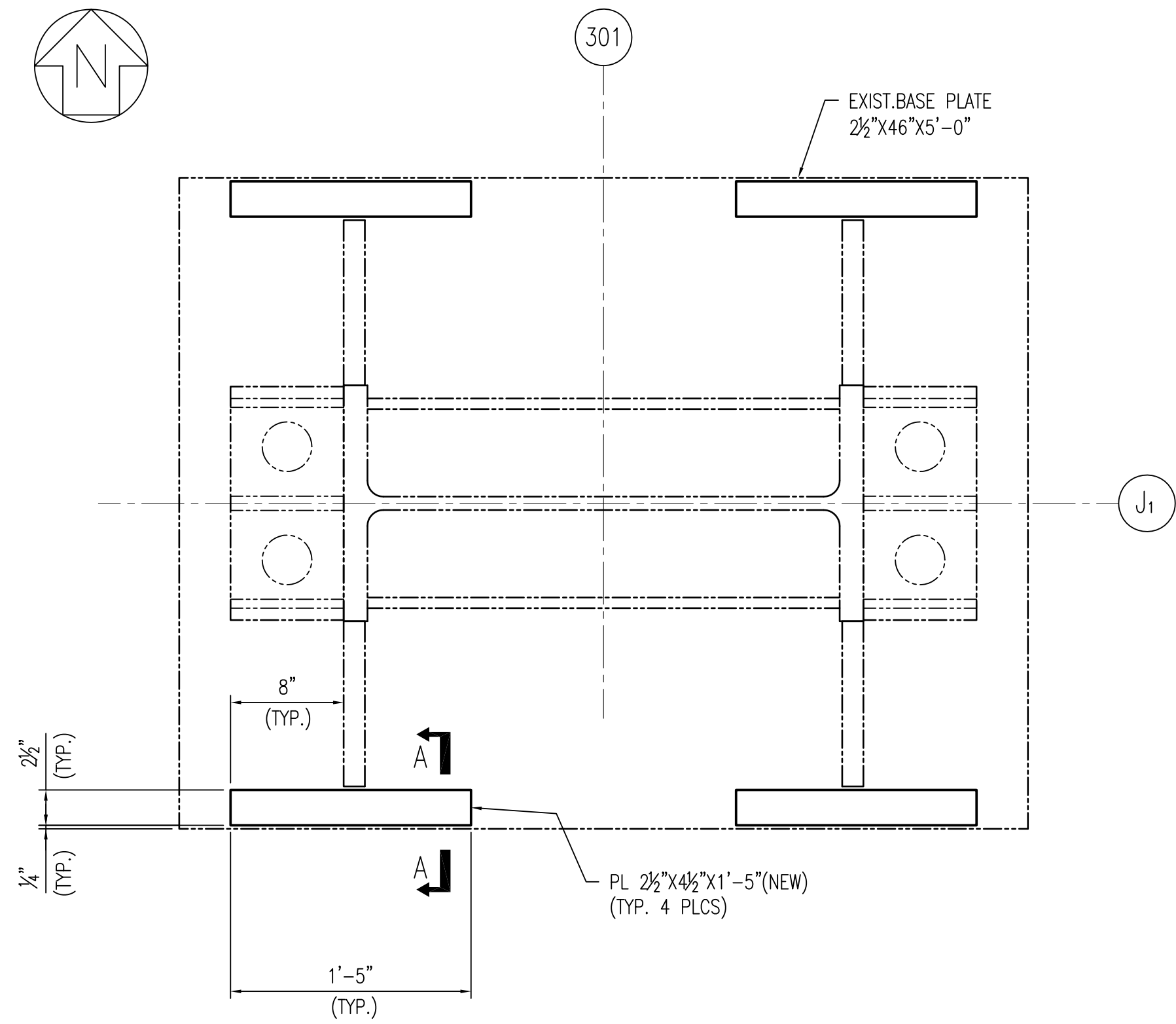
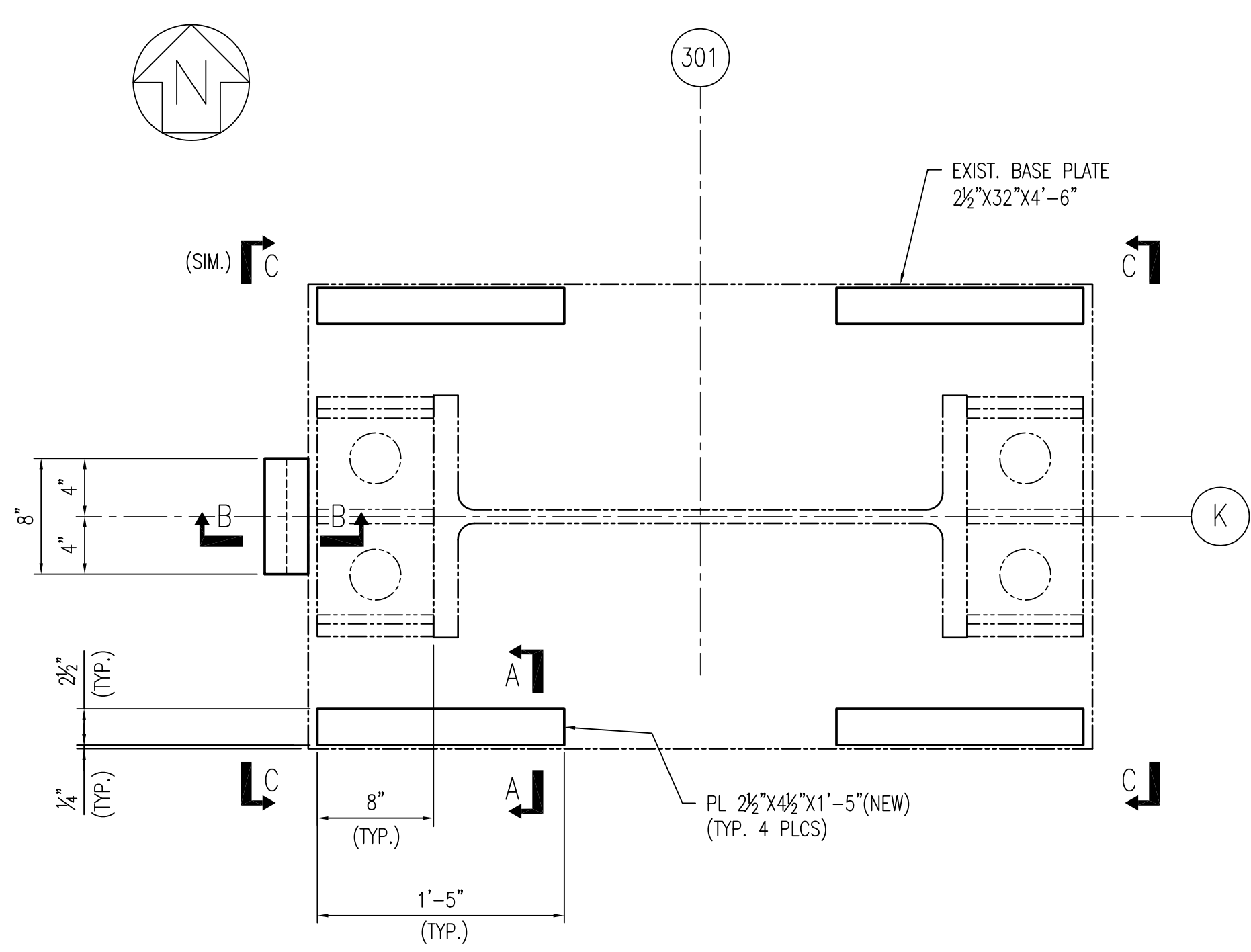


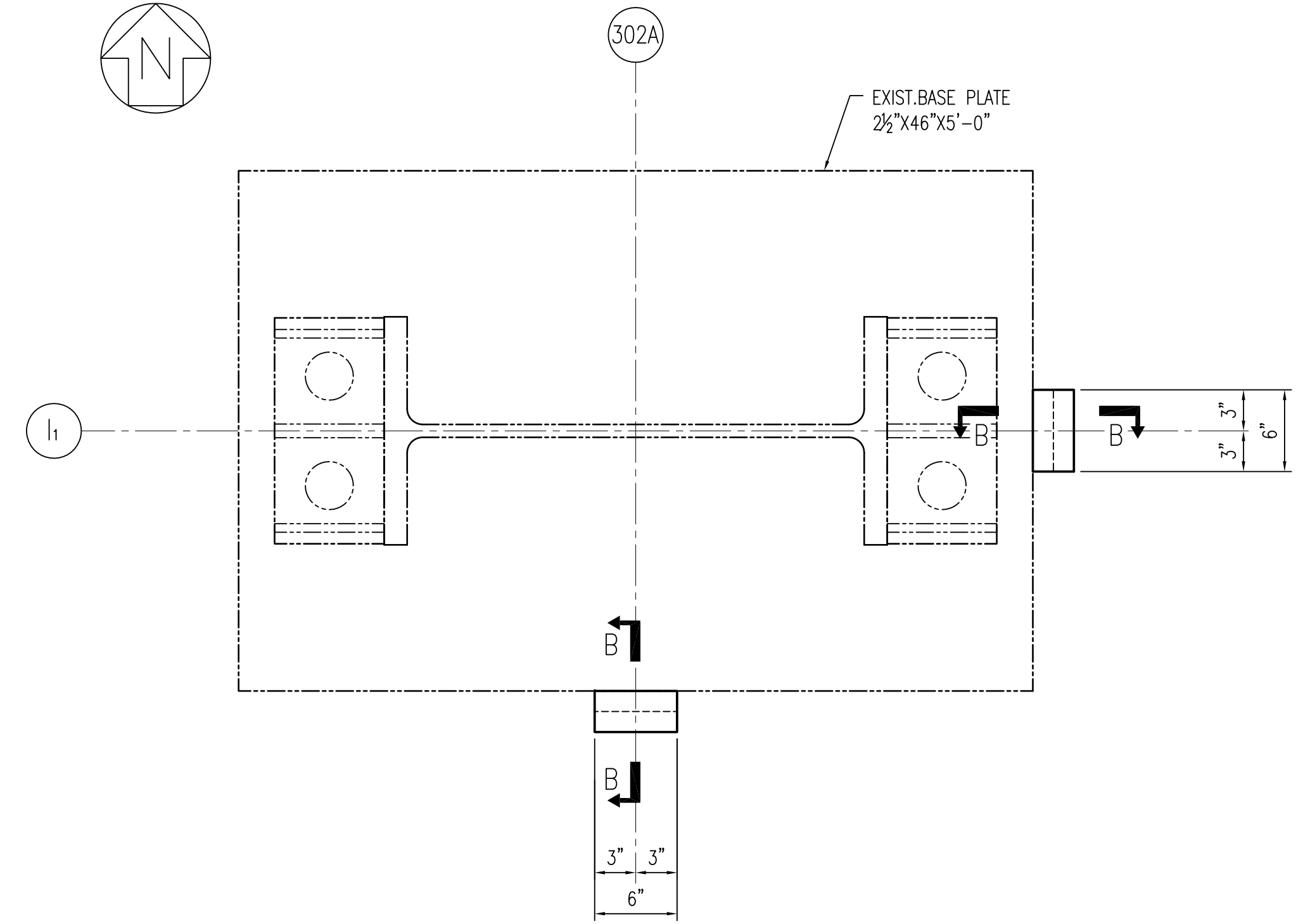
DETAIL A
SCALE: 1½"=1'-0"
DWG. 521-142-003



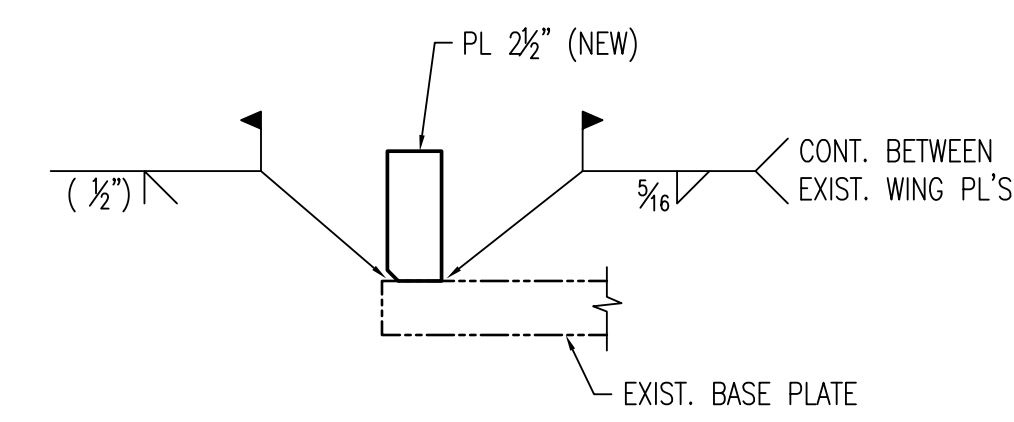
DETAIL C
SCALE: 1½"=1'-0"
DWG. 521-142-003



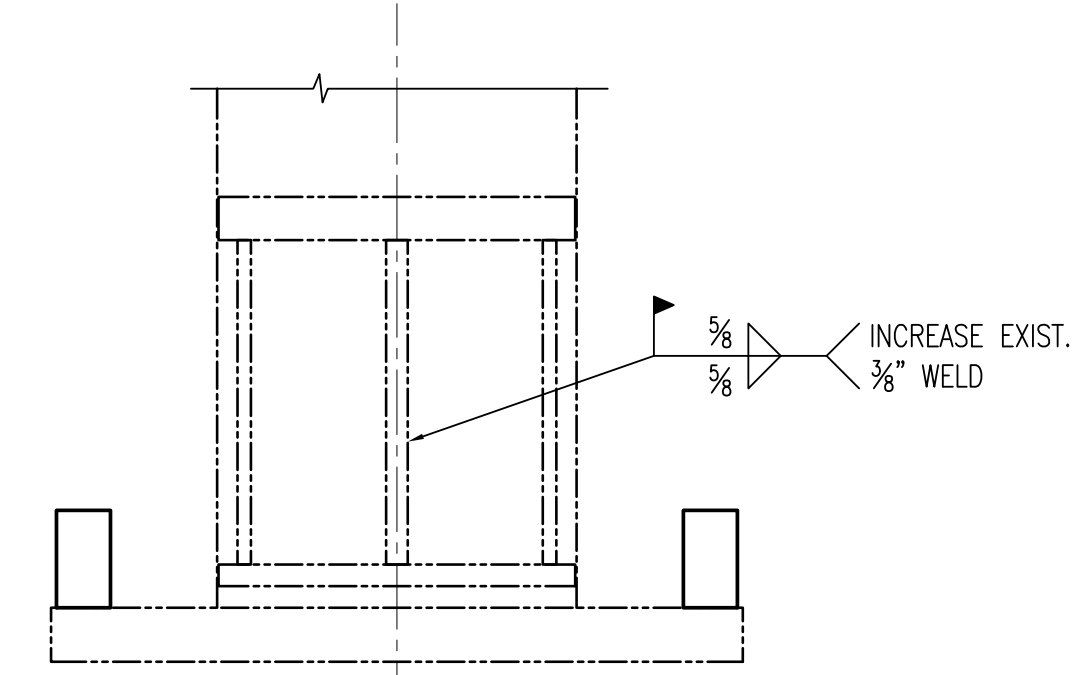
DETAIL D
SCALE: 1½"=1'-0"
DWG. 521-142-003



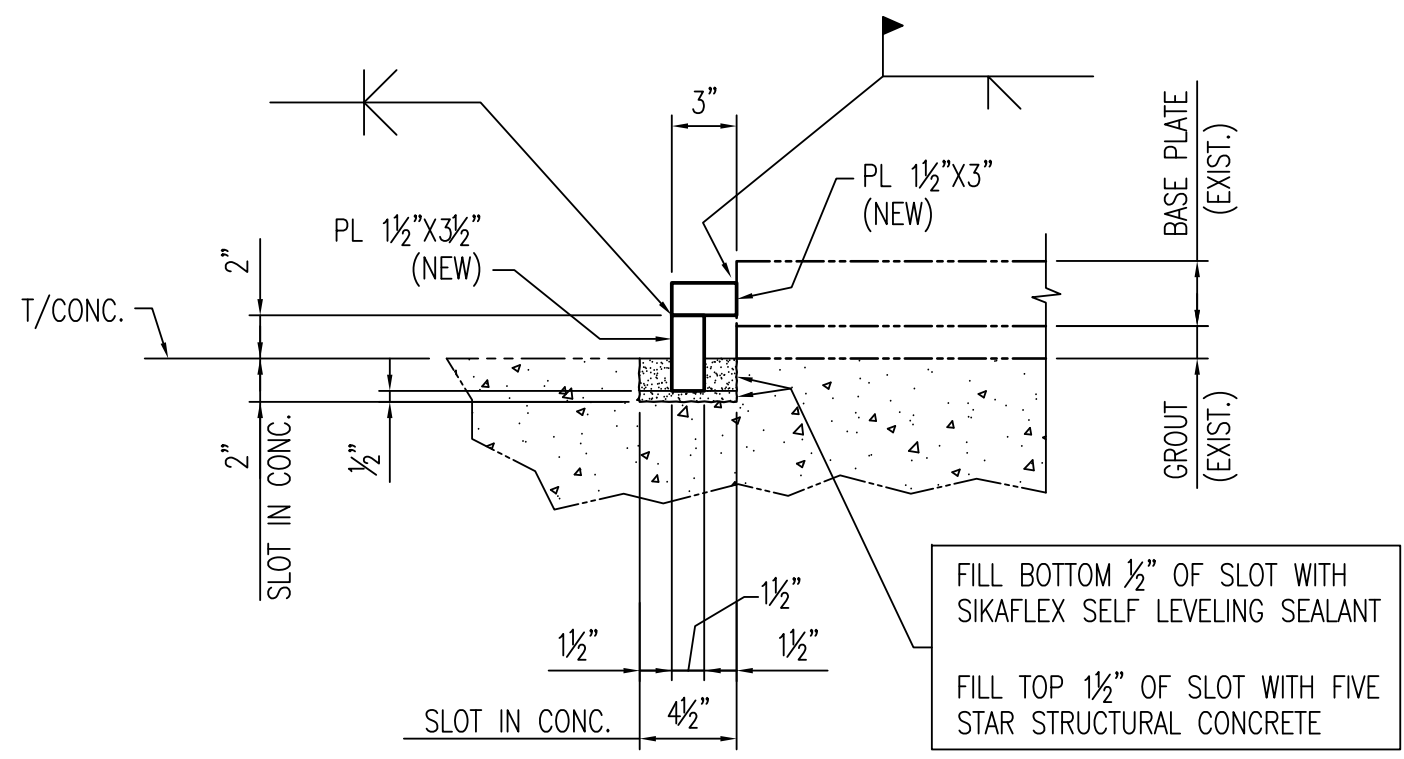
DETAIL B
SCALE: 1½"=1'-0"
DWG. 521-142-003



SECTION A-A
SCALE: 1½"=1'-0"

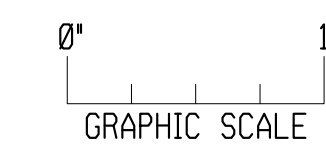


SECTION C-C
SCALE: 1½"=1'-0"



SECTION B-B
SCALE: 1½"=1'-0"
NO REBAR SHALL BE CUT WITHOUT PRIOR ENGINEERING APPROVAL

EC70139 REV. 0
ATTACHMENT Z110R0
DWG. NO. 521-142-004



NOTES:
1. FOR GENERAL NOTES SEE DWG. 522-041-001.
REFERENCES:
521-142-003

NO.	DESCRIPTION	DRAWN
REVISIONS		
NUCLEAR ENGINEERING		
CRYSTAL RIVER UNIT 3		
AUXILIARY BUILDING - NORTH STEEL FRAMING MODIFICATIONS DETAILS		
EWN DRAWN	MPB CHKD.	X APRVD.
12/9/10 DATE		NONE SCALE
004 SHEET		521-142 DWG.
C DISCP.		Q REV.