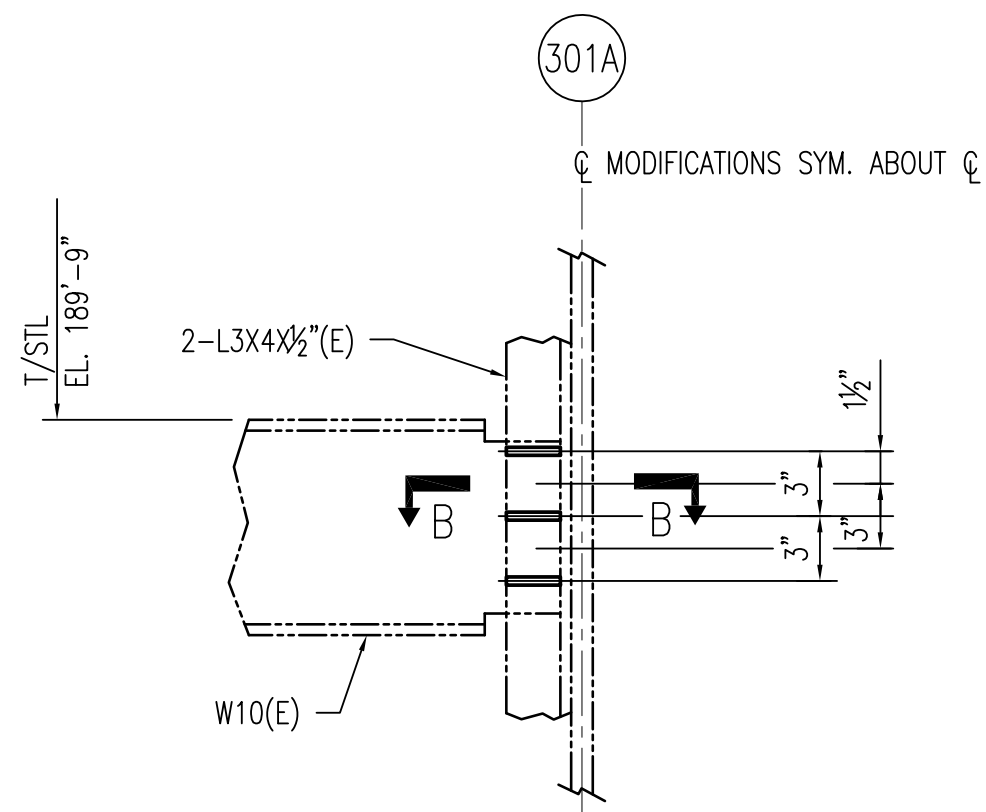
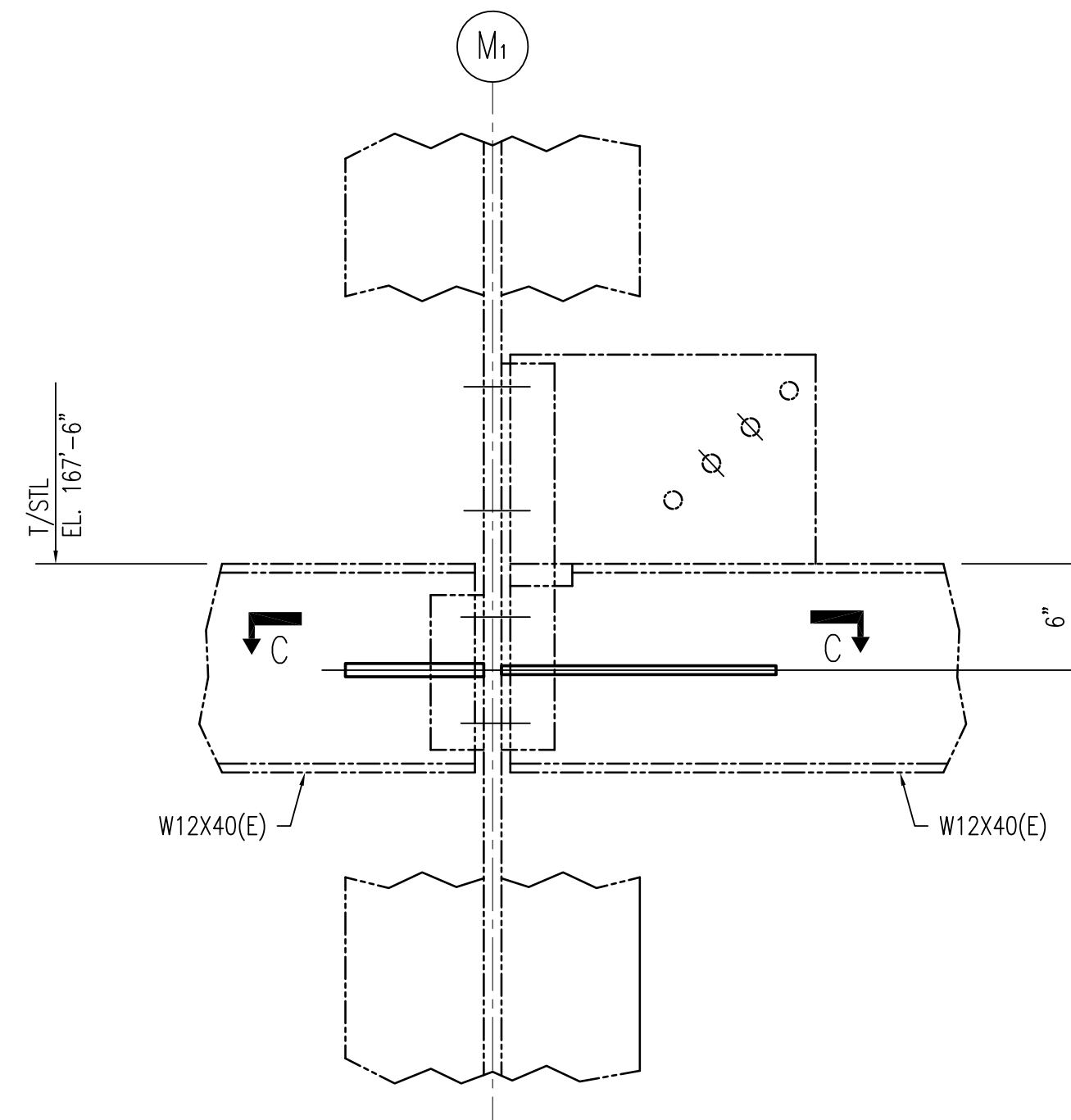


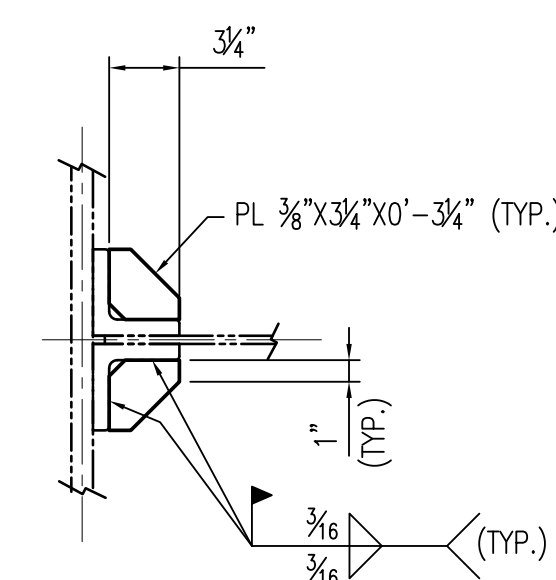
DETAIL 1  
SCALE: 1 1/2"=1'-0"  
DWG. S-522-004



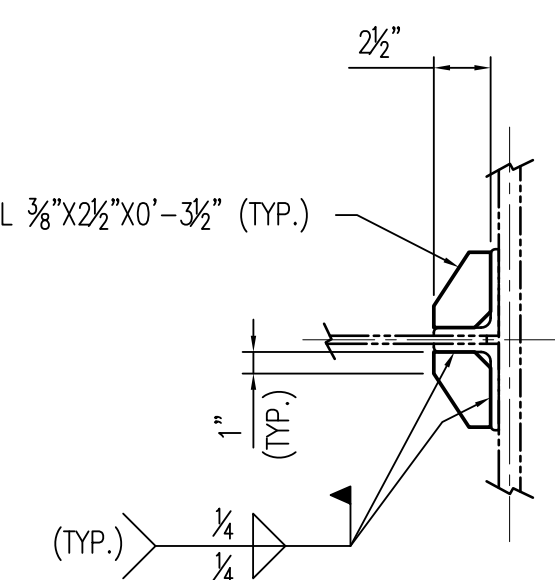
DETAIL 2  
SCALE: 1 1/2"=1'-0"  
DWG. 522-041-001



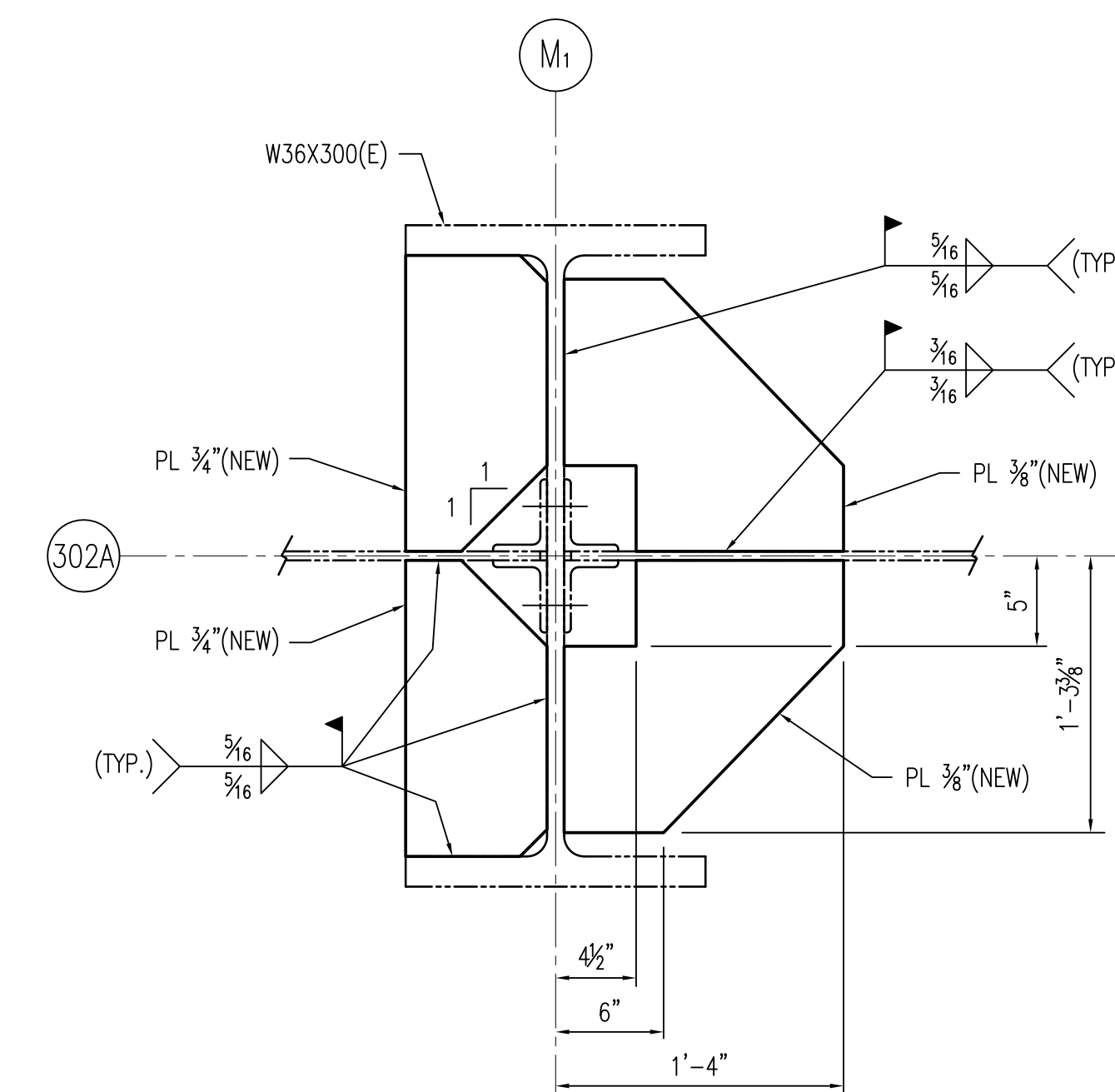
DETAIL 3  
SCALE: 1 1/2"=1'-0"  
DWG. 522-041-001



SECTION A-A  
SCALE: 1 1/2"=1'-0"



SECTION B-B  
SCALE: 1 1/2"=1'-0"

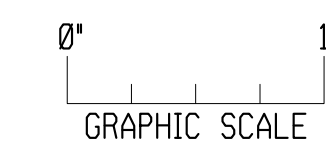


SECTION C-C  
SCALE: 1 1/2"=1'-0"

NOTES:  
1. FOR GENERAL NOTES SEE DWG. 522-041-001.

REFERENCES:  
522-004  
522-041-001

EC70139 REV. 0  
ATTACHMENT Z104R0  
DWG. NO. 522-041-017



NO.	DESCRIPTION	DRAWN
REVISIONS		
NUCLEAR ENGINEERING		
CRYSTAL RIVER UNIT 3		
AUXILIARY BUILDING - SOUTH STEEL FRAMING MODIFICATIONS DETAILS		
EWN DRAWN	MPB CHKD.	X APRVD.
		12/9/10 DATE
		NONE SCALE
C DISCP.	017 SHEET	DWG. 522-041
		REV. 0