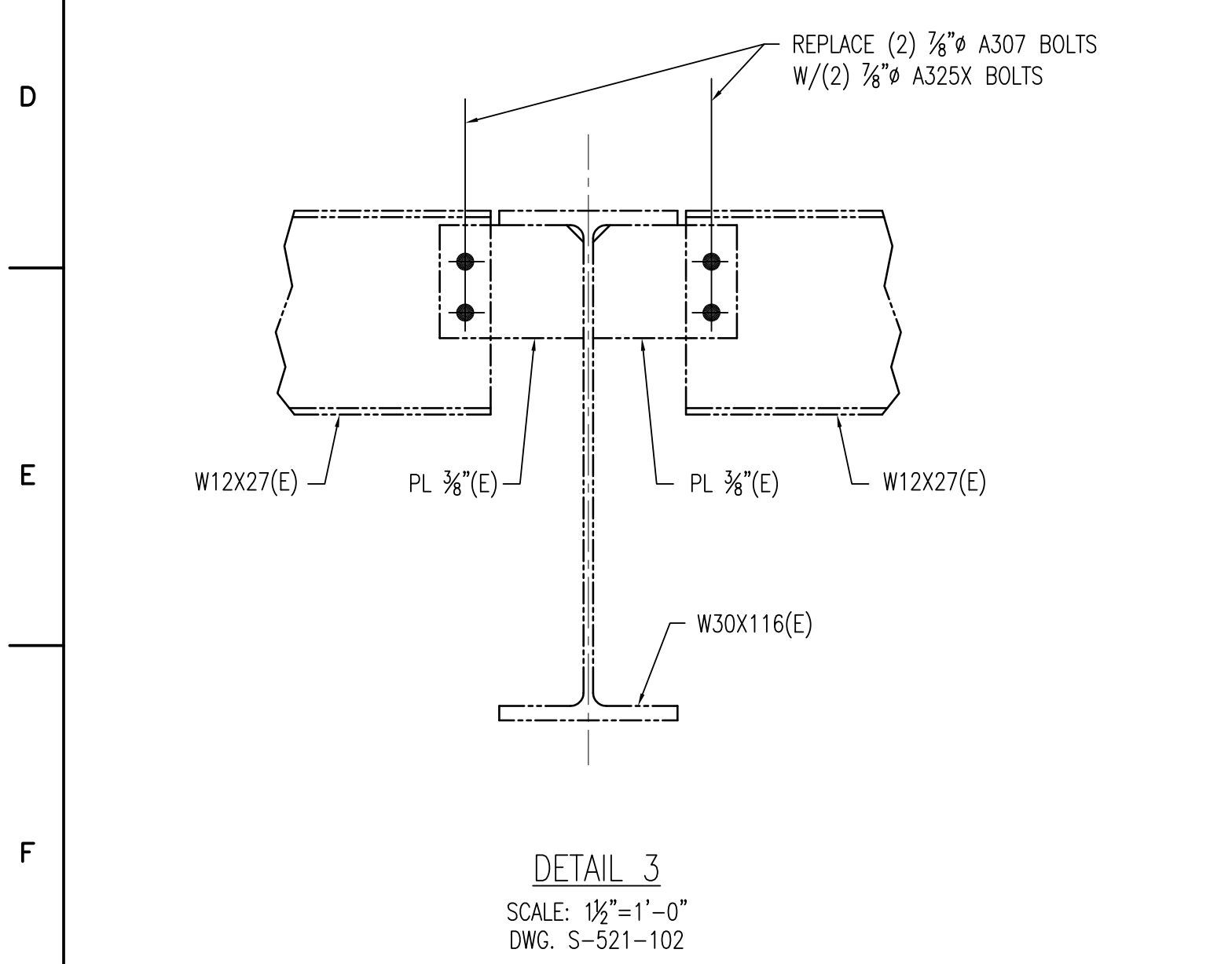
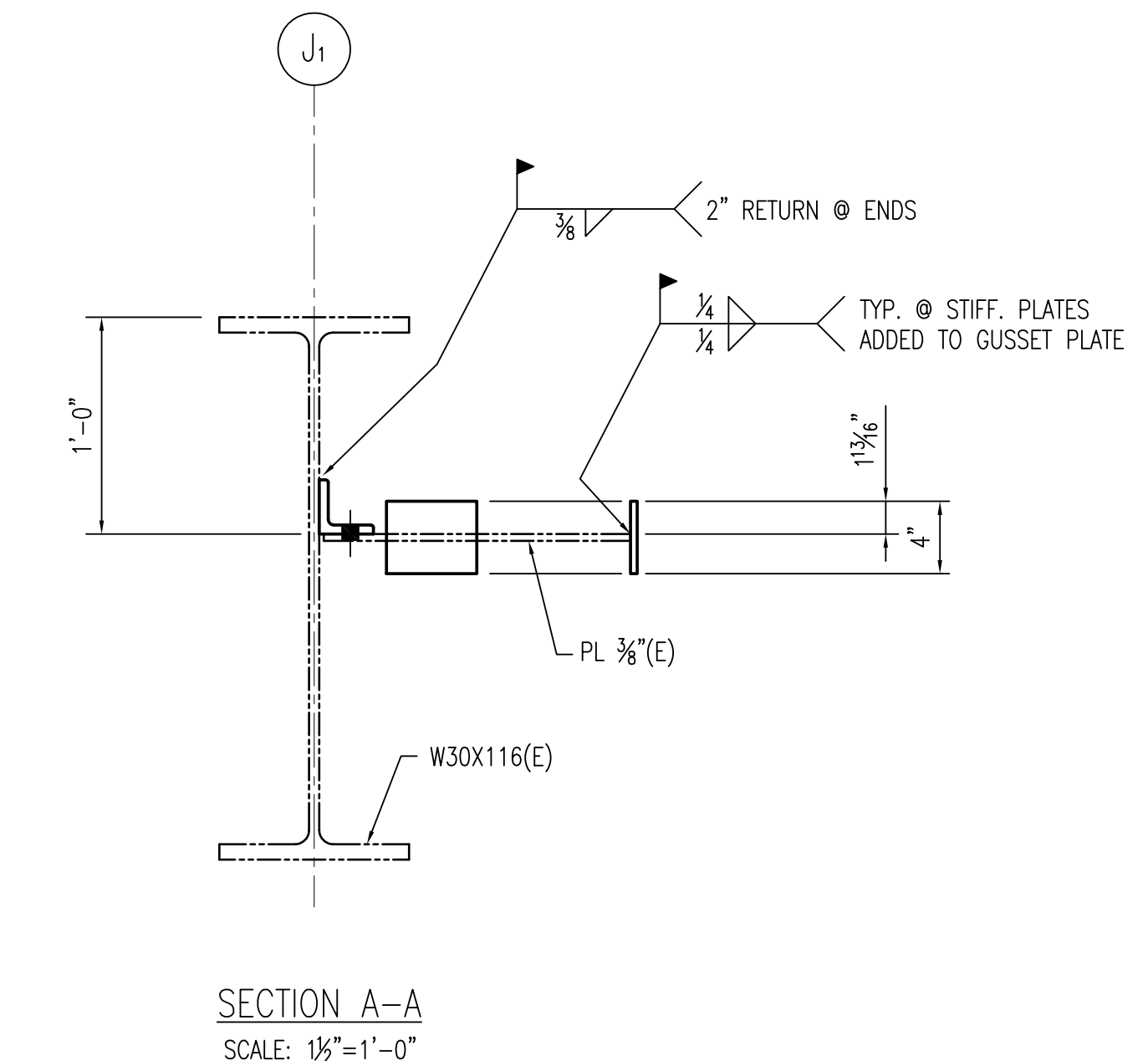
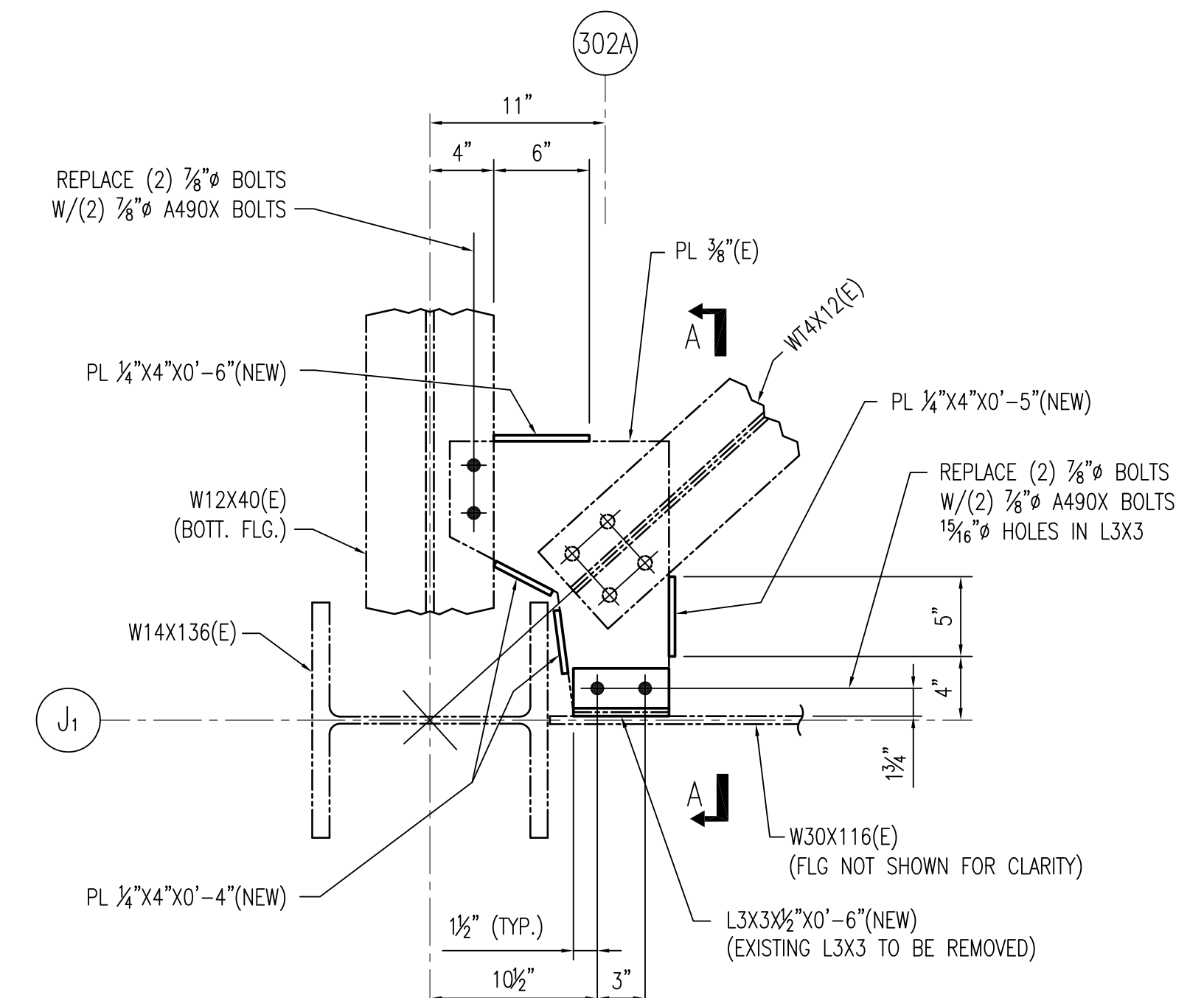
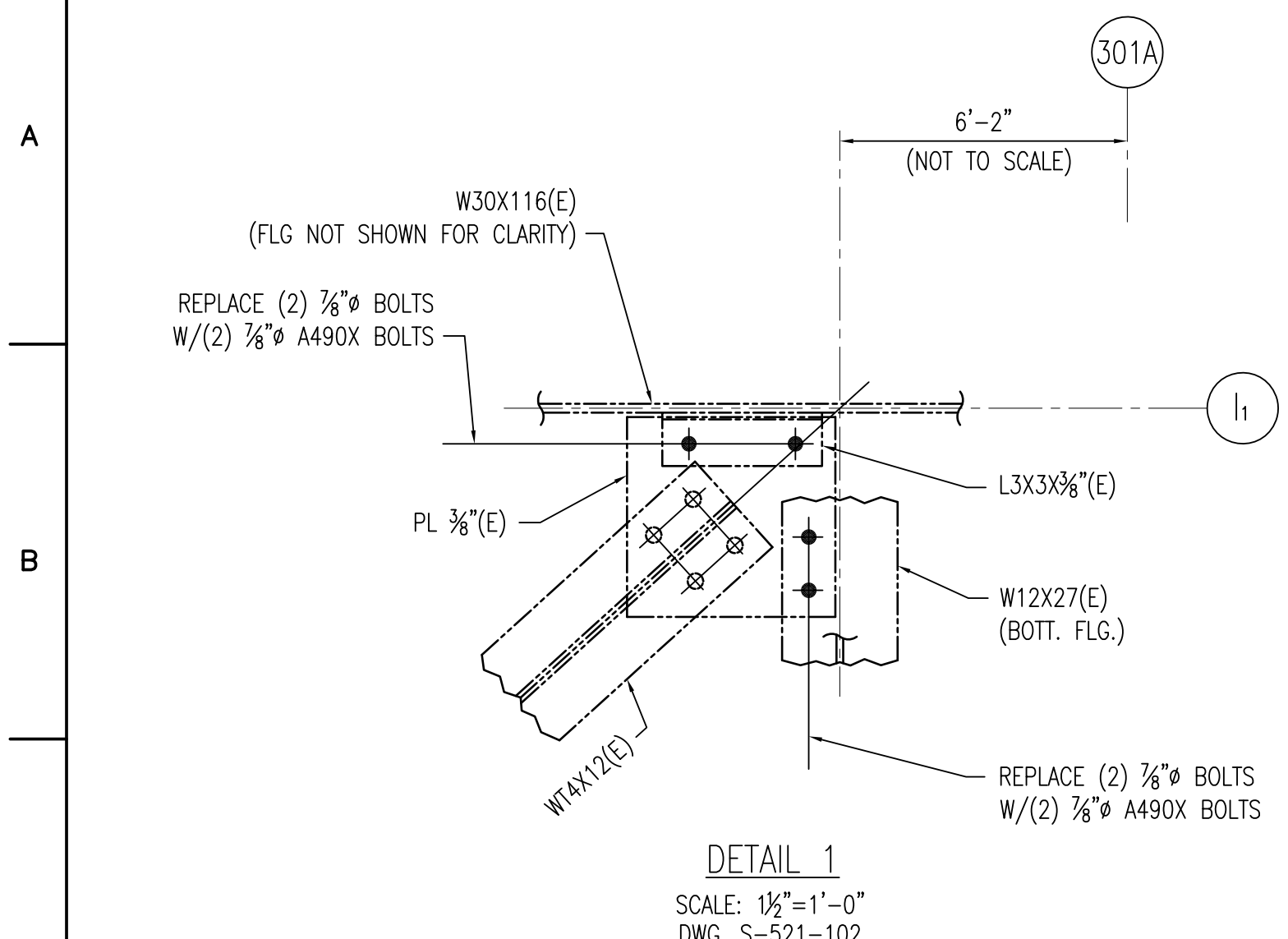


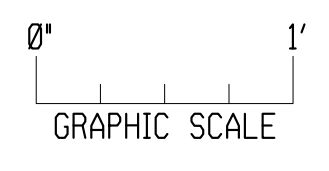
1 2 3 4 5 6 7 8 9 10 KEY NO.: E



**NOTES:**  
1. FOR GENERAL NOTES SEE DWG. 522-041-001.

**REFERENCES:**  
521-102

EC70139 REV. 0  
ATTACHMENT Z100R0  
DWG. NO. 521-142-001



NO.		DESCRIPTION		DRAWN
REVISIONS				
NUCLEAR ENGINEERING				
CRYSTAL RIVER UNIT 3				
AUXILIARY BUILDING - NORTH STEEL FRAMING MODIFICATIONS DETAILS				
EWN DRAWN	MPB CHKD.	X APRVD.	12/9/10 DATE	NONE SCALE
C DISCP.	001 SHEET	DWG.	521-142	Q REV.