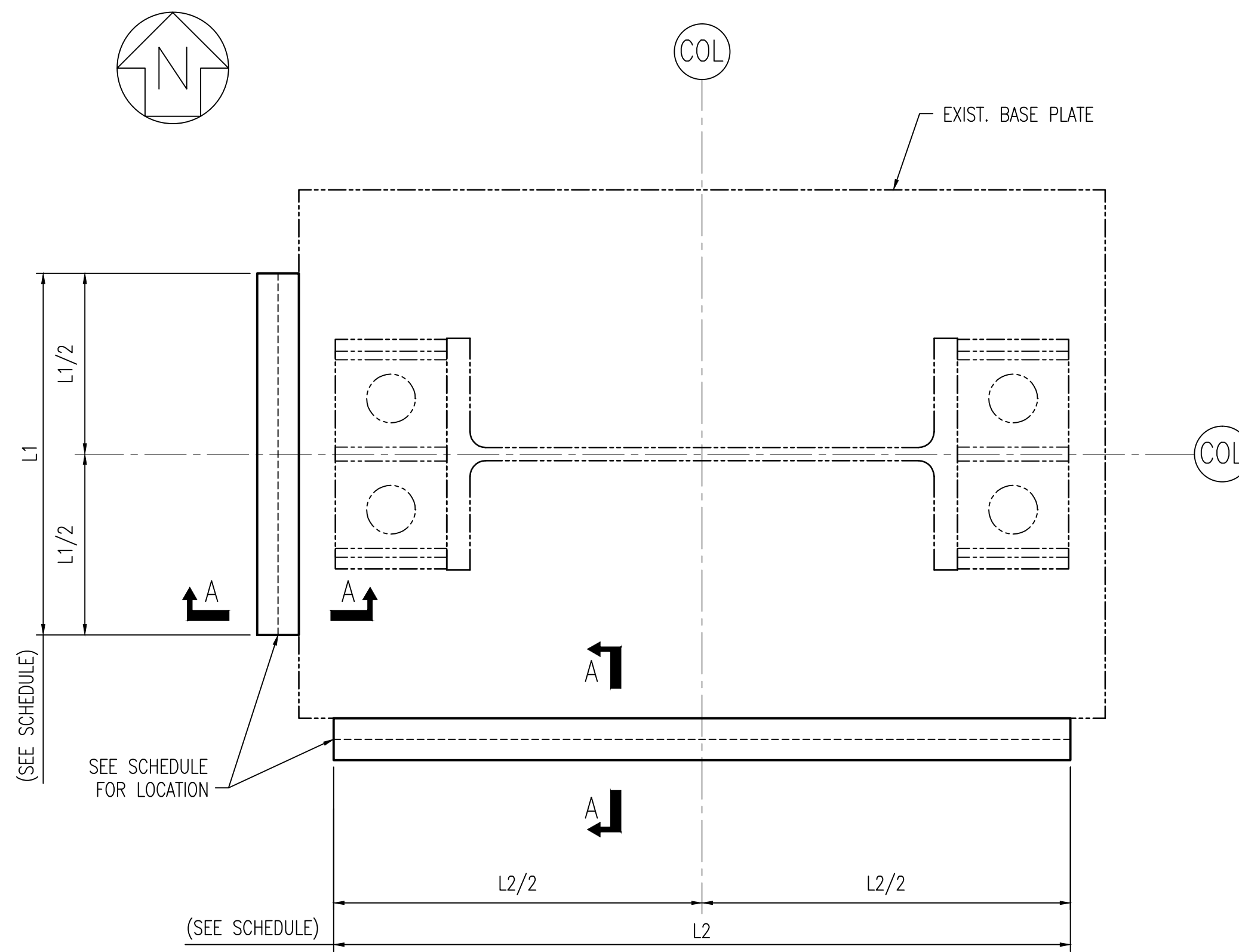
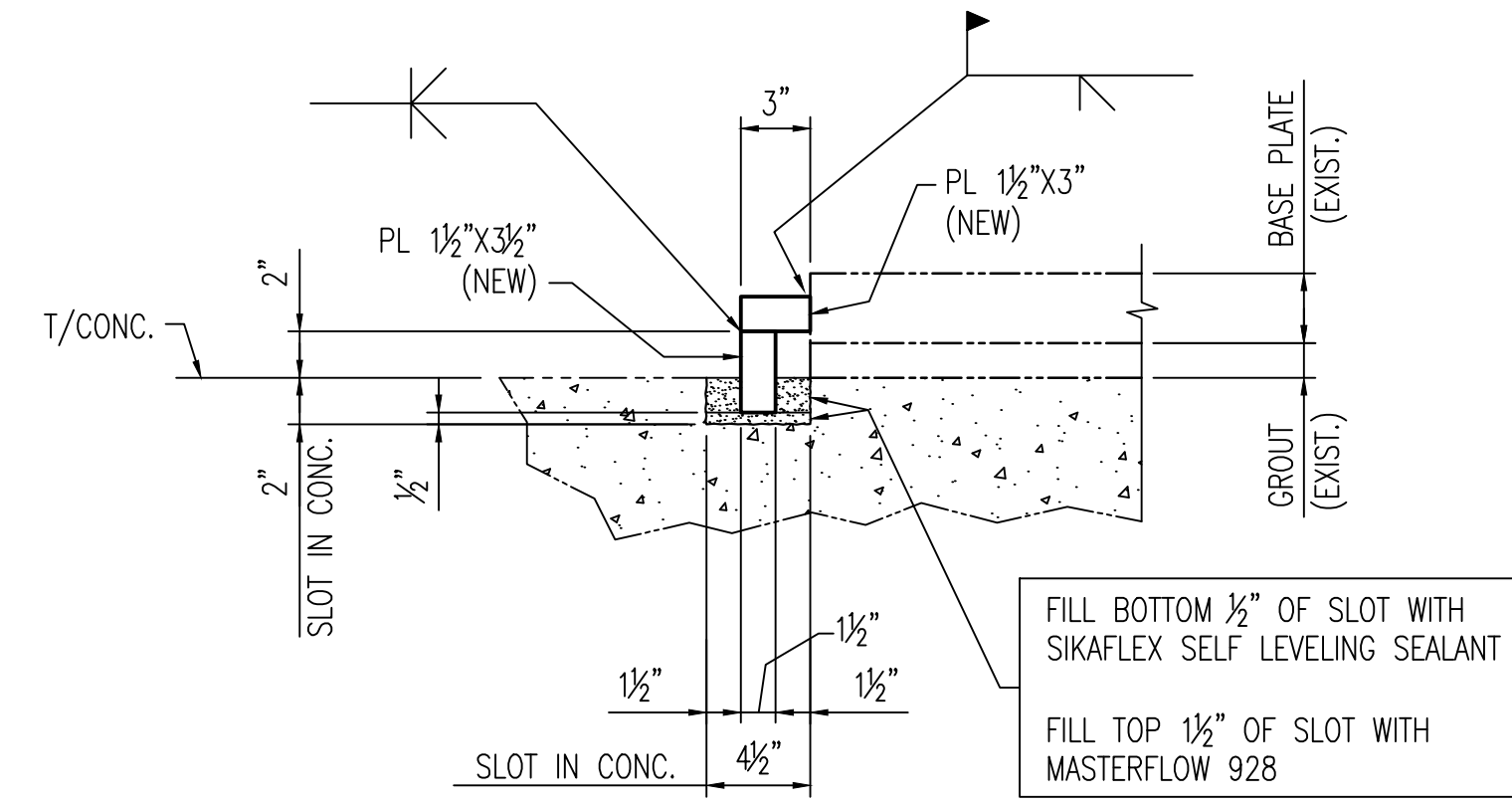


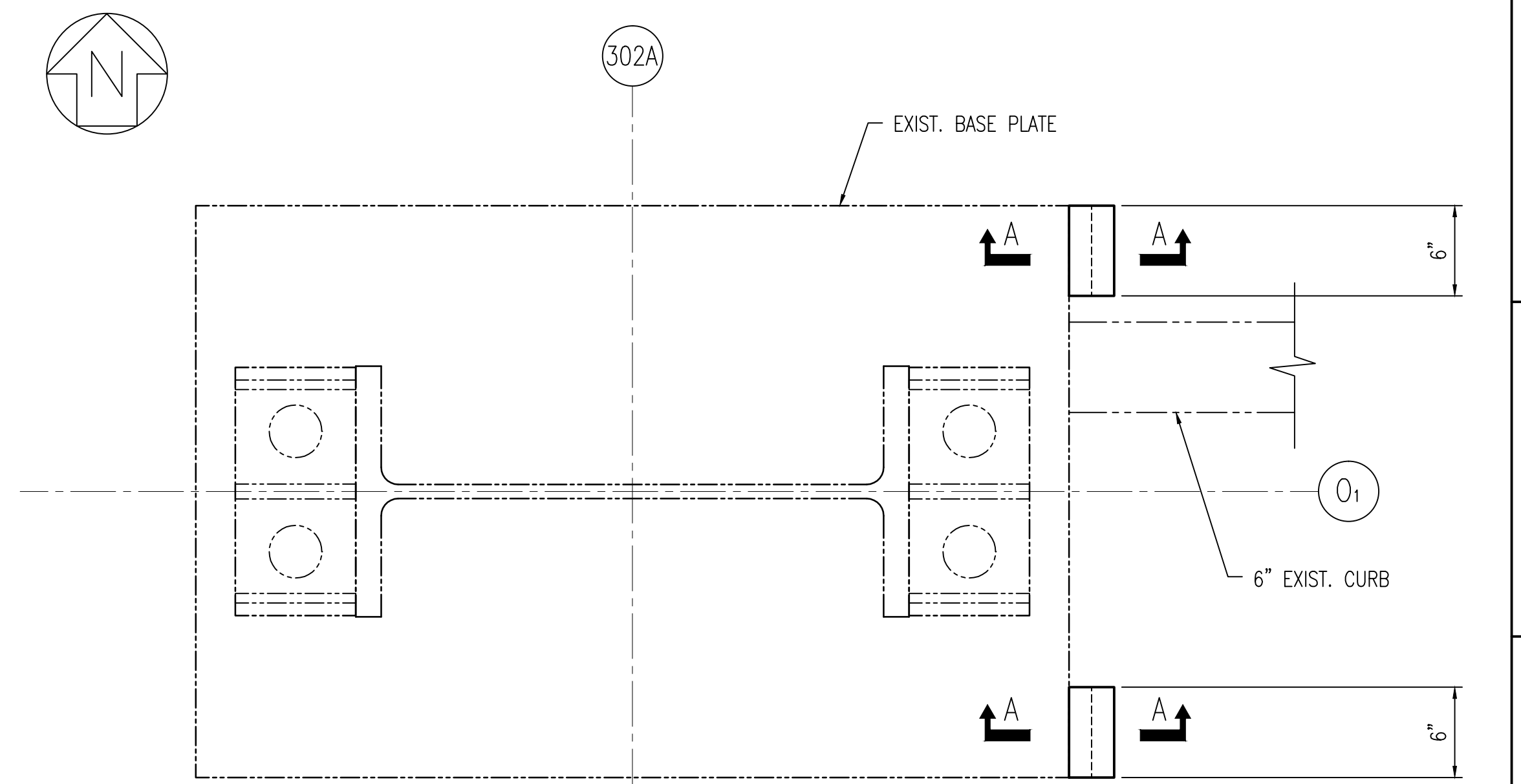
SHEAR REINFORCEMENT SCHEDULE (DETAIL A)						
COLUMN	LENGTH OF SHEAR REINFORCEMENT STEEL		LOCATION OF SHEAR REINFORCEMENT STEEL			
	L1	L2	NORTH	SOUTH	EAST	WEST
Q1-301	12"	35"	X			X
P1-301	18"(SEE NOTE 2)	6"		X		X
O1-301	6"	NA				X
M1-301	18"	35" (SEE NOTE 3)	X	X		X
M1-302A	17"	22"		X		X
L-301	32"(SEE NOTE 4)	6"		X		X
L-302A	20"	NA				X



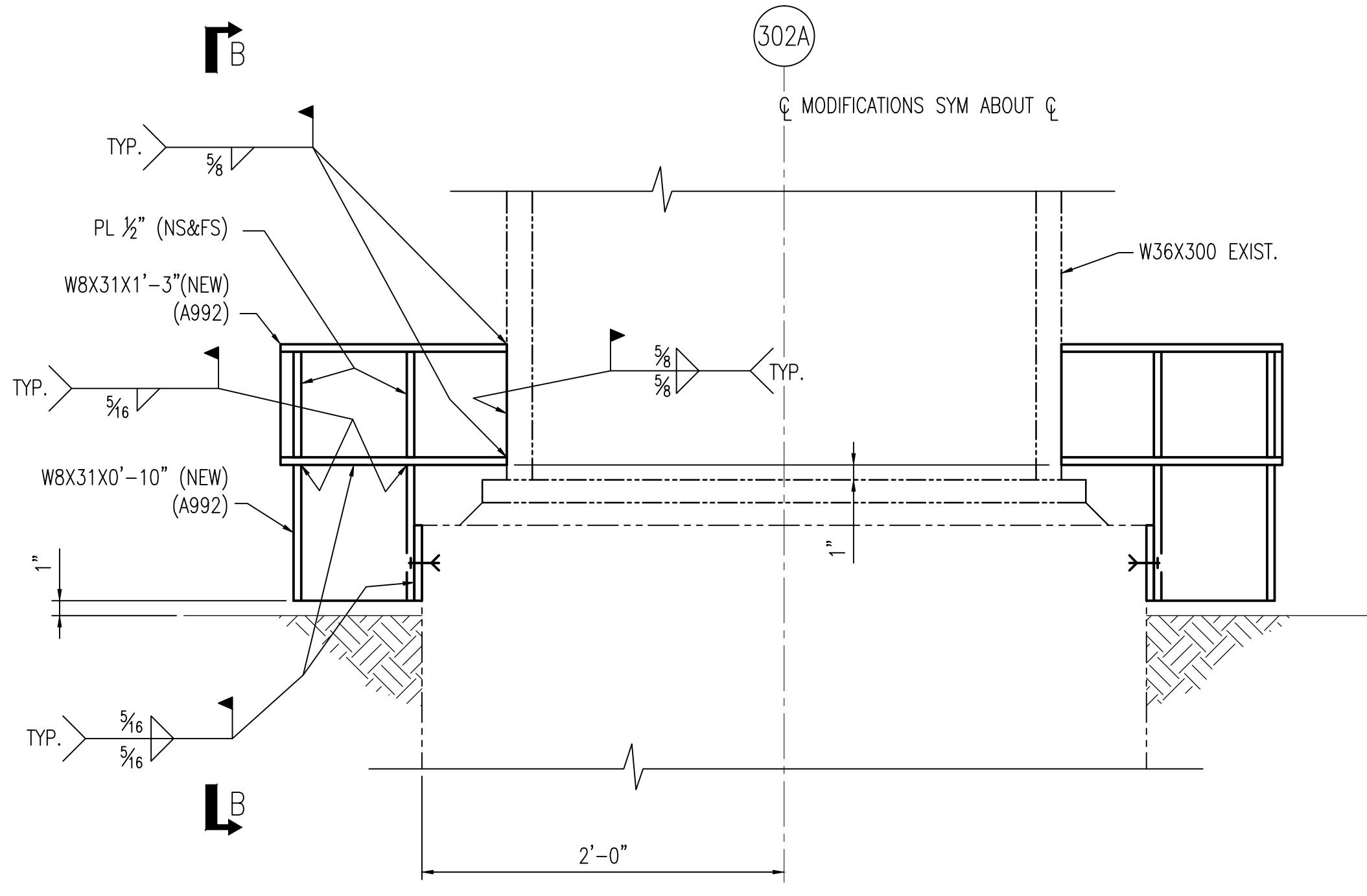
DETAIL A
SCALE: 1/2"=1'-0"
DWG. 522-041-018



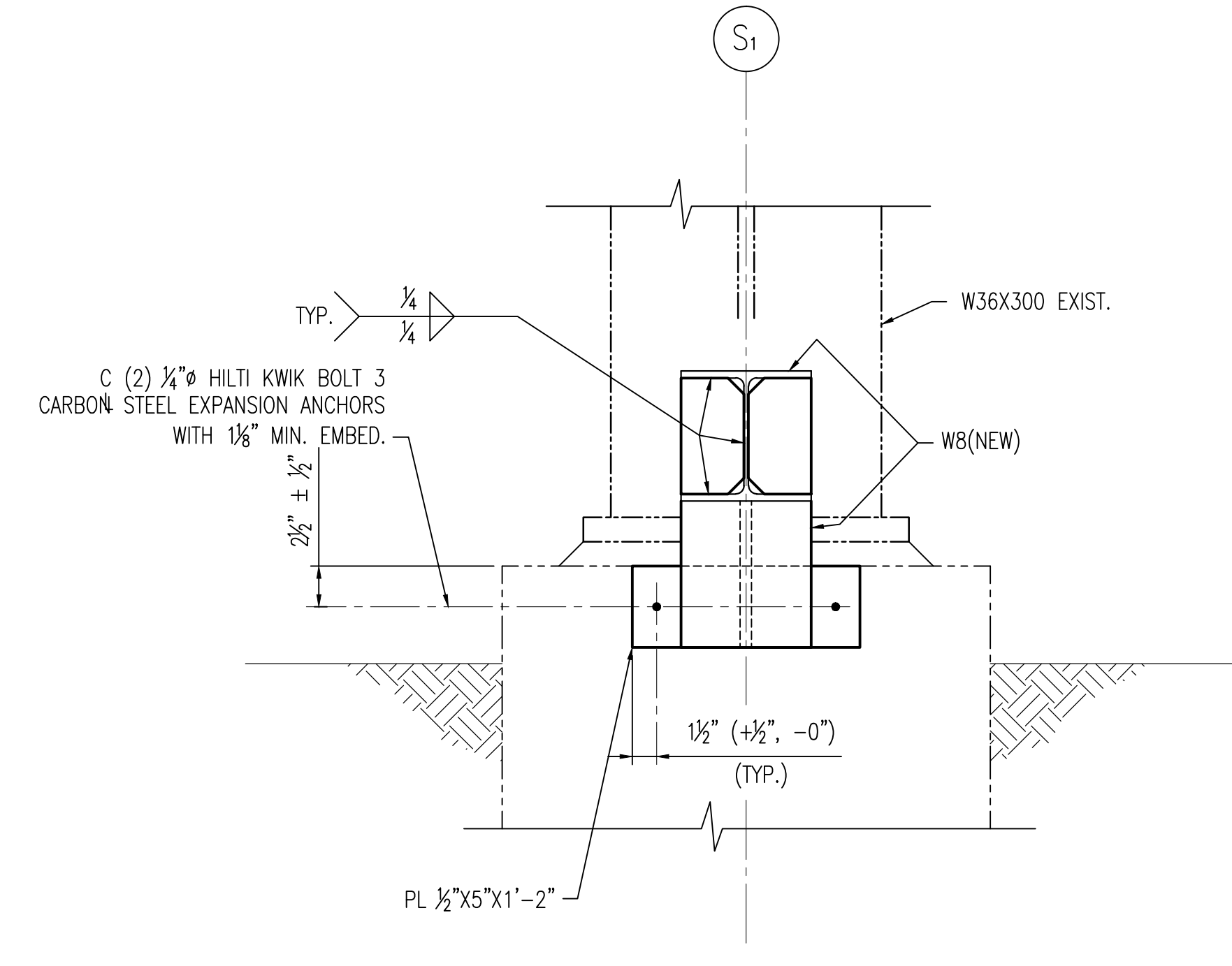
SECTION A-A
SCALE: 1/2"=1'-0"
NO REBAR SHALL BE CUT WITHOUT PRIOR ENGINEERING APPROVAL



DETAIL C
SCALE: 1/2"=1'-0"
DWG. 522-041-018



DETAIL B
SCALE: 1/2"=1'-0"
DWG. 522-041-018

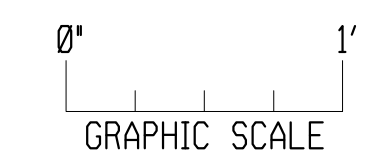


SECTION B-B
SCALE: 1/2"=1'-0"

- NOTES:**
- FOR GENERAL NOTES SEE DWG. 522-041-001.
 - THE REQUIRED SHEAR REINFORCEMENT ON THE WEST SIDE OF P1-301 SHALL BE IN TWO 9" SECTIONS, SYMMETRICAL ABOUT THE CENTERLINE OF THE BASEPLATE TO CLEAR THE EXISTING INTERFERENCES.
 - THE REQUIRED SHEAR REINFORCEMENT, L2, AT M1-301 SHALL CONSIST OF FOUR 8-3/4" SECTIONS PLACED SYMMETRICAL ABOUT THE CENTERLINE OF THE BASEPLATE ON THE NORTH AND SOUTH SIDE OF THE COLUMN.
 - THE REQUIRED SHEAR REINFORCEMENT ON THE WEST SIDE OF L-301 MAY BE OFFSET FROM THE CENTER OF THE BASEPLATE BY A MAXIMUM OF 2" TO CLEAR EXISTING INTERFERENCES.

REFERENCES:
522-041-018

EC70139 REV. 0
ATTACHMENT Z95R0
DWG. NO. 522-041-019



NO.		DESCRIPTION		DRAWN
REVISIONS				
NUCLEAR ENGINEERING CRYSTAL RIVER UNIT 3 AUXILIARY BUILDING - SOUTH STEEL FRAMING MODIFICATIONS DETAILS				
DRAWN	CHKD.	APRVD.	DATE	NONE SCALE
DISC.	019 SHEET	DWG.	522-041	REV.