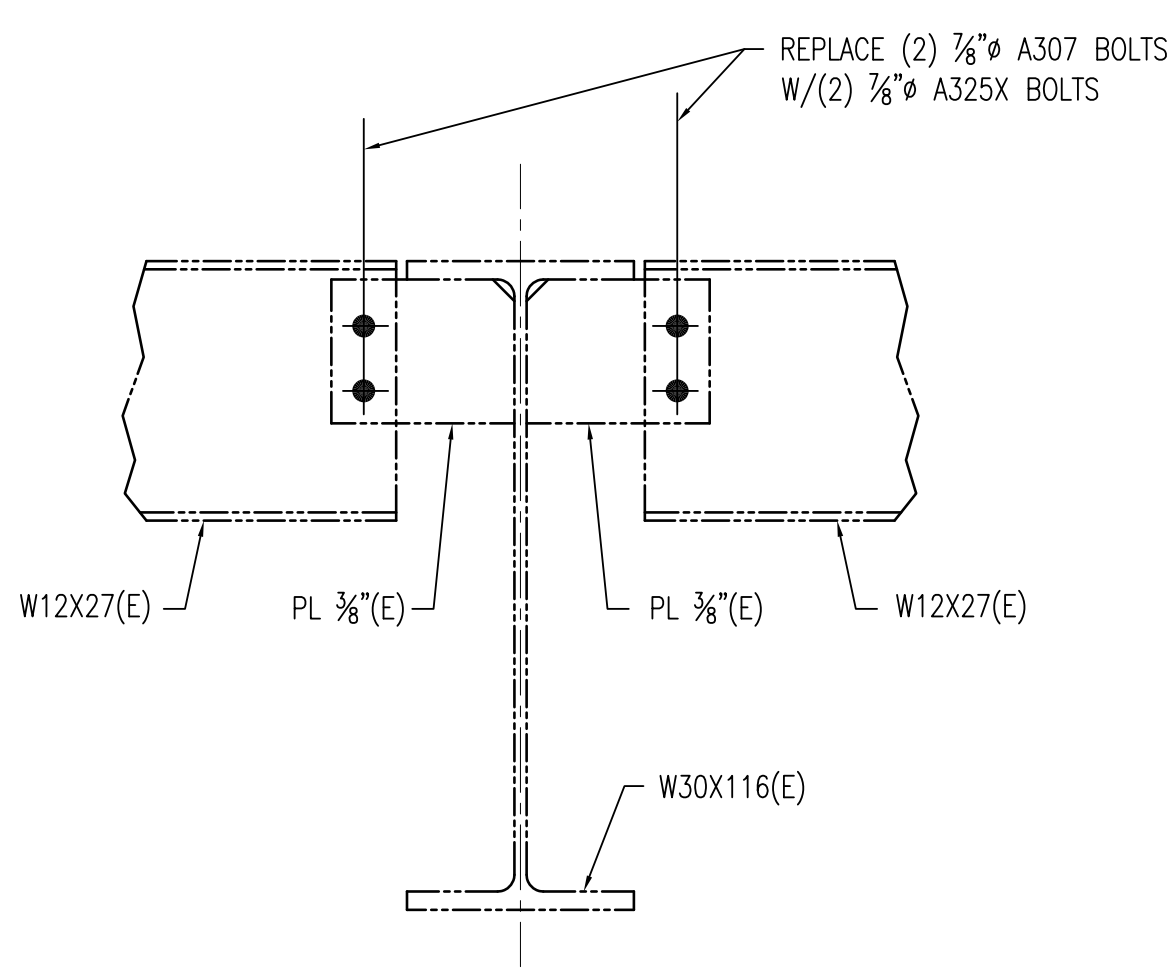
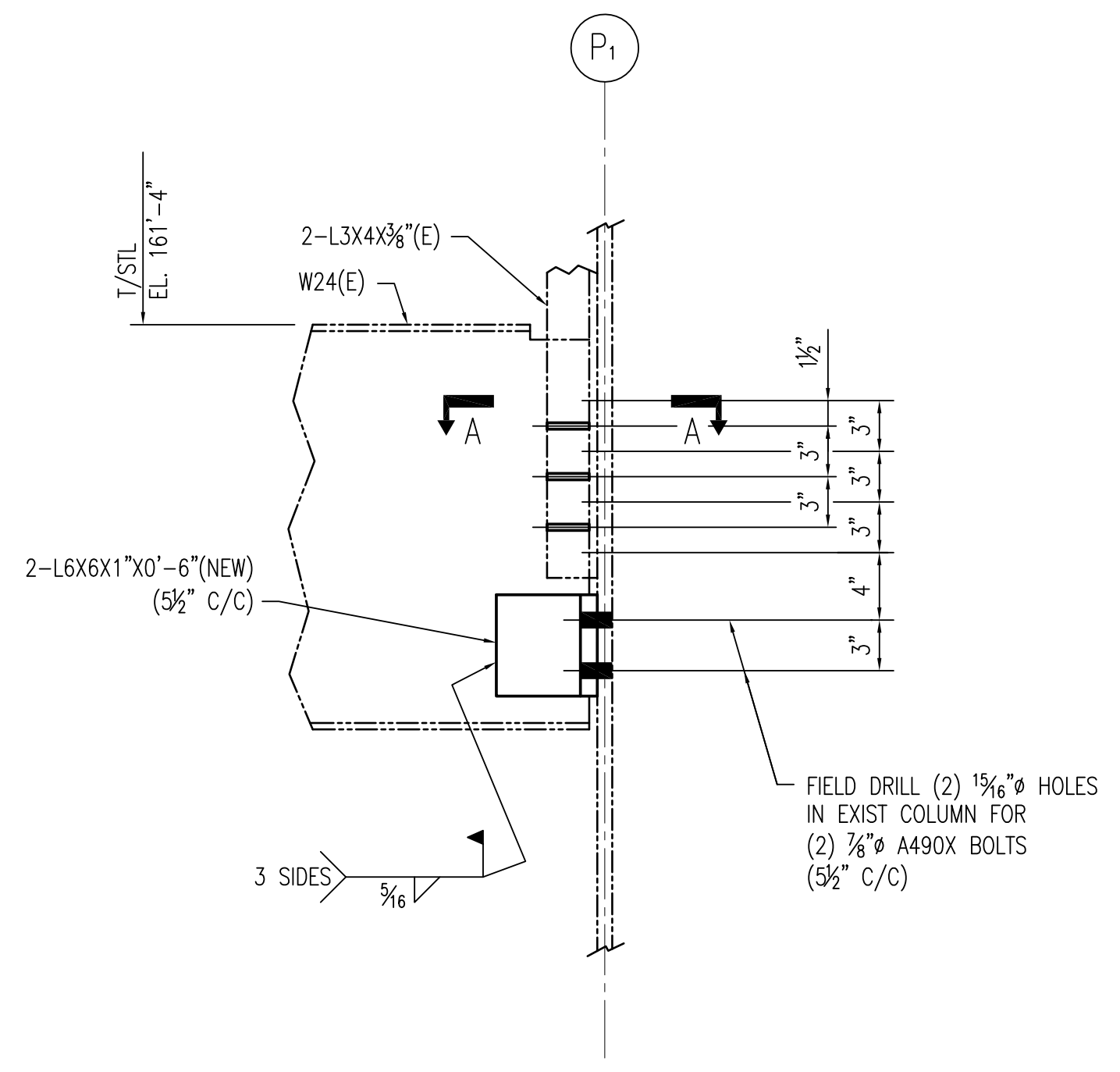


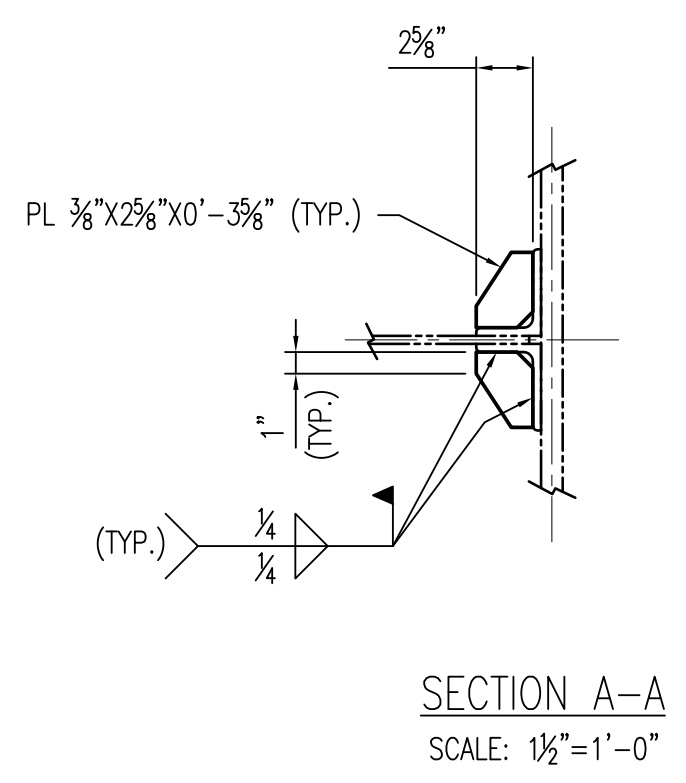
**DETAIL 1**  
SCALE: 1/2"=1'-0"  
DWG. S-522-003



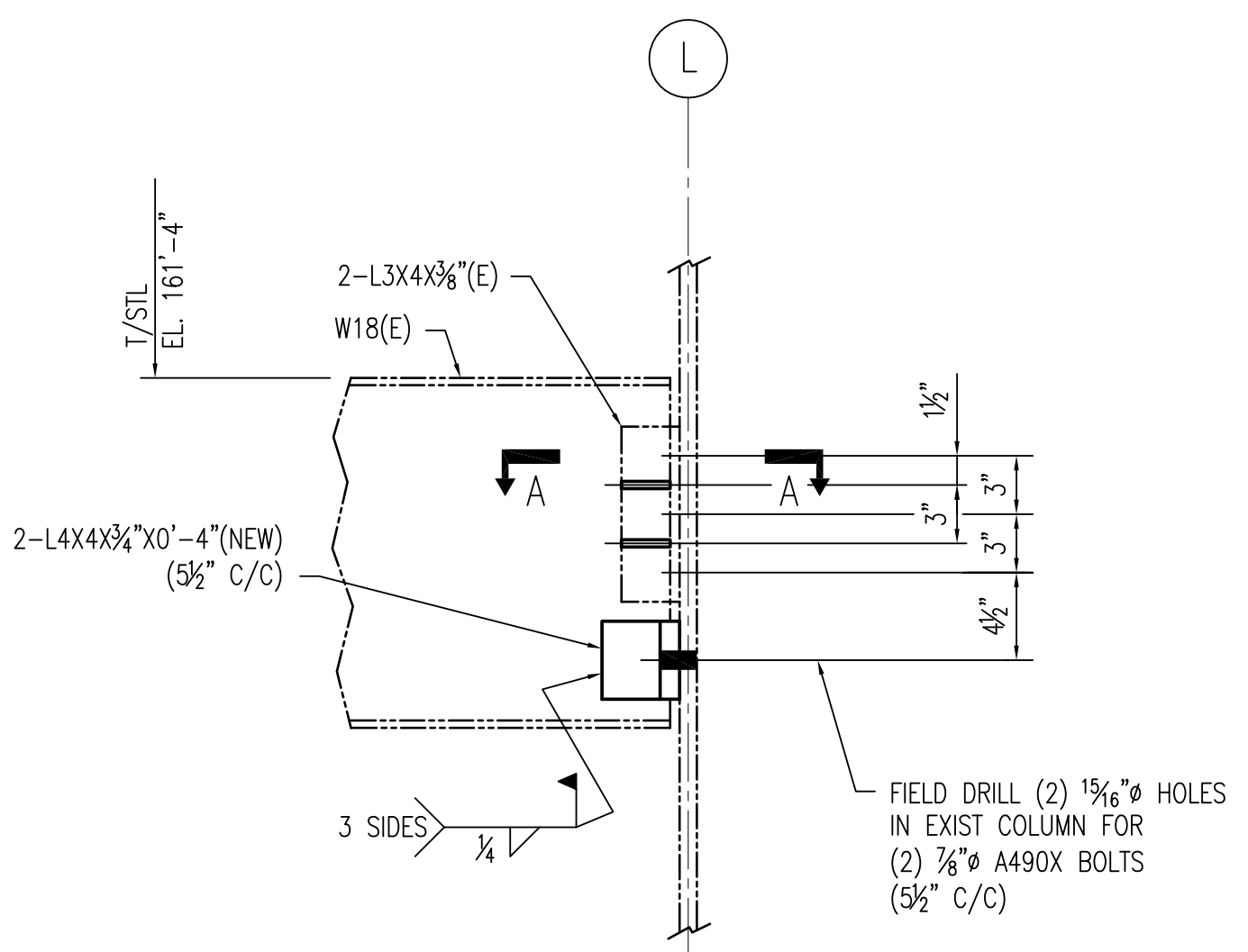
**DETAIL 2**  
SCALE: 1/2"=1'-0"  
DWG. S-522-004



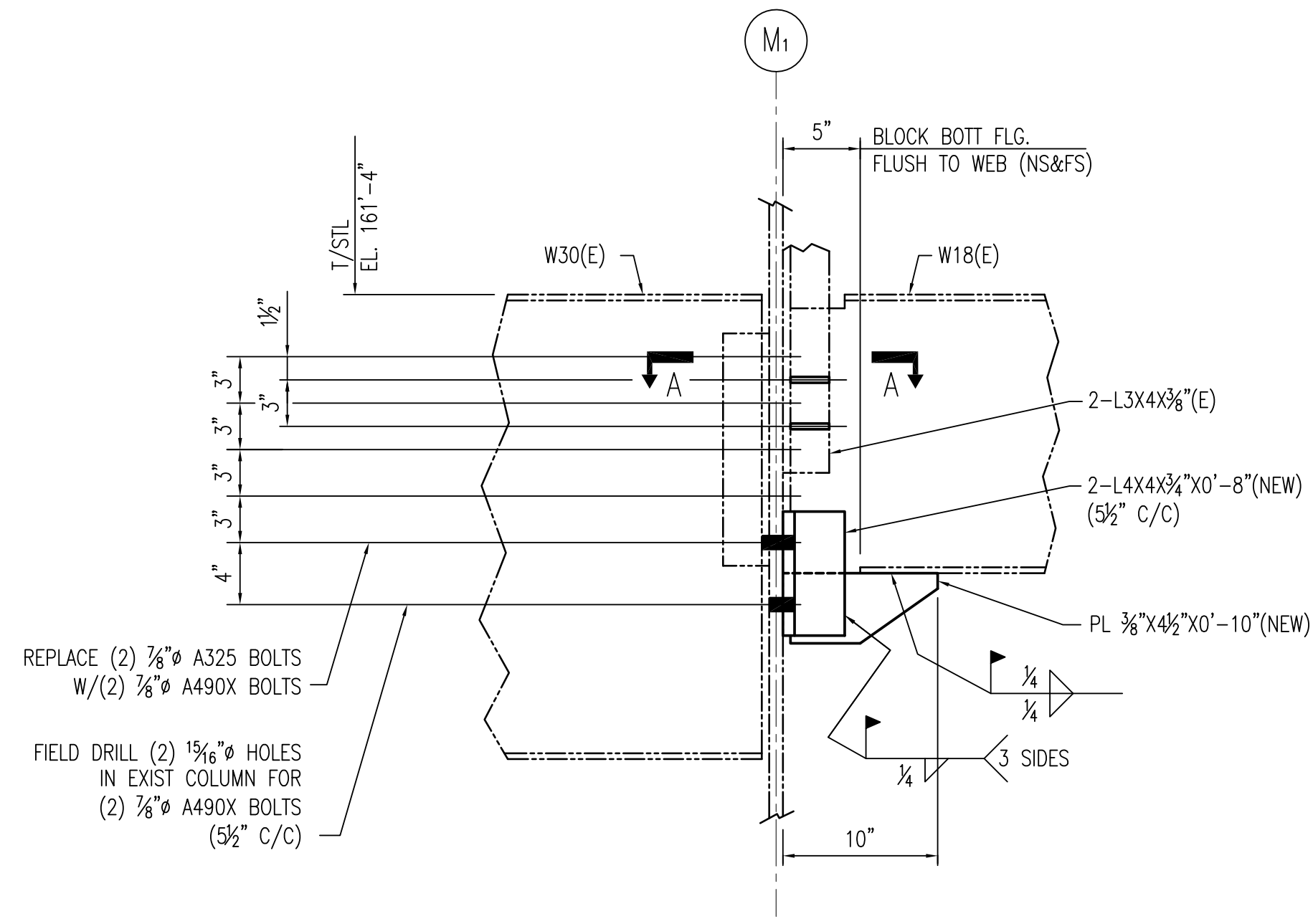
**DETAIL 3**  
SCALE: 1/2"=1'-0"  
DWG. 522-041-010



**SECTION A-A**  
SCALE: 1/2"=1'-0"



**DETAIL 4**  
SCALE: 1/2"=1'-0"  
DWG. 522-041-010

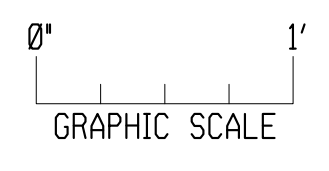


**DETAIL 5**  
SCALE: 1/2"=1'-0"  
DWG. 522-041-010

**NOTES:**  
1. FOR GENERAL NOTES SEE DWG. 522-041-001.

**REFERENCES:**  
522-003  
522-004  
522-041-010

EC70139 REV. 0  
ATTACHMENT Z91R0  
DWG. NO. 522-041-015



NO.		DESCRIPTION		DRAWN
REVISIONS				
NUCLEAR ENGINEERING				
CRYSTAL RIVER UNIT 3				
AUXILIARY BUILDING - SOUTH STEEL FRAMING MODIFICATIONS DETAILS				
EWN DRAWN	MPB CHKD.	X APRVD.	12/9/10 DATE	NONE SCALE
C DISCP.	015 SHEET	DWG.	522-041	REV.