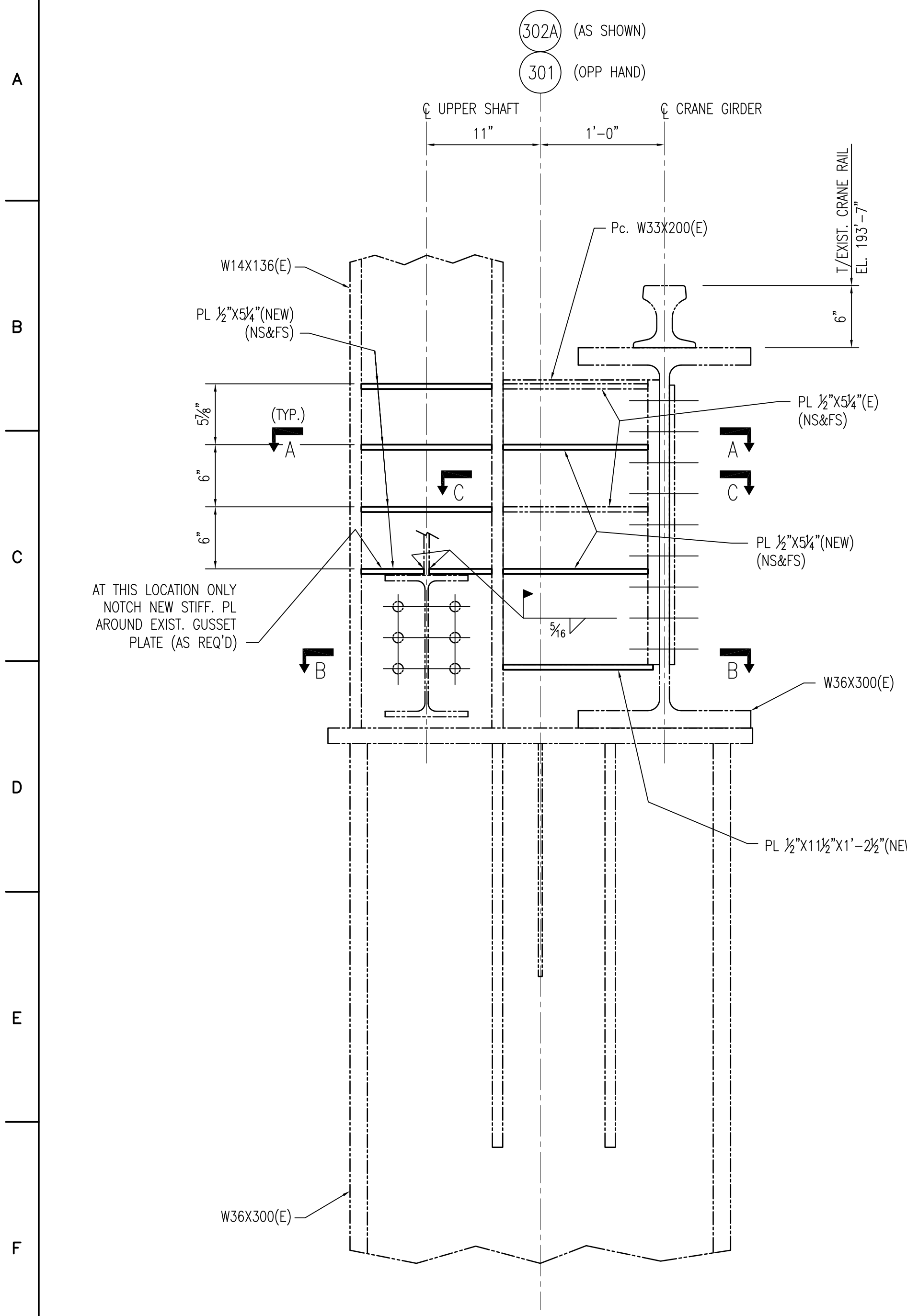
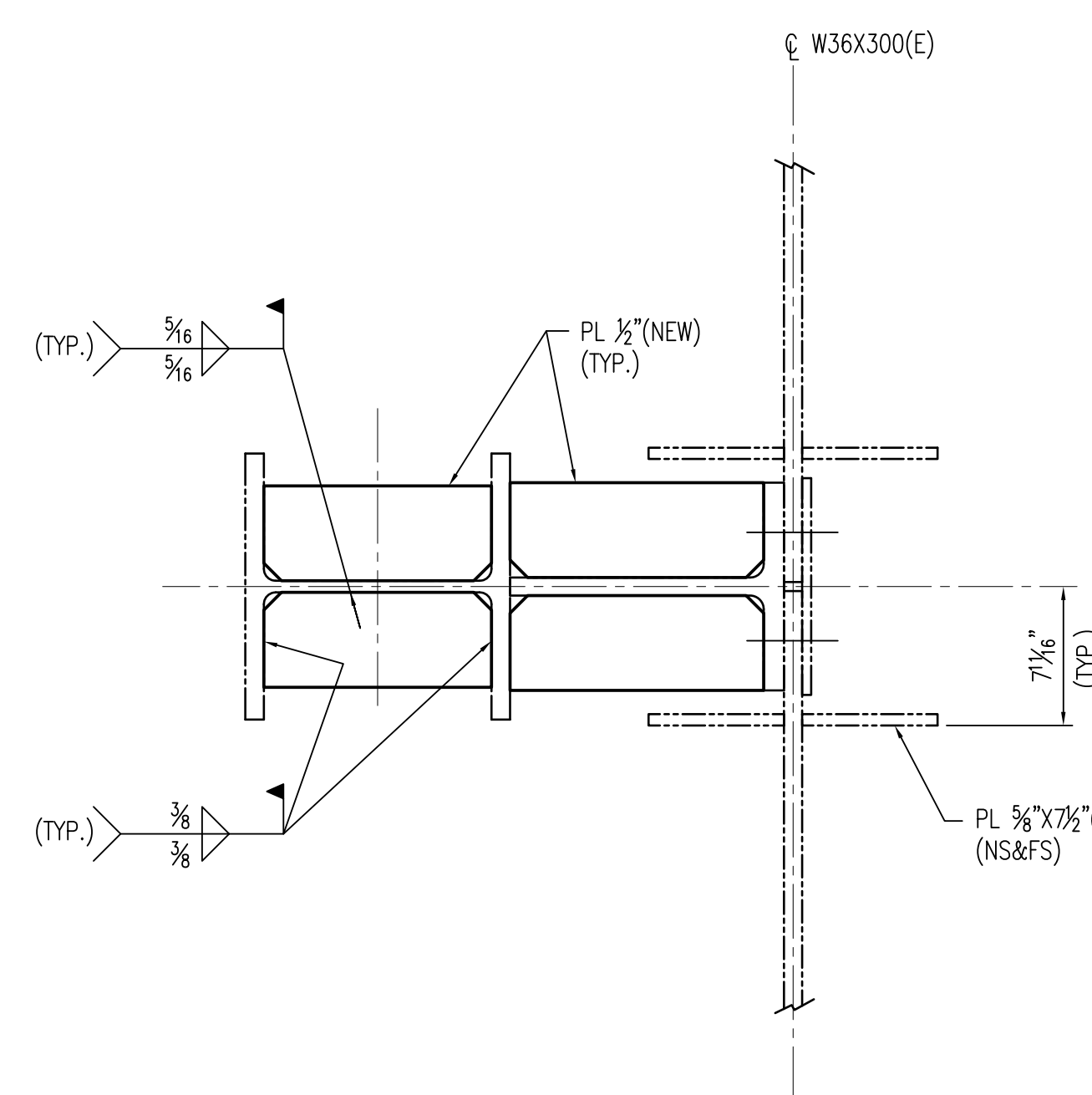


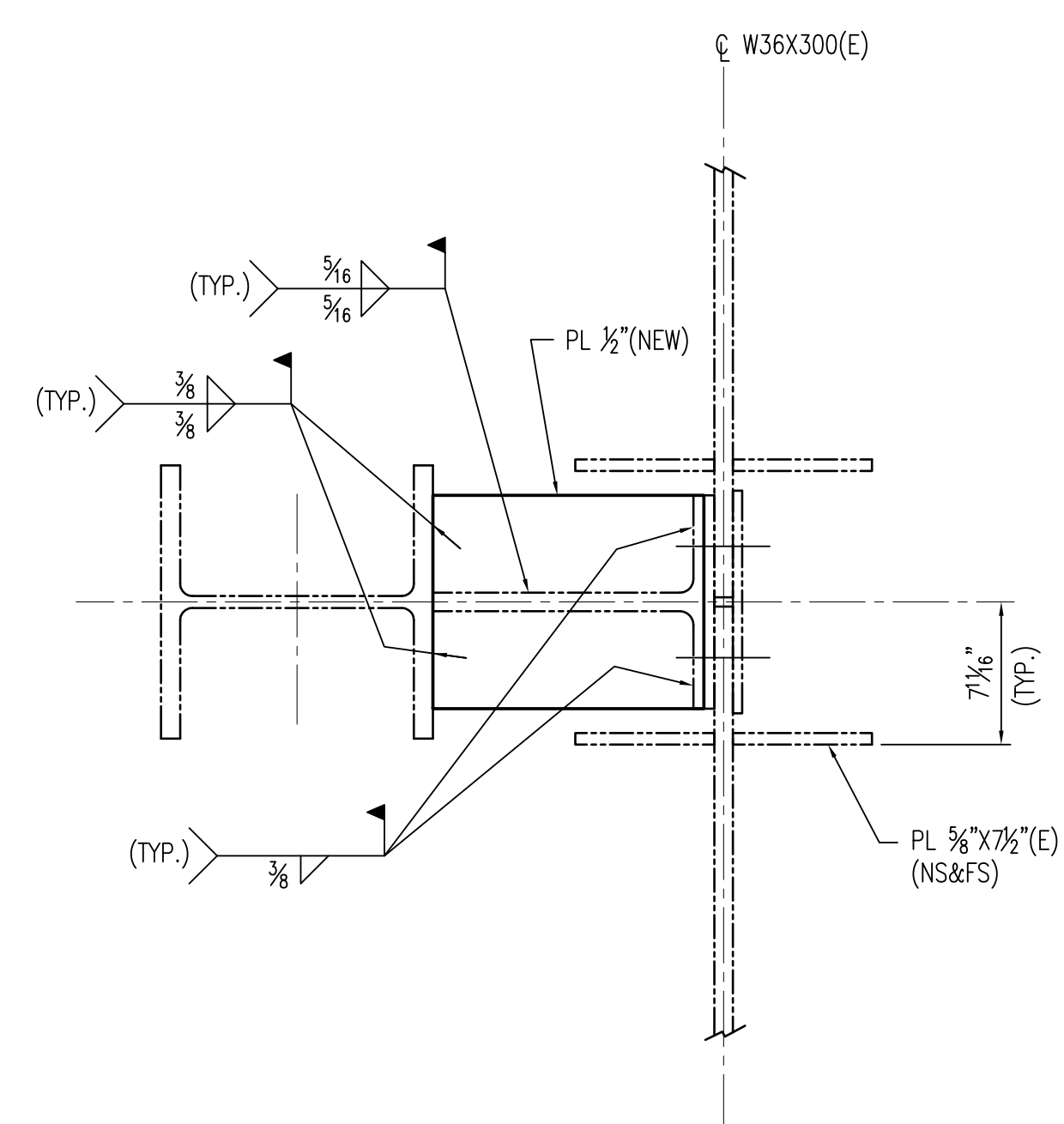
1 2 3 4 5 6 7 8 9 10 KEY NO.: E



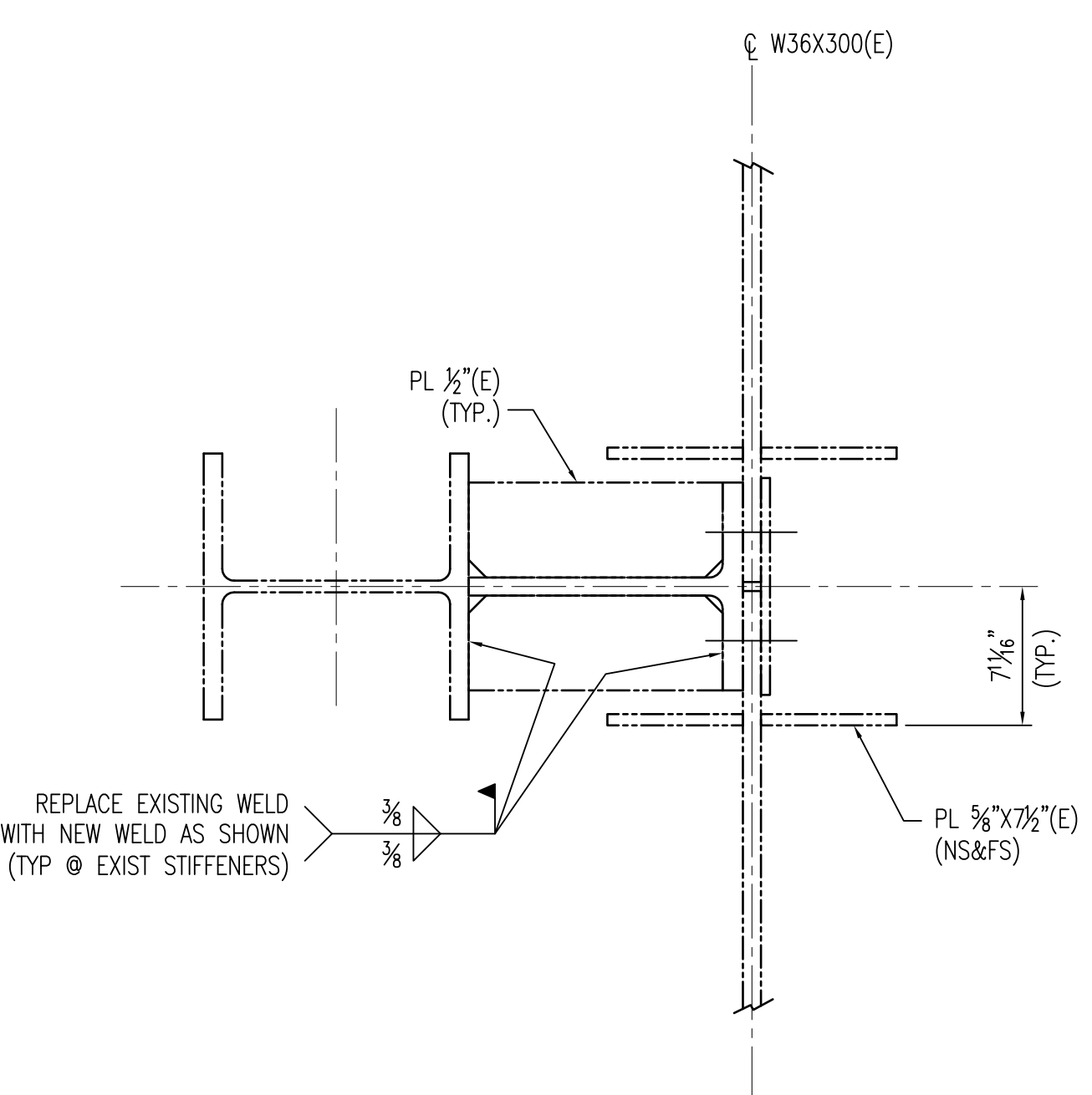
DETAIL A
SCALE: 1/2"=1'-0"
DWG. S-522-004



SECTION A-A
SCALE: 1/2"=1'-0"



SECTION B-B
SCALE: 1/2"=1'-0"



SECTION C-C
SCALE: 1/2"=1'-0"

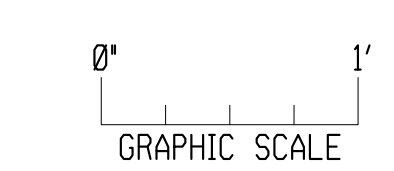
REPLACE EXISTING WELD WITH NEW WELD AS SHOWN (TYP @ EXIST STIFFENERS)

AT THIS LOCATION ONLY NOTCH NEW STIFF. PL AROUND EXIST. GUSSET PLATE (AS REQ'D)

NOTES:
1. FOR GENERAL NOTES SEE DWG. 522-041-001.

REFERENCES:
522-004

EC70139 REV. 0
ATTACHMENT Z53R0
DWG. NO. 522-041-011



NO.		DESCRIPTION		DRAWN
REVISIONS				
		NUCLEAR ENGINEERING		
		CRYSTAL RIVER UNIT 3		
AUXILIARY BUILDING - SOUTH STEEL FRAMING MODIFICATIONS DETAILS				
EWN DRAWN	MPB CHKD.	X APRVD.	12/9/10 DATE	NONE SCALE
C DISCP.	011 SHEET	DWG.	522-041	REV.