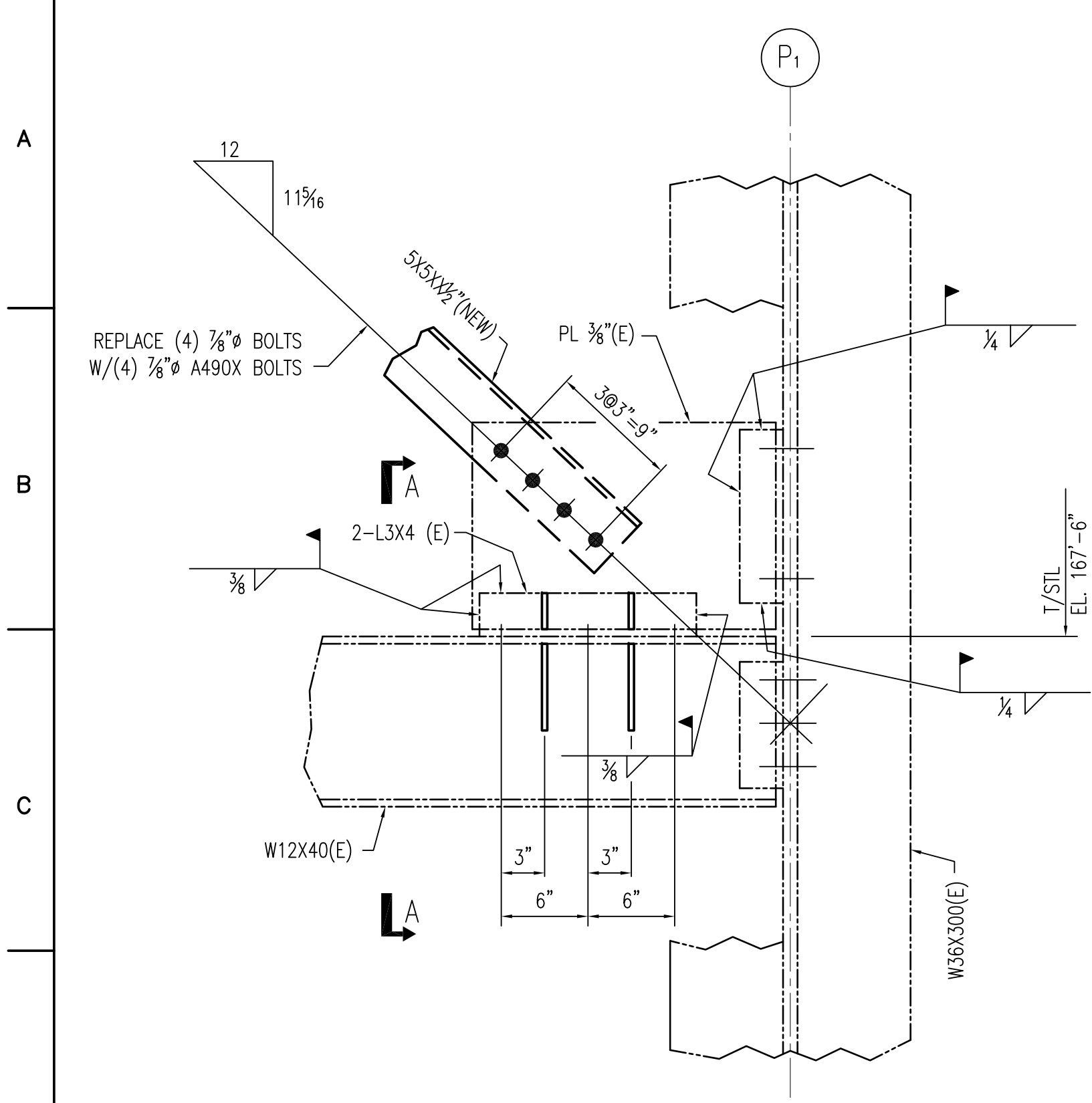
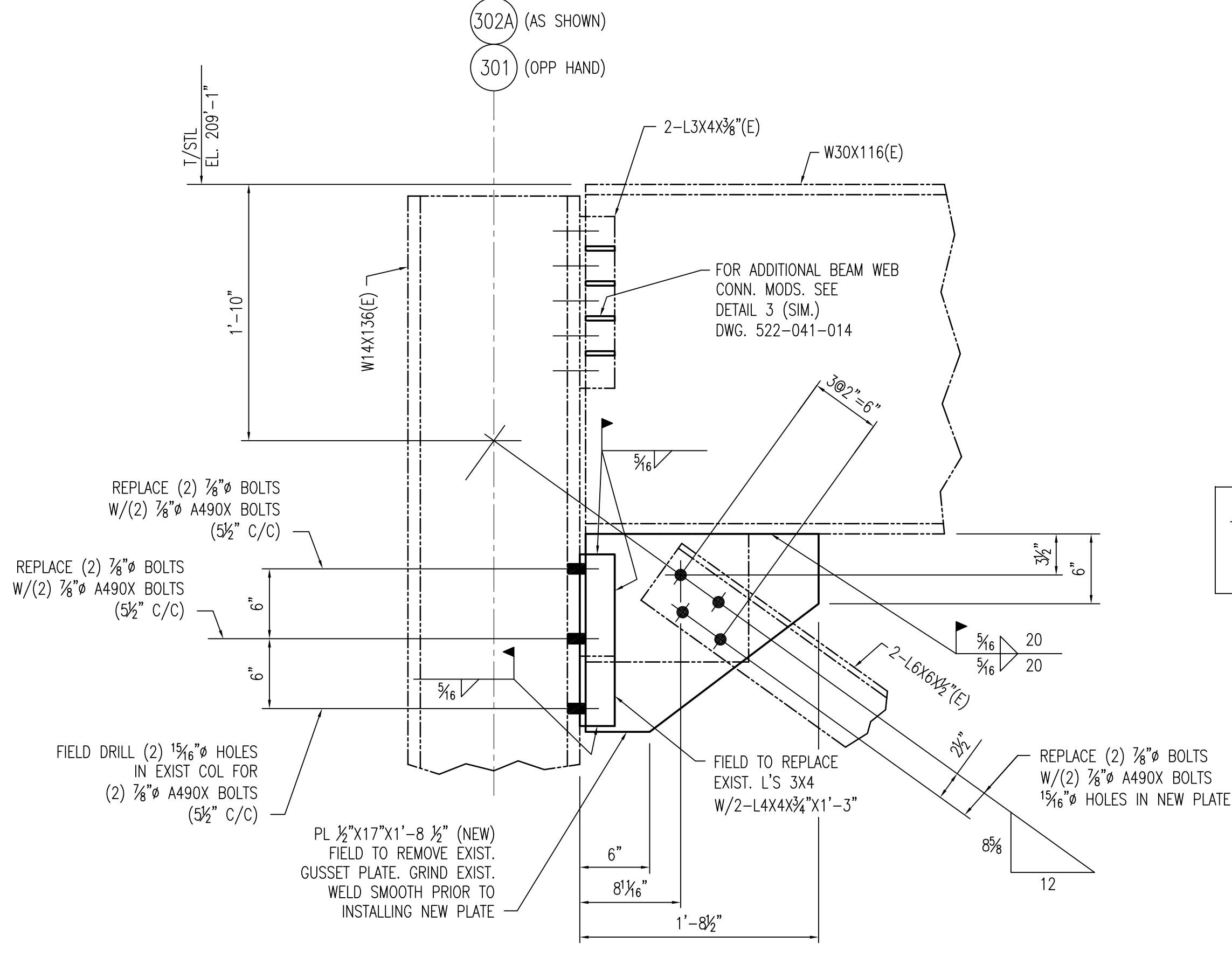


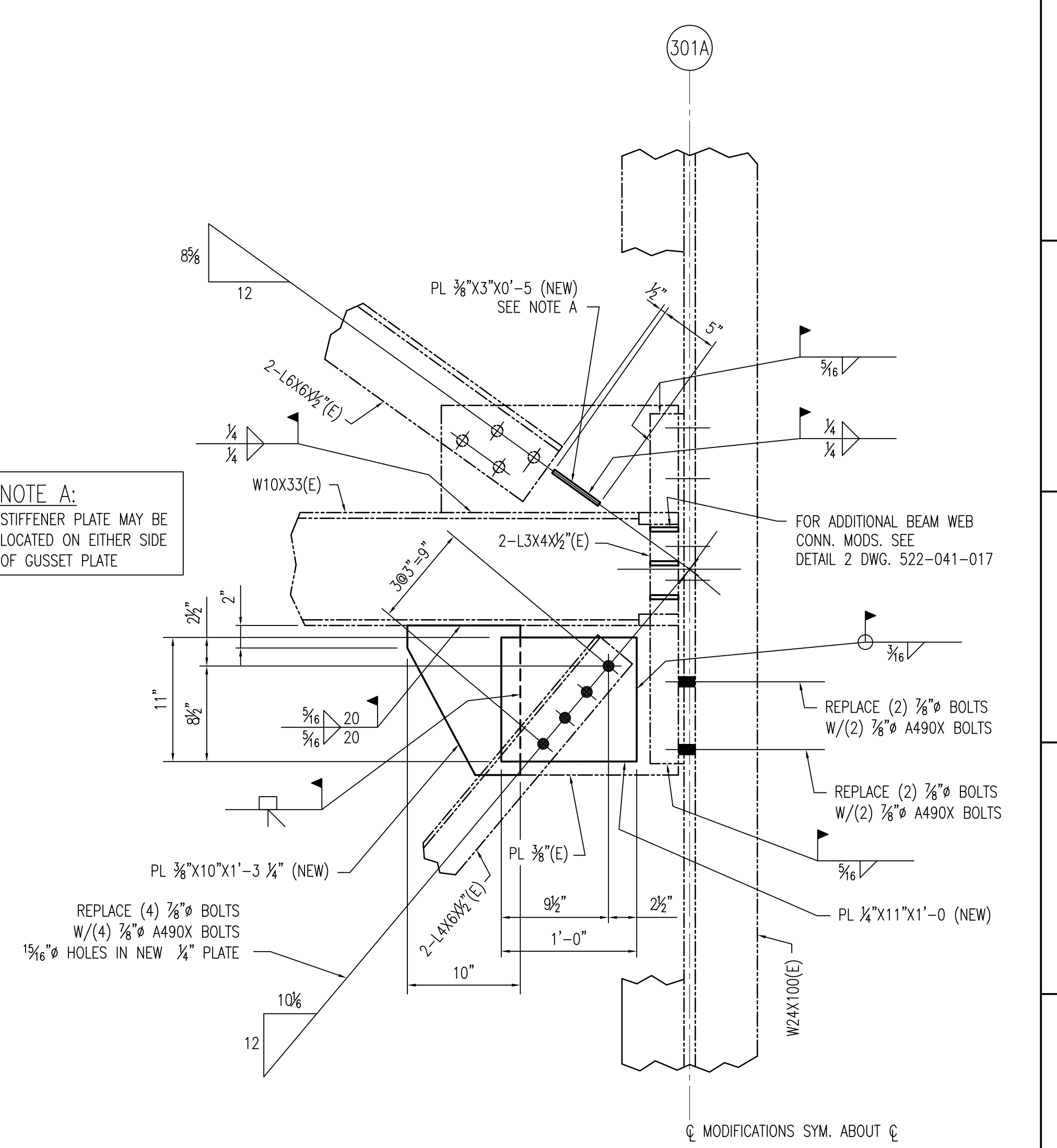
1 2 3 4 5 6 7 8 9 10 KEY NO.: E



DETAIL 1
SCALE: 1/2\"=1'-0\"
DWG. 522-041-001

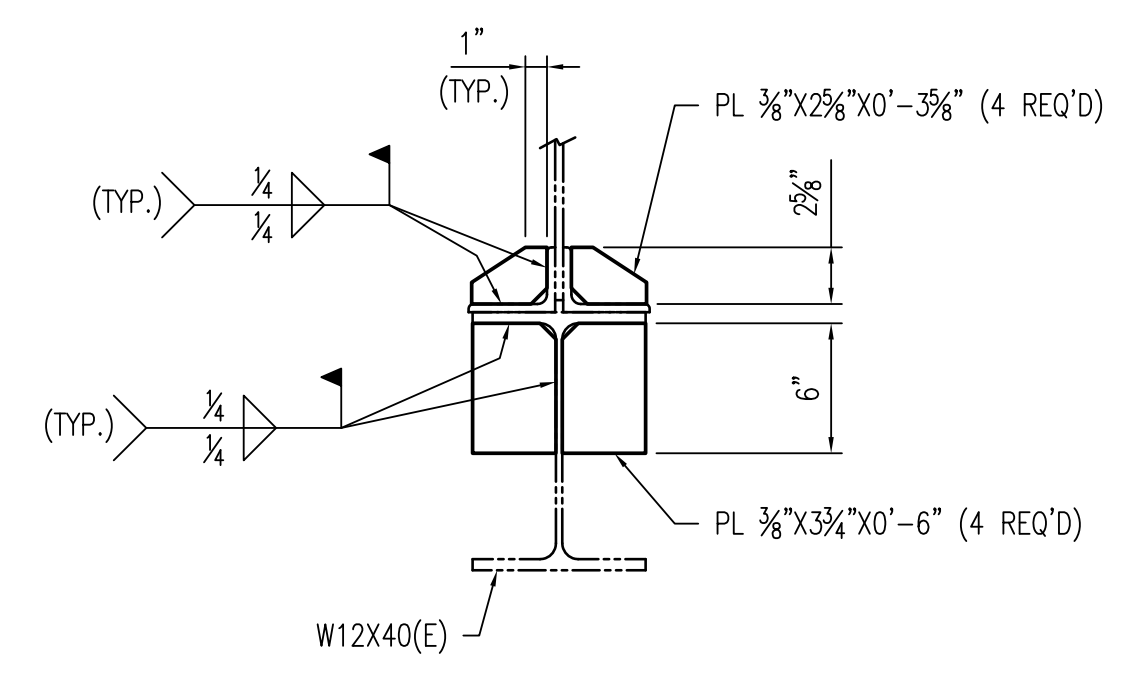


DETAIL 2
SCALE: 1/2\"=1'-0\"
DWG. 522-041-001



DETAIL 3
SCALE: 1/2\"=1'-0\"
DWG. 522-041-001

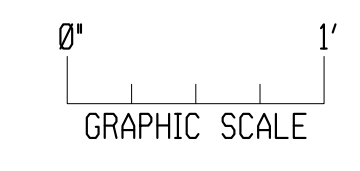
NOTE A:
STIFFENER PLATE MAY BE
LOCATED ON EITHER SIDE
OF GUSSET PLATE



SECTION A-A
SCALE: 1/2\"=1'-0\"

NOTES:
1. FOR GENERAL NOTES SEE DWG. 522-041-001.
REFERENCES:
522-041-001

EC70139 REV. 0
ATTACHMENT Z50R0
DWG. NO. 522-041-008



NO.		DESCRIPTION		DRAWN	
REVISIONS					
NUCLEAR ENGINEERING					
CRYSTAL RIVER UNIT 3					
AUXILIARY BUILDING - SOUTH STEEL FRAMING MODIFICATIONS DETAILS					
EWN DRAWN	MPB CHKD.	X APRVD.	12/9/10 DATE	NONE SCALE	
C DISCP.	008 SHEET	DWG.	522-041		REV.