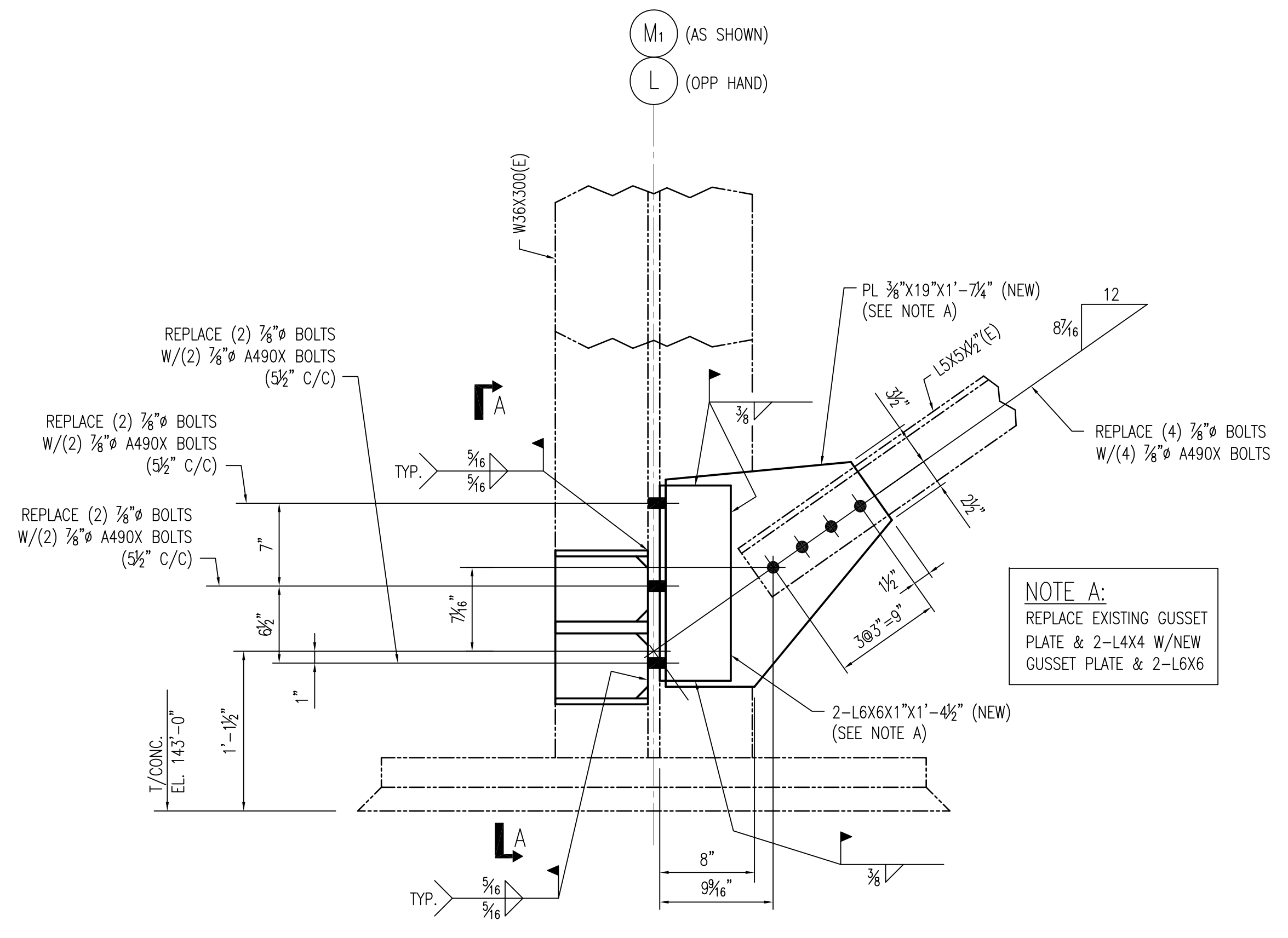
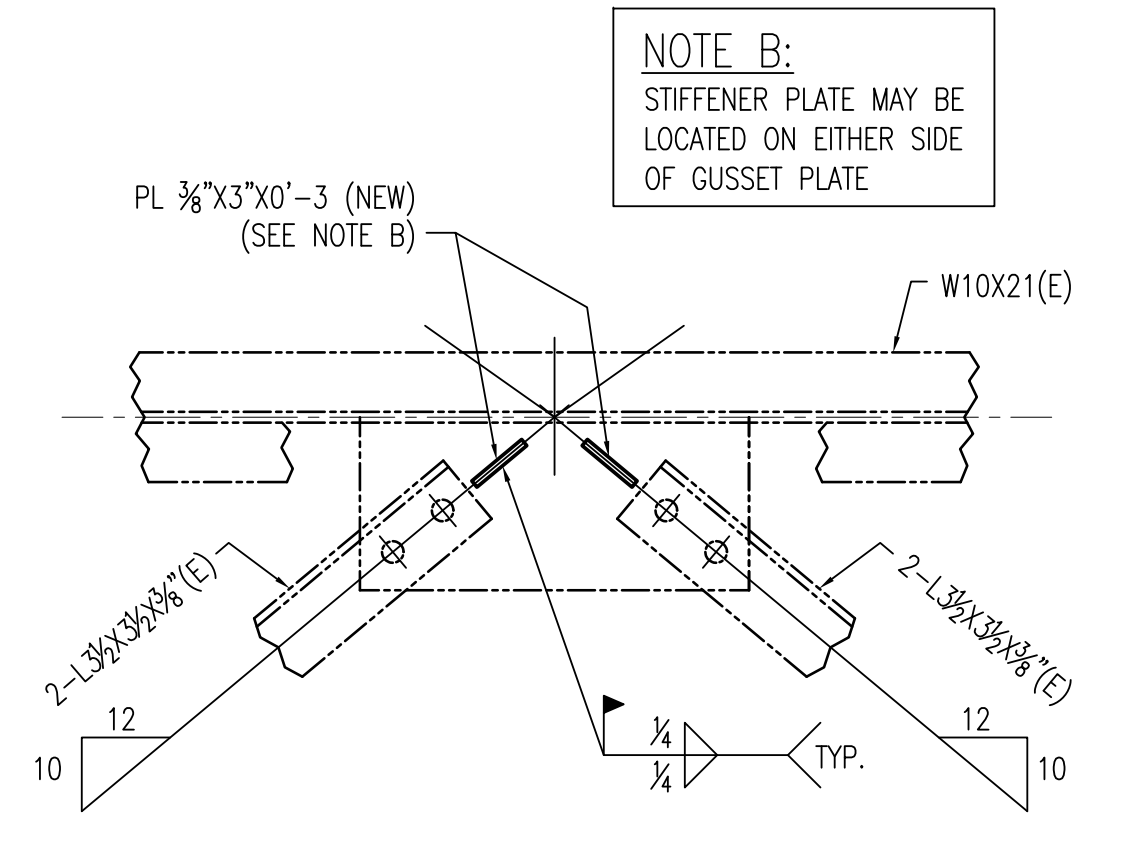


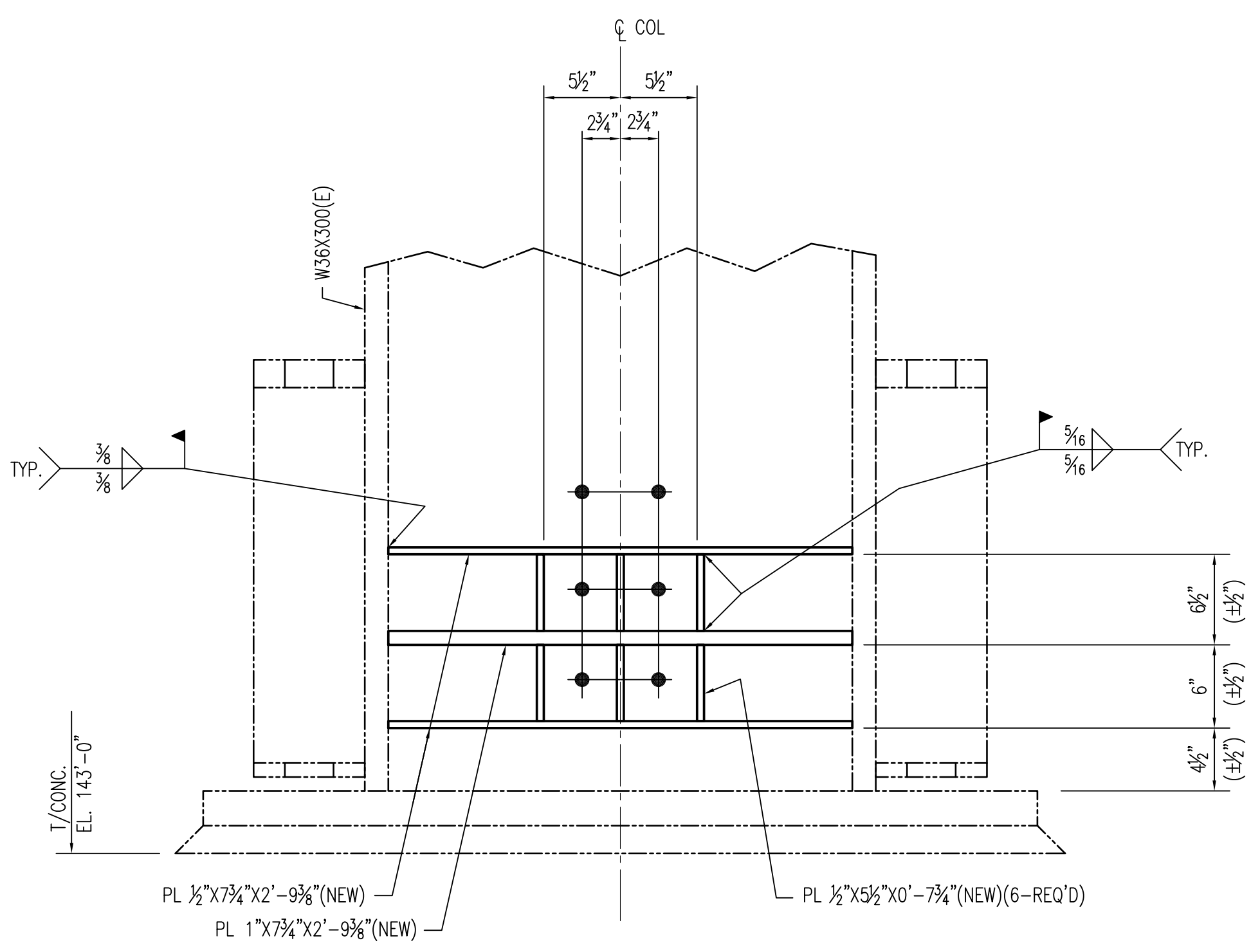
DETAIL 1  
SCALE: 1/2"=1'-0"



DETAIL 2  
SCALE: 1/2"=1'-0"  
DWG. 522-041-001



DETAIL 3  
SCALE: 1/2"=1'-0"



SECTION A-A  
SCALE: 1/2"=1'-0"

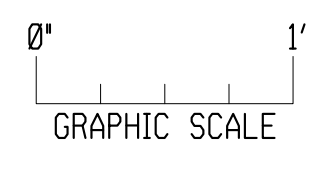
NOTE A:  
REPLACE EXISTING GUSSET PLATE & 2-L4X4 W/NEW GUSSET PLATE & 2-L6X6

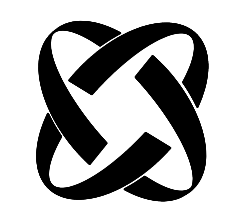
NOTE B:  
STIFFENER PLATE MAY BE LOCATED ON EITHER SIDE OF GUSSET PLATE

NOTES:  
1. FOR GENERAL NOTES SEE DWG. 522-041-001.

REFERENCES:  
522-041-001

EC70139 REV. 0  
ATTACHMENT Z48R0  
DWG. NO. 522-041-006



|  |       |             |         |       |      |
|--|-------|-------------|---------|-------|------|
| NO.  |       | DESCRIPTION |         | DRAWN |      |
| REVISIONS  |       |             |         |       |      |
|  <b>NUCLEAR ENGINEERING</b><br>CRYSTAL RIVER UNIT 3<br>AUXILIARY BUILDING - SOUTH STEEL FRAMING MODIFICATIONS DETAILS |       |             |         |       |      |
| EWN  | MPB   | X           | 12/9/10 | NONE  |      |
| DRAWN  | CHKD. | APRVD.      | DATE    | SCALE |      |
| C  | 006   |             | 522-041 |       |      |
| DISCP.   | SHEET | DWG.        |         |       | REV. |