



September 14, 2011

Ms. Pam Rothwell
District 1 Assistant Supervisor
Land Quality Division
Wyoming Department of Environmental Quality
Herschler Building
122 West 25th Street
Cheyenne, WY 82002

CAMECO RESOURCES

Smith Ranch-Highland
Operation

Mail:
P.O. Box 1210
Glenrock, WY
82637 USA

Tel: (307) 358-6541
Fax: (307) 358-4533
www.cameco.com

CERTIFIED MAIL #7011 0470 0000 7716 0430 RETURN RECEIPT REQUESTED

RE: Investigation Monitor Well Completion Reports, Excursion at CM-32
Cameco Resources, Smith Ranch Highland Uranium Project, Permit 633

Dear Ms. Rothwell,

On September 8, 2011, Power Resources, Inc. d/b/a Cameco Resources (Cameco) and the WDEQ/LQD conducted a close out meeting for the September 2011 Site Inspection. WDEQ/LQD requested that Cameco submit Completion Reports for the investigation monitor wells, CME-001 & CME-002, regarding the CM-32 Excursion. Attached please find the Well Casing and Completion Reports for these two wells.

Please contact Ken Garoutte @ 307-358-6541, ext 476 or Kenneth_Garoutte@cameco.com if you have any questions.

Respectfully,

A handwritten signature in black ink, appearing to read "Brent Berg".

Brent Berg
General Manager

BB/vg

cc: Cameco Resources – Cheyenne

cc: File HUP 4.3.3.1
Doug Mandeville, NRC (2 copies)
Document Control Desk, NRC

CERTIFIED MAIL # 7011 0470 0000 7716 0447
CERTIFIED MAIL # 7011 0470 0000 7716 0058



CAMECO RESOURCES

SMITH RANCH-HIGHLAND OPERATION

COMPLETION AND RECOMPLETION REPORT

WELL NUMBER
 HDR HSE
 HOLE DIAMETER
 CASING SIZE
 REAMED DIAMETER

DATE
 CONTRACTOR
 CAMECO REPRES.

LINER DATA

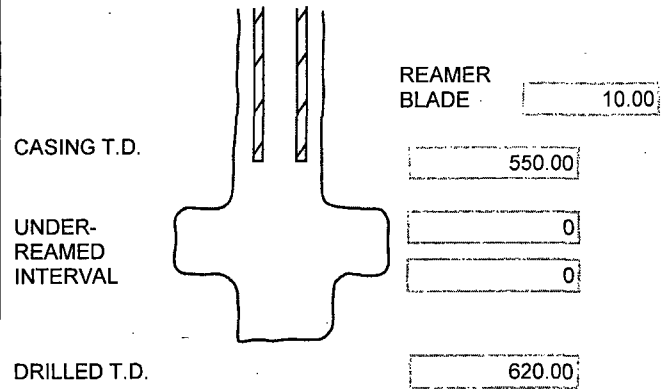
PACKER TYPE
 LINER DIAMETER
 SCREEN TYPE SLOT

GRAVEL

SIZE
 SACKS TAKEN

COMMENTS:

TAGGED TOP OF J COLLAR



	FEET	FROM	TO
TOP ASS'Y	3.00	544.00	547.00
BLANK	5.00	547.00	552.00
SCREEN	36.00	552.00	588.00
VALVE ASS'Y	2.00	588.00	590.00



CAMECO RESOURCES
SMITH RANCH-HIGHLAND OPERATION
WELL CASING REPORT

WELL NO.: CME-001
HEADER HOUSE: MON
DATE: 08-18-2001
COUNTY: Converse

ALIAS NAME:

DRILLING DATA

DRILLER: Kenny Crimm COMPANY: CRIMM DRILLING
T.D.: 620.00
HOLE SIZE: 5-5/8 inches MUD TYPE: DRISPAC/GEL

REMARKS:

[REMARKS AREA]

CASING:

JOINTS: 27 550.00
BOTTOM JOINT: 10
TOP OF CASING ABOVE SURFACE: 0.80
NUMBER OF CENTRALIZERS: 14.00

CEMENT:

BARRELS OF CEMENT: 28.50 SACKS OF CEMENT: 86.00
TYPE OF CEMENT: I/II CEMENT WEIGHT (#): 12.50
SACKS OF GEL: 4.00
DRY CEMENT USED IN UPPER 5 FEET: YES

DISPLACEMENT:

BBL FLUID: 12.90 BARITE SACKS: 0.20
CEMENTER: Kenny Crimm

CAMECO REPRESENTATIVE: Jeff Wilcox



**CAMECO RESOURCES
SMITH RANCH-HIGHLAND OPERATION
COMPLETION AND RECOMPLETION REPORT**

WELL NUMBER: CME-002
 HDR HSE: MON
 HOLE DIAMETER: 5-5/8 inches
 CASING SIZE: 5 inches
 REAMED DIAMETER: 8-3/4 inches

DATE: 06-13-2011
 CONTRACTOR: CRIMM DRILLING
 CAMECO REPRES.: Jeff Wilcox

LINER DATA

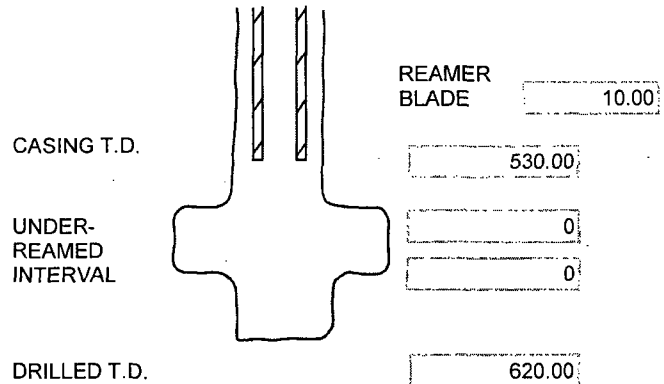
PACKER TYPE: FIGURE K
 LINER DIAMETER: 3
 SCREEN TYPE: Regular SLOT 0.30

GRAVEL

SIZE: 10/20 Mesh
 SACKS TAKEN: 26.00

COMMENTS:

TAGGED TOP OF J COLLAR: 522.00



	FEET	FROM	TO
TOP ASS'Y	3.00	522.00	525.00
BLANK	5.00	525.00	530.00
SCREEN	32.00	530.00	562.00
VALVE ASS'Y	2.00	562.00	564.00



CAMECO RESOURCES
SMITH RANCH-HIGHLAND OPERATION
WELL CASING REPORT

WELL NO.: CME-002
HEADER HOUSE: MON
DATE: 08-19-2001
COUNTY: Converse

ALIAS NAME:

DRILLING DATA

DRILLER: Kenny Crimm COMPANY: CRIMM DRILLING
T.D.: 620.00
HOLE SIZE: 5-5/8 inches MUD TYPE: DRISPAC/GEL

REMARKS:

[REMARKS AREA]

CASING:

JOINTS: 26 530.00
BOTTOM JOINT: 10
TOP OF CASING ABOVE SURFACE: 0.80
NUMBER OF CENTRALIZERS: 14.00

CEMENT:

BARRELS OF CEMENT: 27.30 SACKS OF CEMENT: 83.00
TYPE OF CEMENT: I/II CEMENT WEIGHT (#): 12.50
SACKS OF GEL: 3.00
DRY CEMENT USED IN UPPER 5 FEET: YES

DISPLACEMENT:

BBL FLUID: 12.40 BARITE SACKS: 0.00
CEMENTER: Kenny Crimm

CAMECO REPRESENTATIVE: Jeff Wilcox