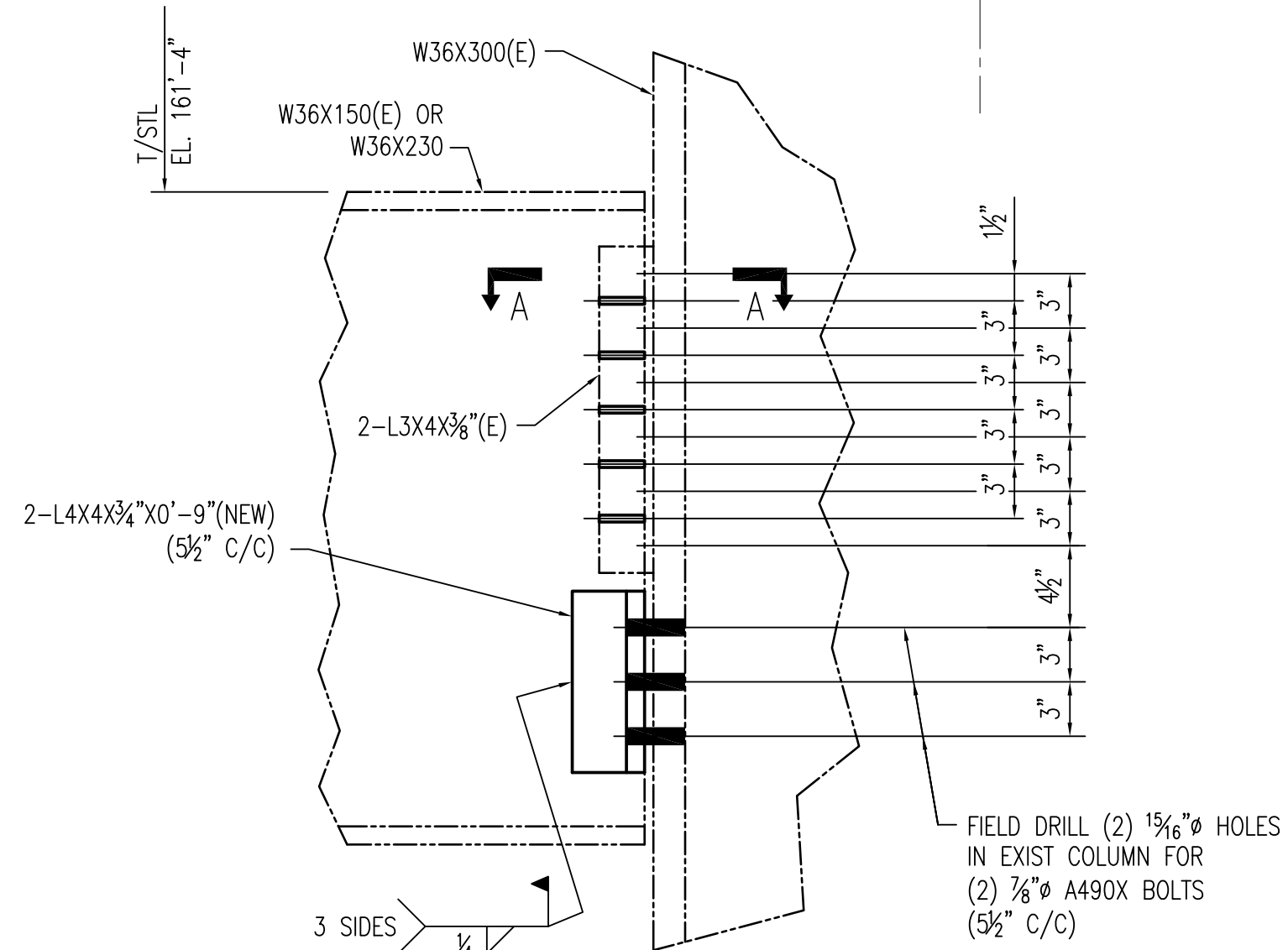
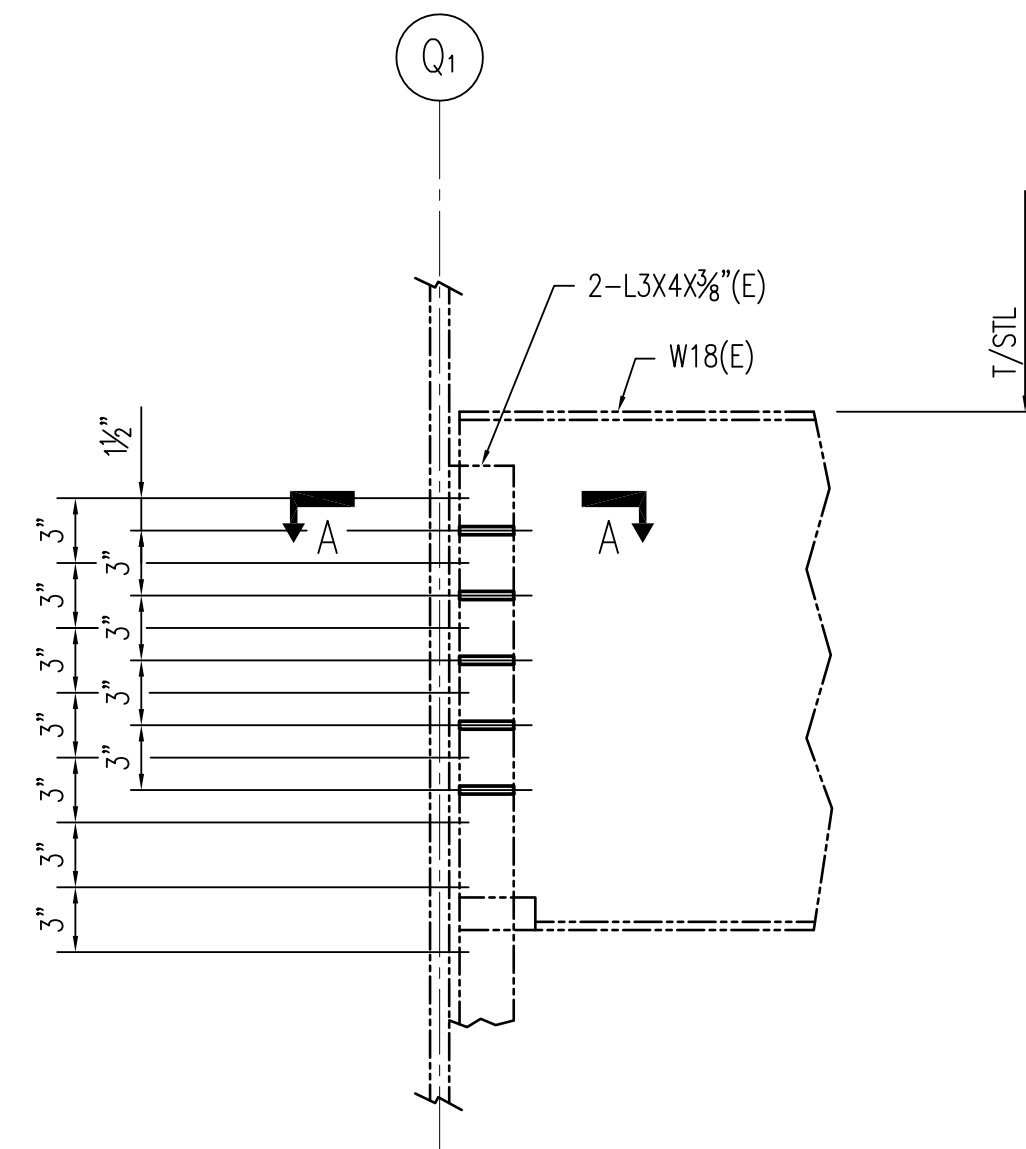


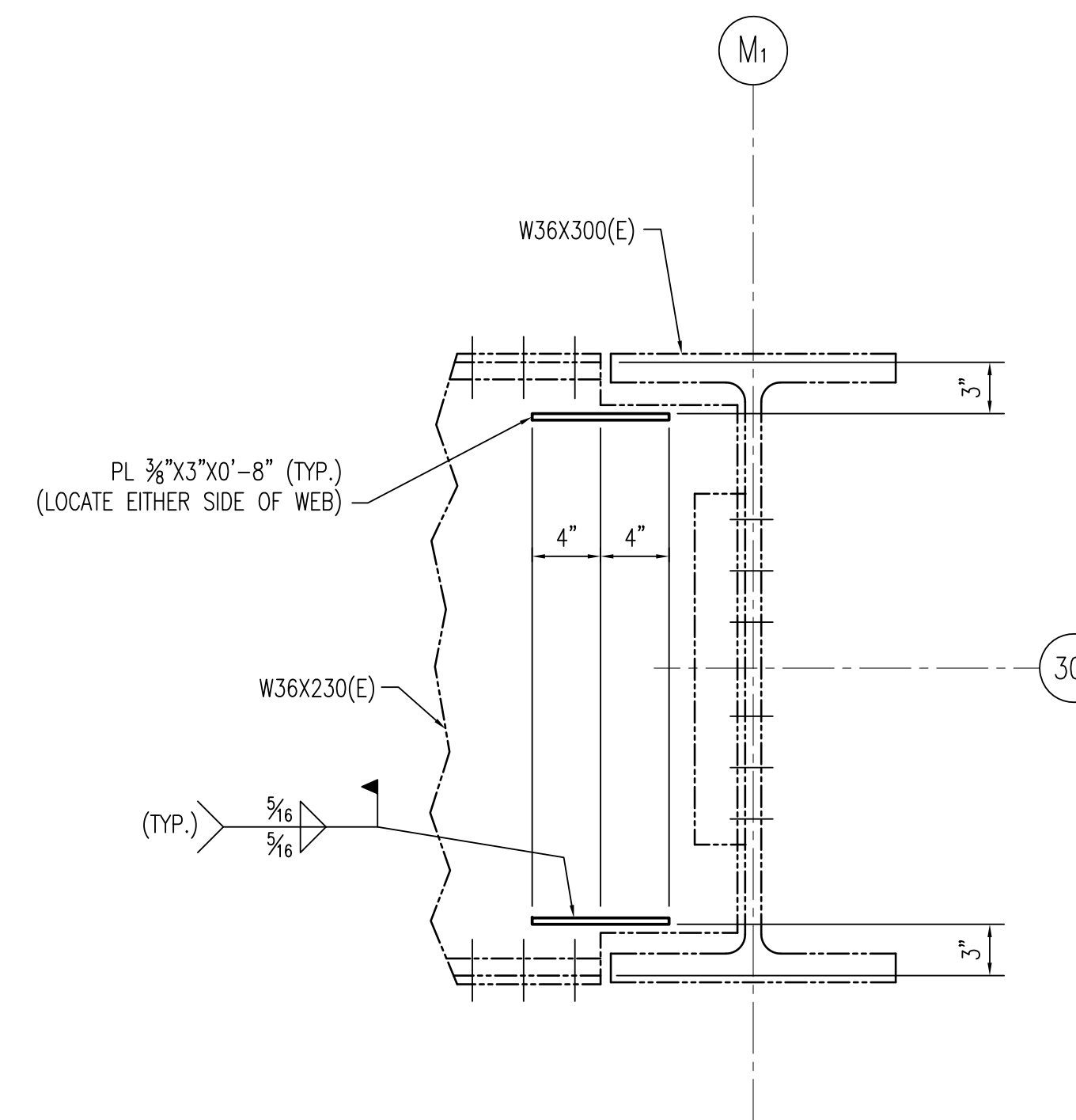
DETAIL 1
SCALE: 1/2"=1'-0"
DWG. 522-041-010



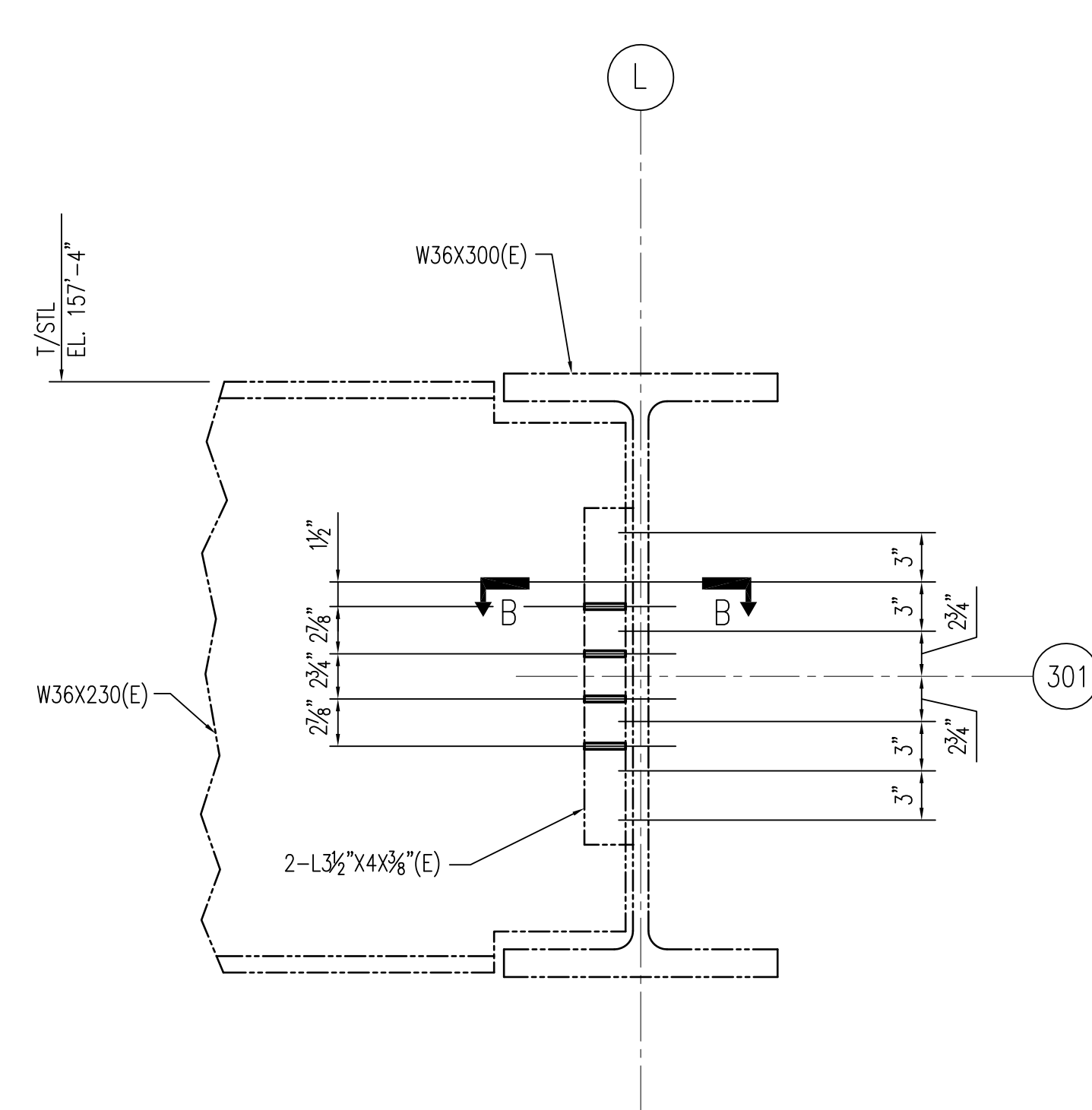
DETAIL 2
SCALE: 1/2"=1'-0"
DWG. 522-041-010



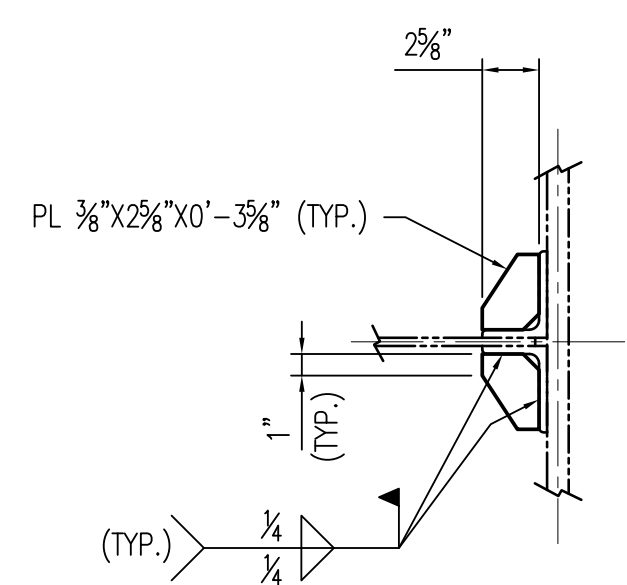
DETAIL 3
SCALE: 1/2"=1'-0"
DWG. 522-041-010



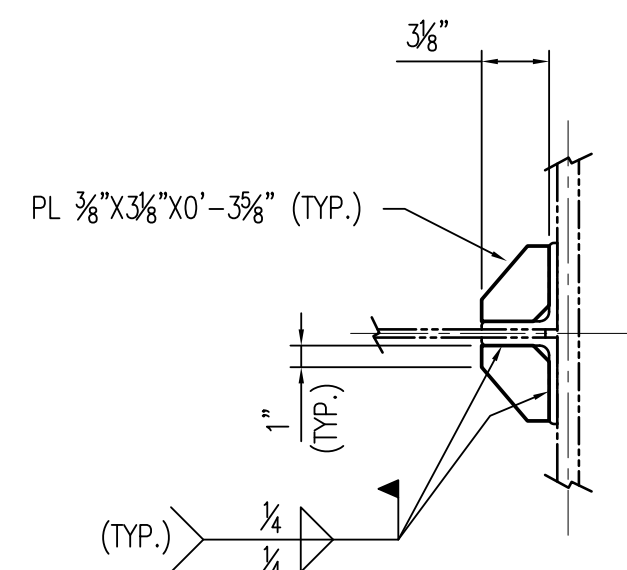
DETAIL 4
SCALE: 1/2"=1'-0"
DWG. 522-041-010



DETAIL 5
SCALE: 1/2"=1'-0"
DWG. 522-041-010



SECTION A-A
SCALE: 1/2"=1'-0"

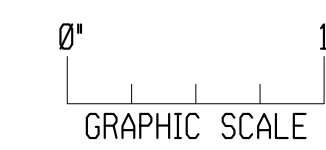


SECTION B-B
SCALE: 1/2"=1'-0"

301 (AS SHOWN)
302A (OPP HAND)

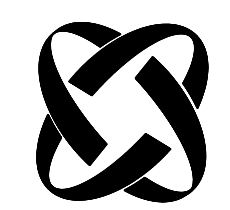
FIELD DRILL (2) 1 5/16" Ø HOLES
IN EXIST COLUMN FOR
(2) 7/8" Ø A490X BOLTS
(5 1/2" C/C)

EC70139 REV. 0
ATTACHMENT Z92R0
DWG. NO. 522-041-016



NOTES:
1. FOR GENERAL NOTES SEE DWG. 522-041-001.

REFERENCES:
522-041-010

NO.	DESCRIPTION	DRAWN
REVISIONS		
 NUCLEAR ENGINEERING CRYSTAL RIVER UNIT 3 AUXILIARY BUILDING - SOUTH STEEL FRAMING MODIFICATIONS DETAILS		
EWN DRAWN	MPB CHKD.	X APRVD.
12/9/10 DATE		NONE SCALE
016 SHEET	522-041	
DISCP.	DWG.	REV.