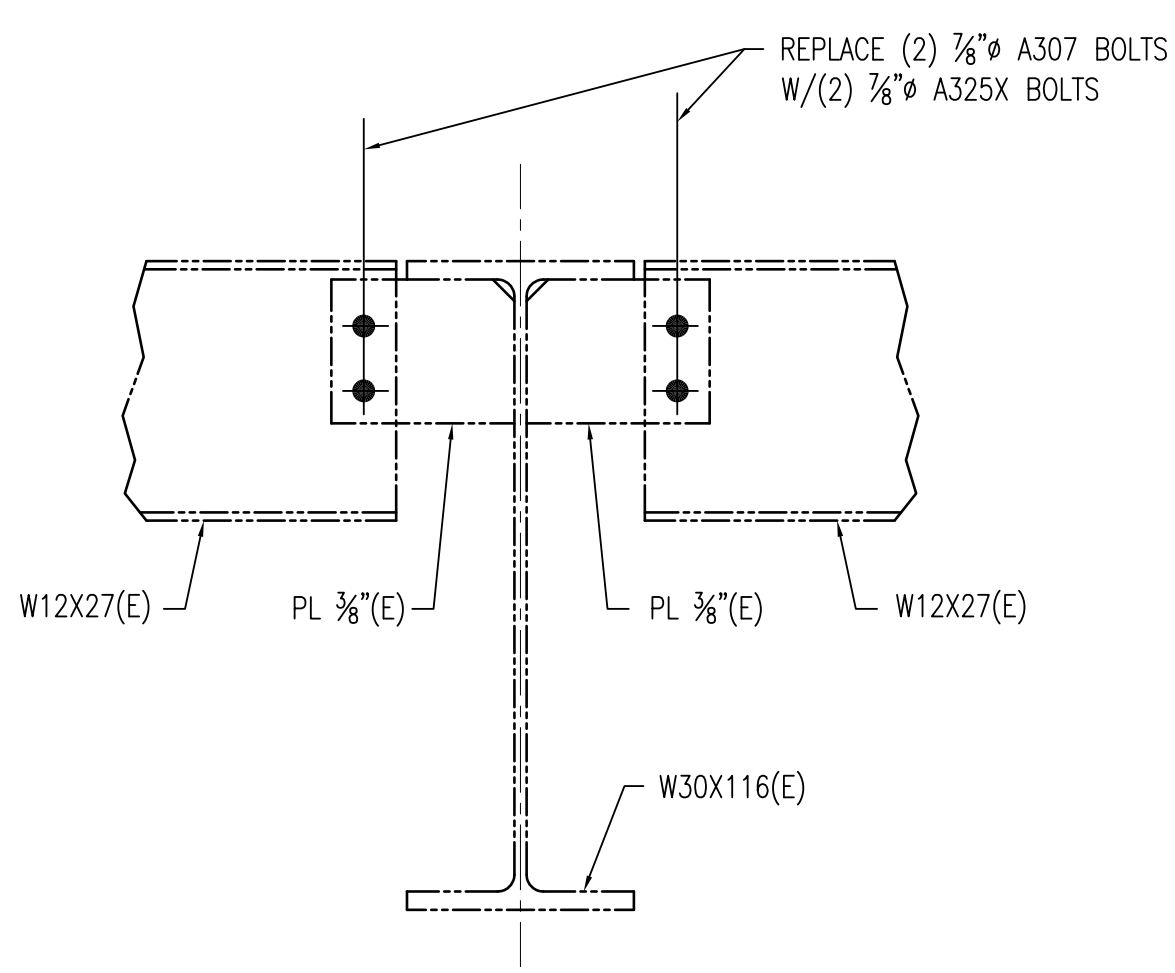
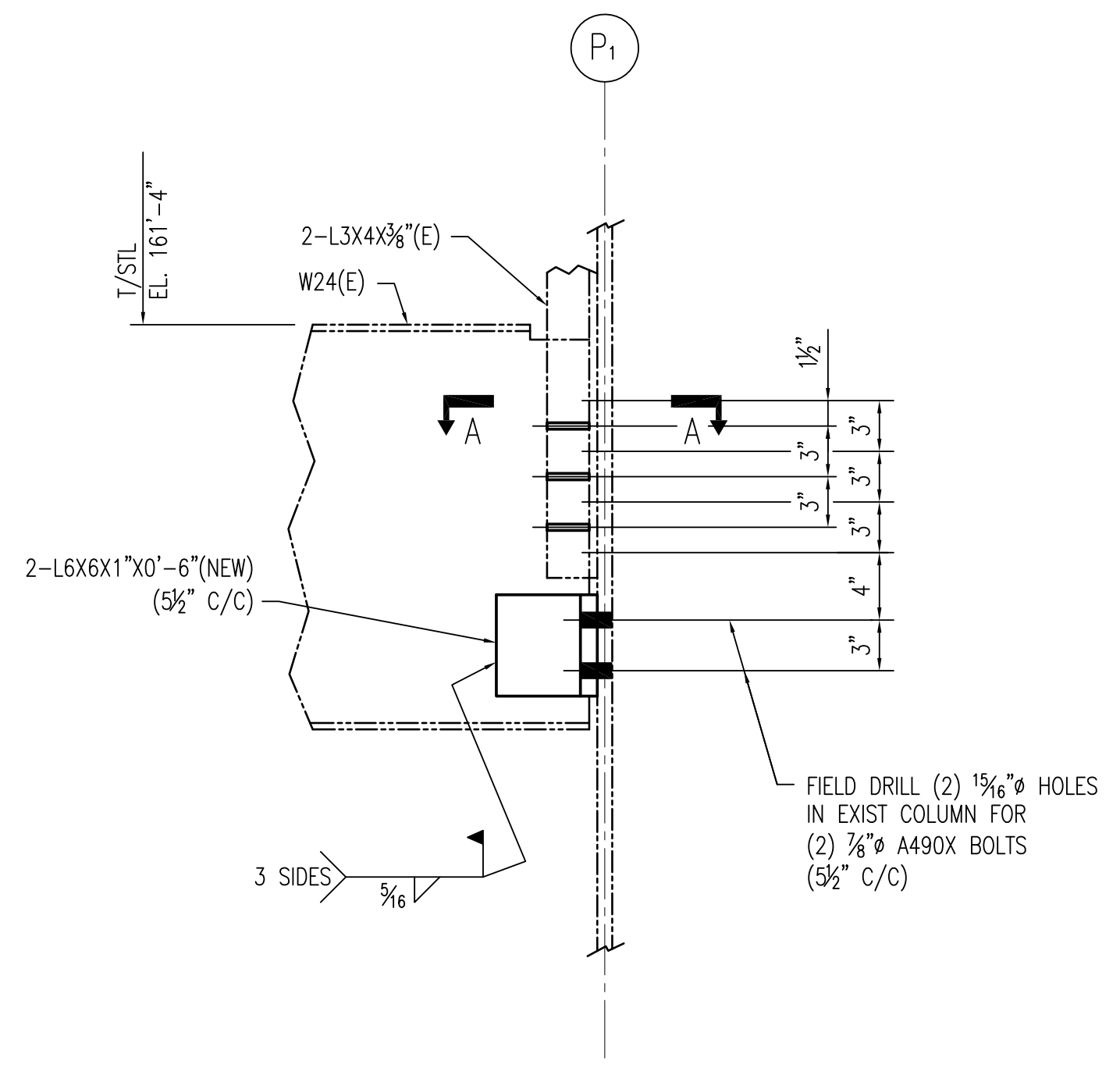


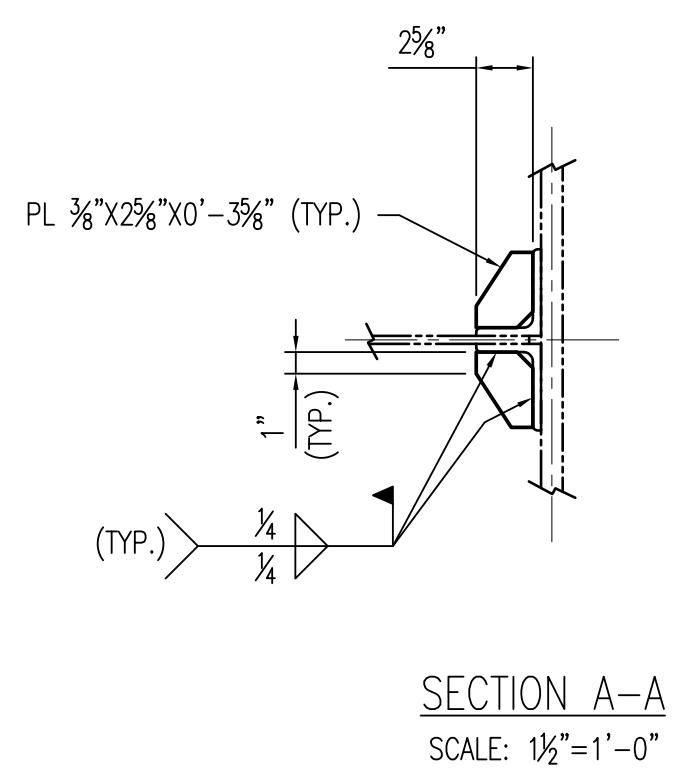
DETAIL 1
SCALE: 1/2"=1'-0"
DWG. S-522-003



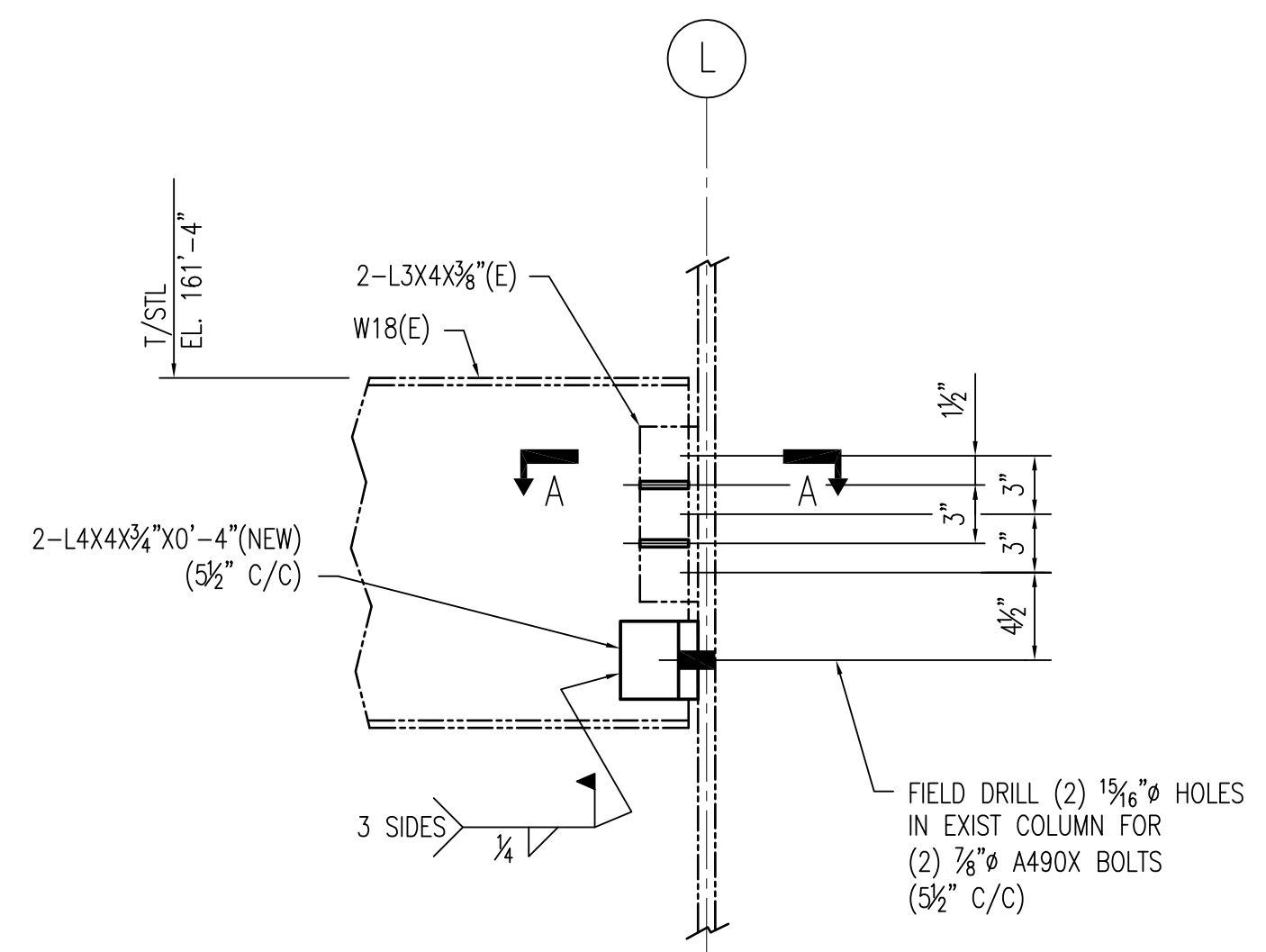
DETAIL 2
SCALE: 1/2"=1'-0"
DWG. S-522-004



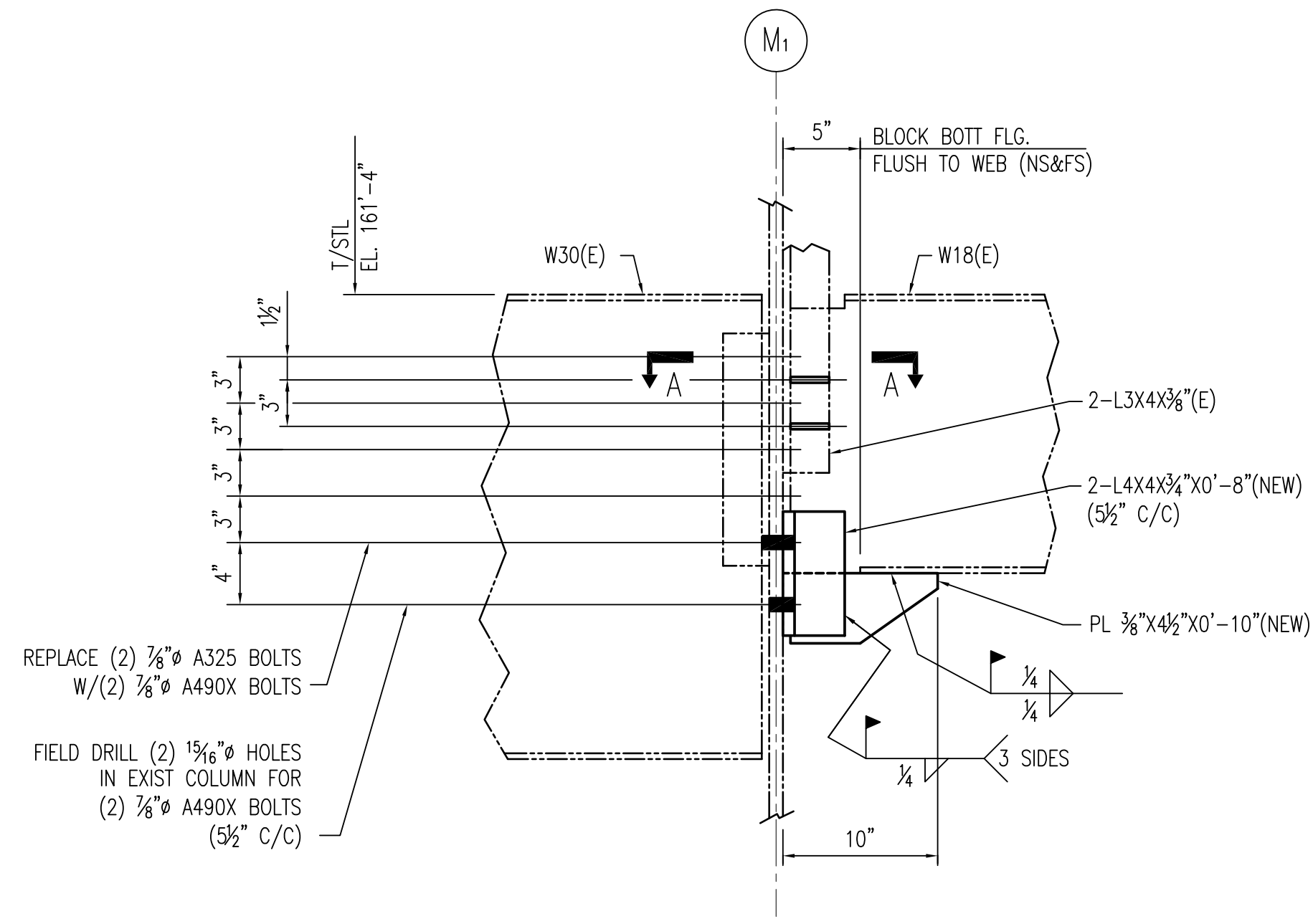
DETAIL 3
SCALE: 1/2"=1'-0"
DWG. 522-041-010



SECTION A-A
SCALE: 1/2"=1'-0"



DETAIL 4
SCALE: 1/2"=1'-0"
DWG. 522-041-010

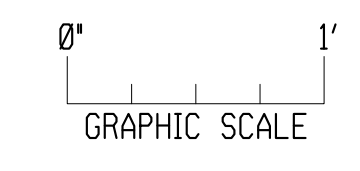


DETAIL 5
SCALE: 1/2"=1'-0"
DWG. 522-041-010

NOTES:
1. FOR GENERAL NOTES SEE DWG. 522-041-001.

REFERENCES:
522-003
522-004
522-041-010

EC70139 REV. 0
ATTACHMENT Z91R0
DWG. NO. 522-041-015



NO.		DESCRIPTION		DRAWN
REVISIONS				
		NUCLEAR ENGINEERING		
		CRYSTAL RIVER UNIT 3		
AUXILIARY BUILDING - SOUTH STEEL FRAMING MODIFICATIONS DETAILS				
EWN DRAWN	MPB CHKD.	X APRVD.	12/9/10 DATE	NONE SCALE
C DISCP.	015 SHEET	DWG.	522-041	REV.