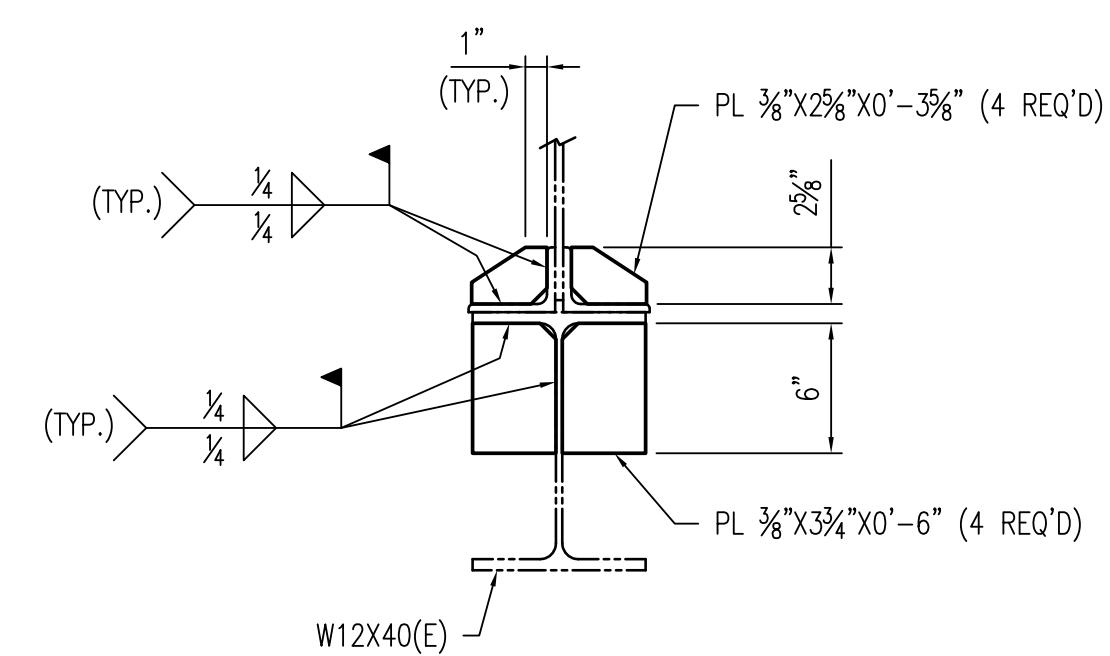


DETAIL 1
SCALE: 1/2"=1'-0"
DWG. 522-041-001

DETAIL 2
SCALE: 1/2"=1'-0"
DWG. 522-041-001

DETAIL 3
SCALE: 1/2"=1'-0"
DWG. 522-041-001

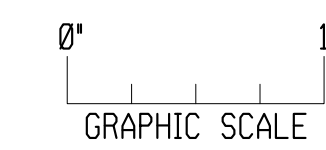


SECTION A-A
SCALE: 1/2"=1'-0"

NOTE A:
STIFFENER PLATE MAY BE LOCATED ON EITHER SIDE OF GUSSET PLATE

NOTES:
1. FOR GENERAL NOTES SEE DWG. 522-041-001.
REFERENCES:
522-041-001

EC70139 REV. 0
ATTACHMENT Z50R0
DWG. NO. 522-041-008



NO.		DESCRIPTION		DRAWN	
REVISIONS					
NUCLEAR ENGINEERING					
CRYSTAL RIVER UNIT 3					
AUXILIARY BUILDING - SOUTH STEEL FRAMING MODIFICATIONS DETAILS					
EWN	MPB	X	12/9/10	NONE	
DRAWN	CHKD.	APRVD.	DATE	SCALE	
C	008	DWG.	522-041	REV.	
DISCP.		SHEET		REV.	