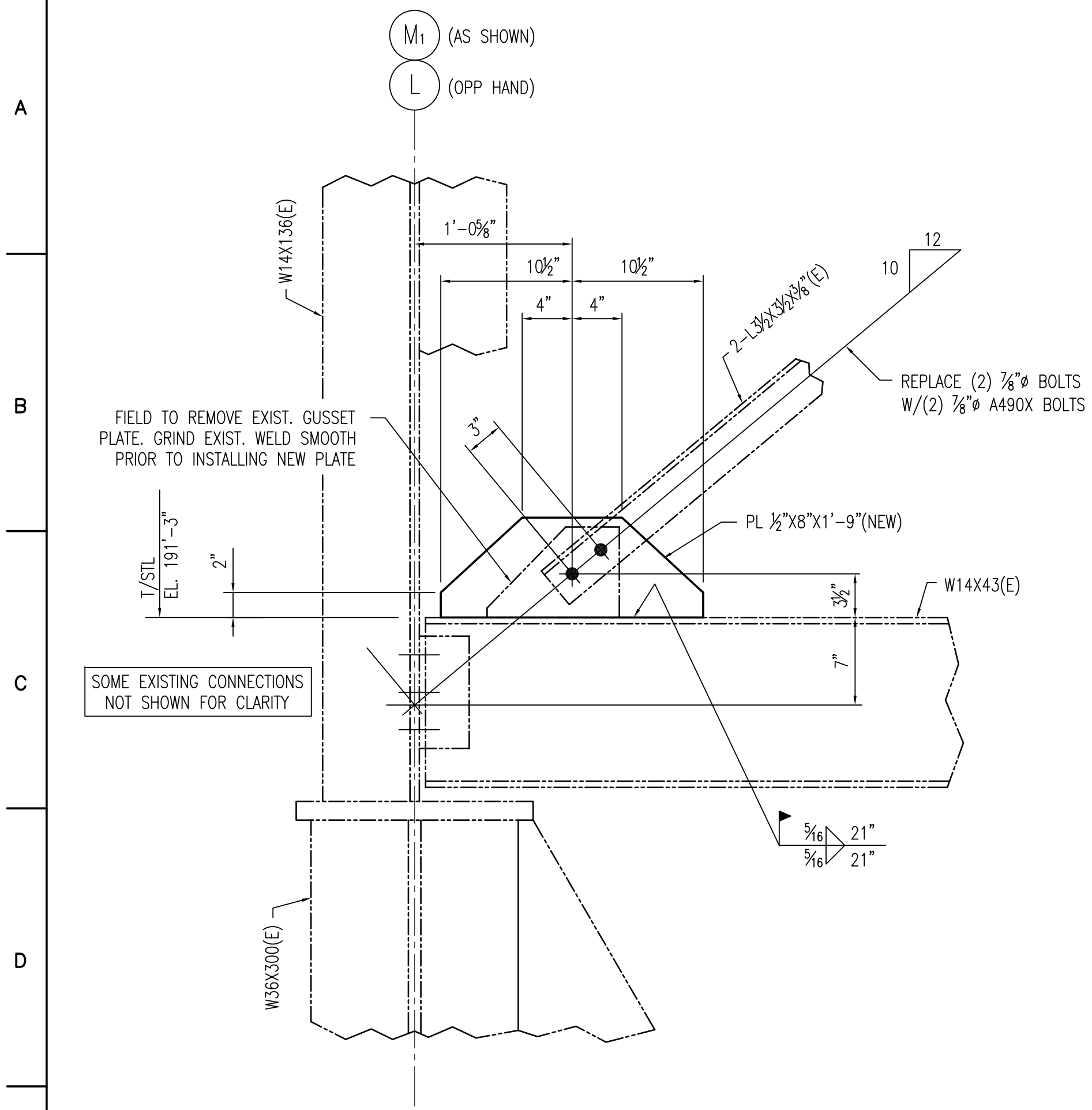
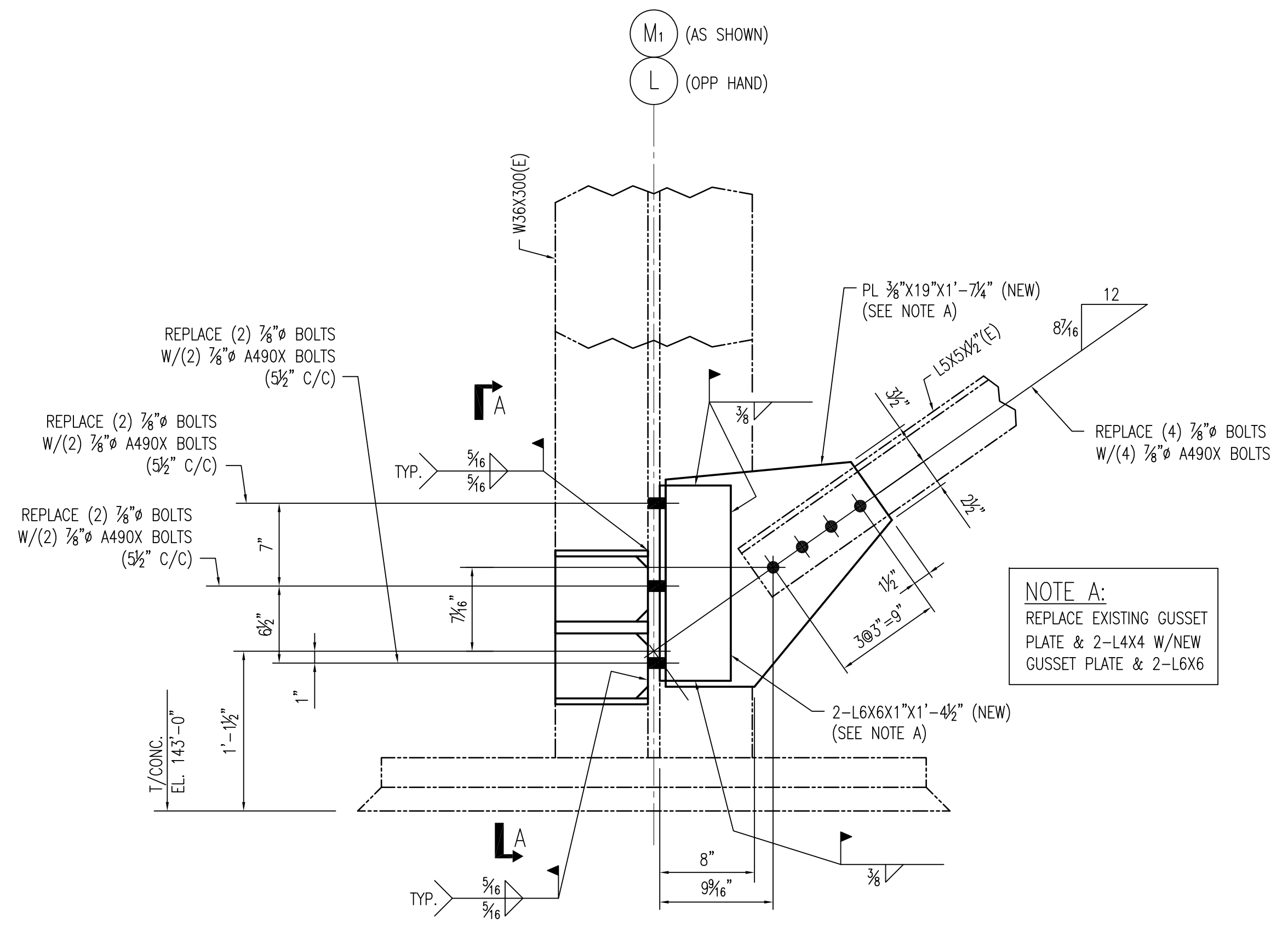


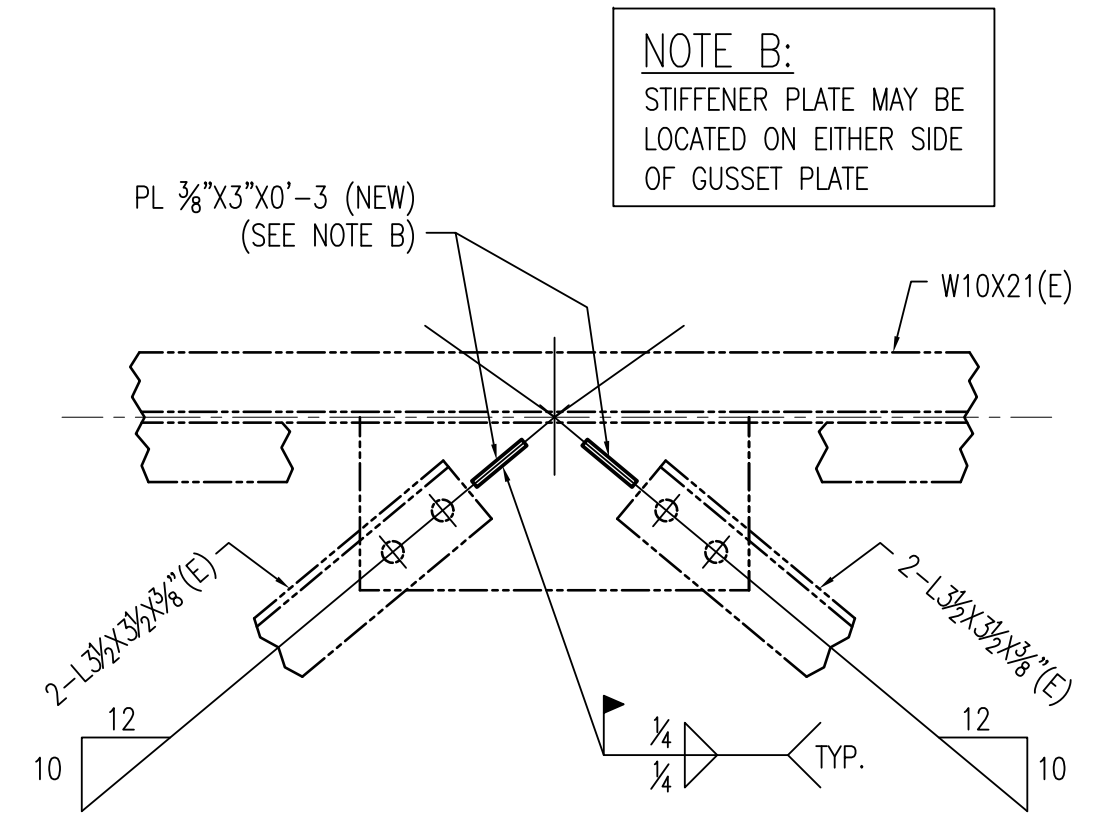
1 2 3 4 5 6 7 8 9 10 KEY NO.: E



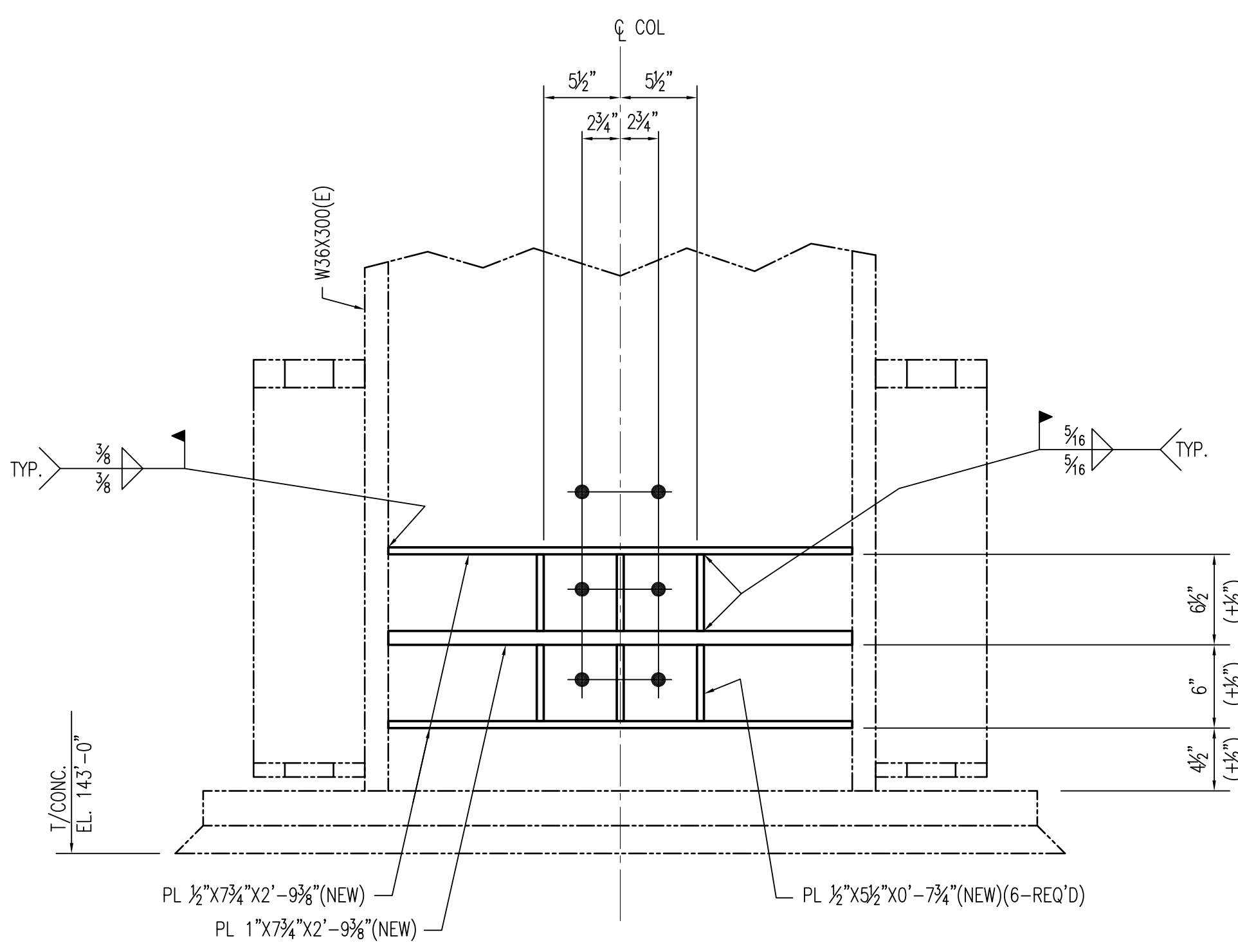
DETAIL 1
SCALE: 1/2"=1'-0"



DETAIL 2
SCALE: 1/2"=1'-0"
DWG. 522-041-001



DETAIL 3
SCALE: 1/2"=1'-0"



SECTION A-A
SCALE: 1/2"=1'-0"

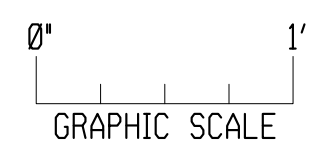
NOTE A:
REPLACE EXISTING GUSSET
PLATE & 2-L4X4 W/NEW
GUSSET PLATE & 2-L6X6

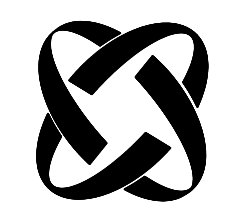
NOTE B:
STIFFENER PLATE MAY BE
LOCATED ON EITHER SIDE
OF GUSSET PLATE

NOTES:
1. FOR GENERAL NOTES SEE DWG. 522-041-001.

REFERENCES:
522-041-001

EC70139 REV. 0
ATTACHMENT Z48R0
DWG. NO. 522-041-006



NO.		DESCRIPTION		DRAWN
REVISIONS				
 NUCLEAR ENGINEERING CRYSTAL RIVER UNIT 3 AUXILIARY BUILDING - SOUTH STEEL FRAMING MODIFICATIONS DETAILS				
EWN DRAWN	MPB CHKD.	X APRVD.	12/9/10 DATE	NONE SCALE
C DISCP.	006 SHEET	DWG.	522-041	REV.