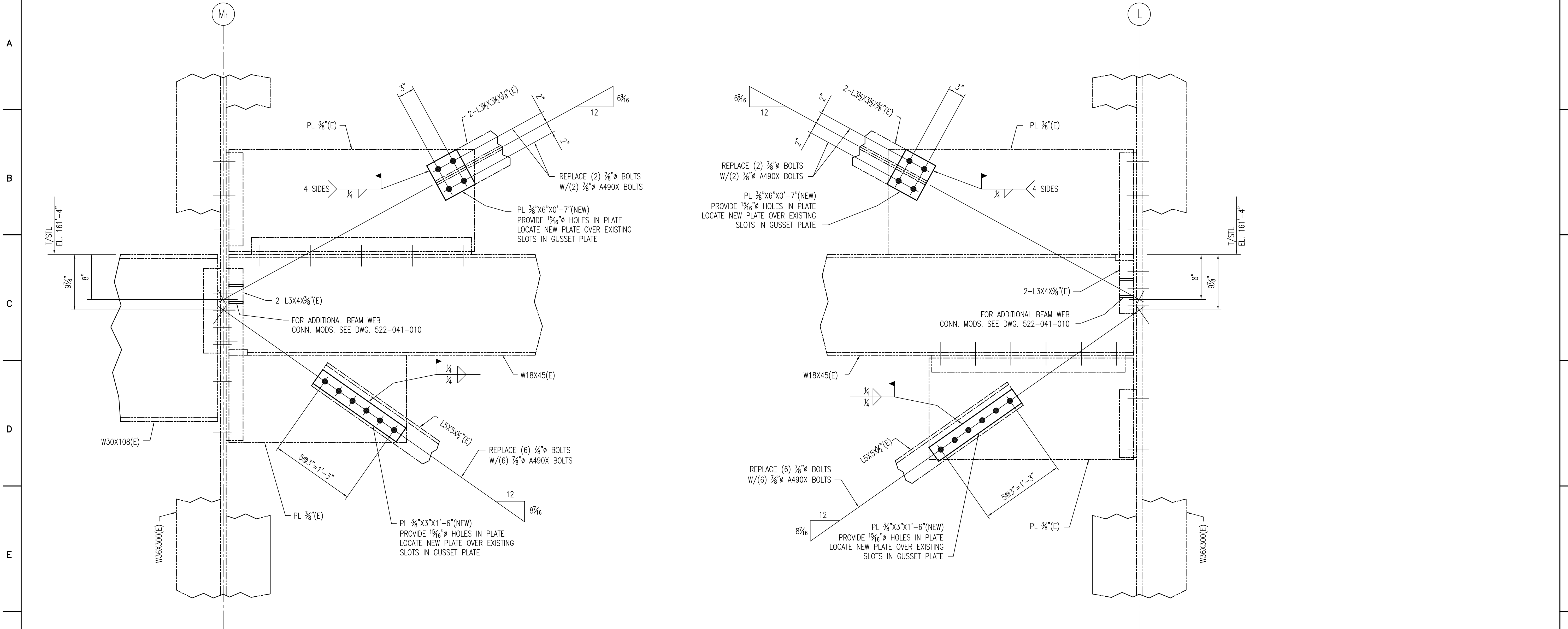


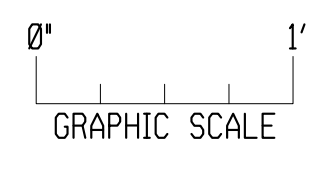
1 2 3 4 5 6 7 8 9 10 KEY NO.: E



NOTES:
1. FOR GENERAL NOTES SEE DWG. 522-041-001.

REFERENCES:
522-041-001

EC70139 REV. 0
ATTACHMENT Z122R0
DWG. NO. 522-041-024



NO.		DESCRIPTION		DRAWN	
REVISIONS					
NUCLEAR ENGINEERING					
CRYSTAL RIVER UNIT 3					
AUXILIARY BUILDING - SOUTH STEEL FRAMING MODIFICATIONS DETAILS					
EWN	MPB	X	12/9/10	NONE	
DRAWN	CHKD.	APRVD.	DATE	SCALE	
C	024		522-041	Q	
DISCP.	SHEET	DWG.		REV.	