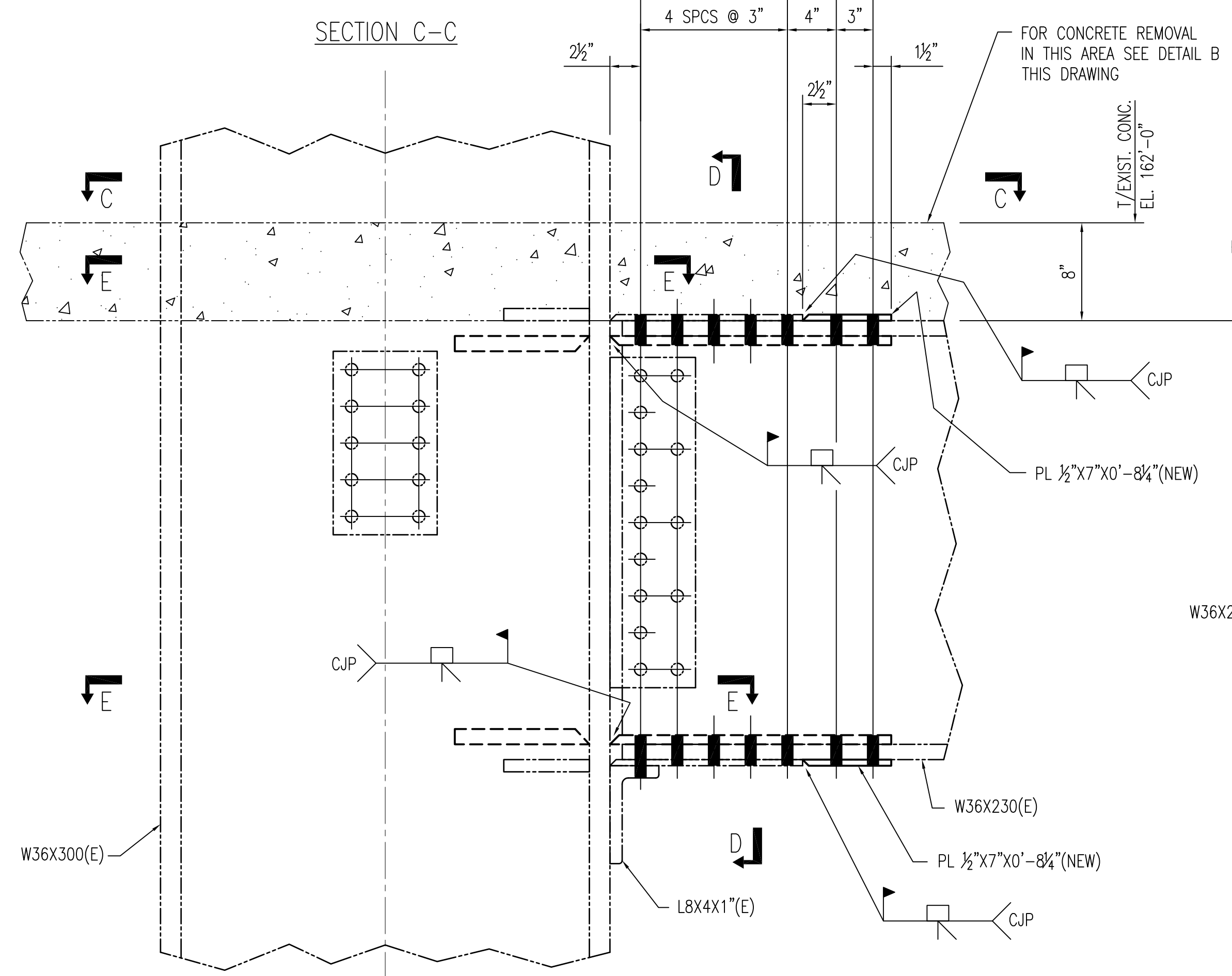
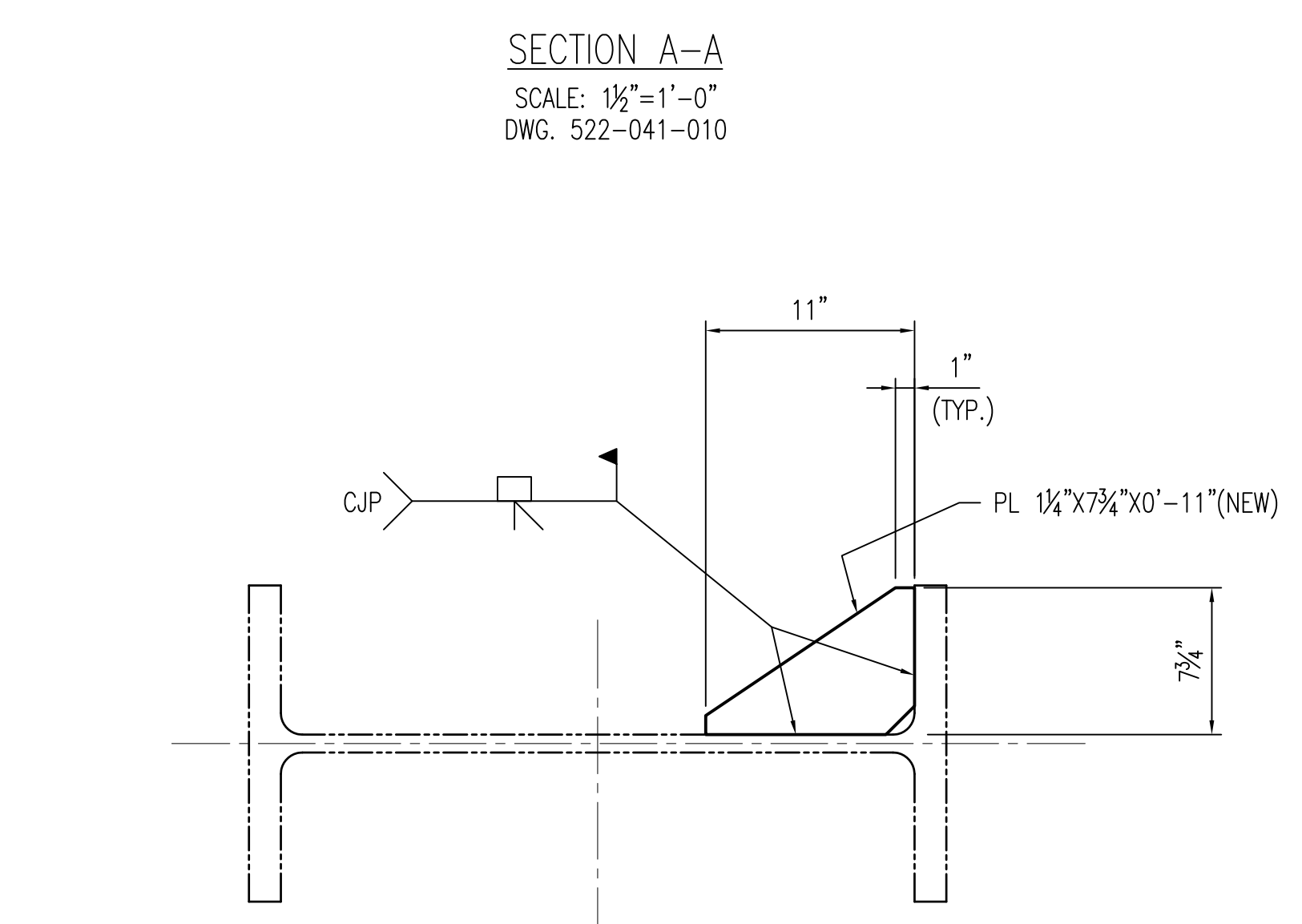


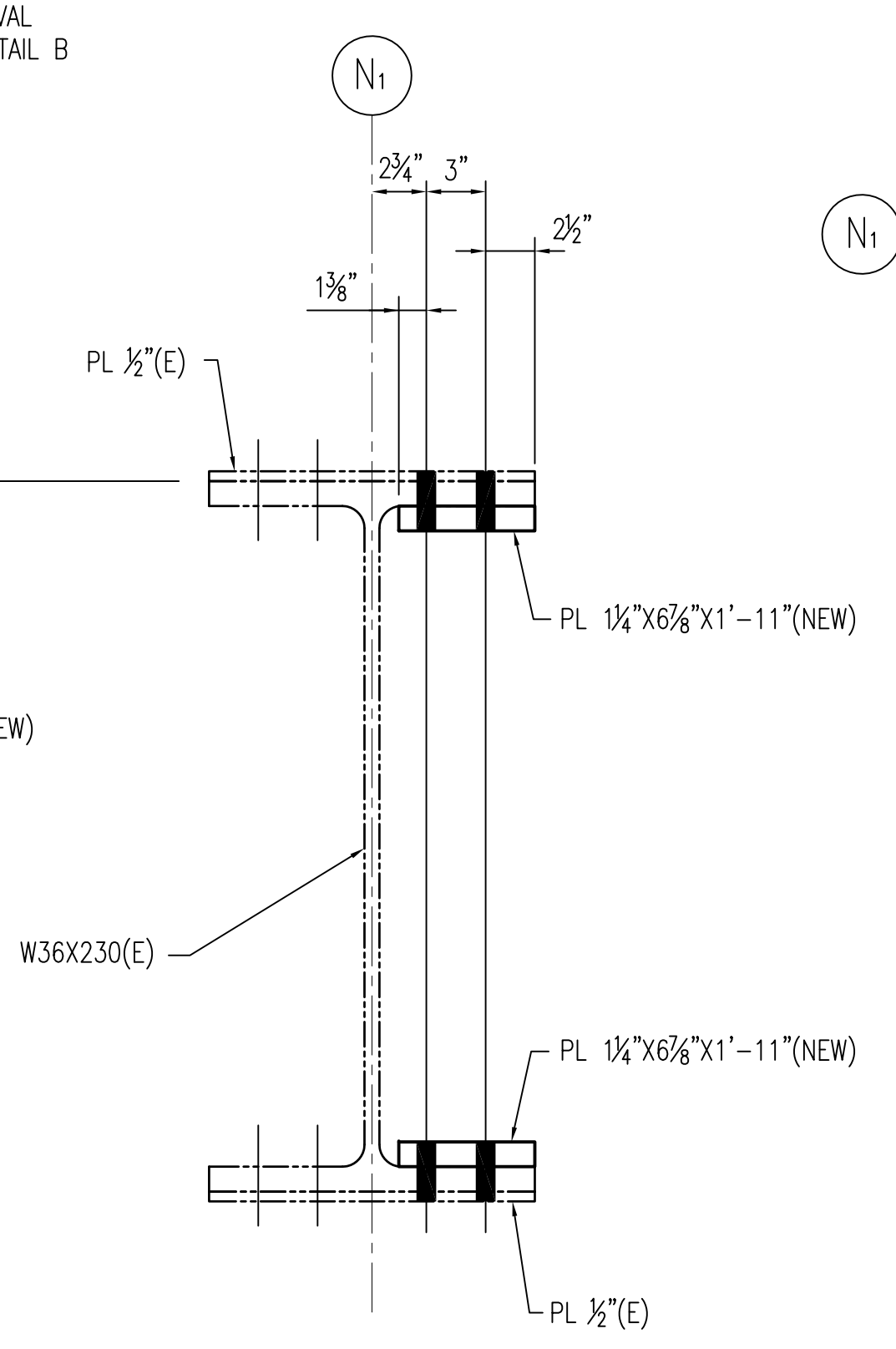
SECTION C-C



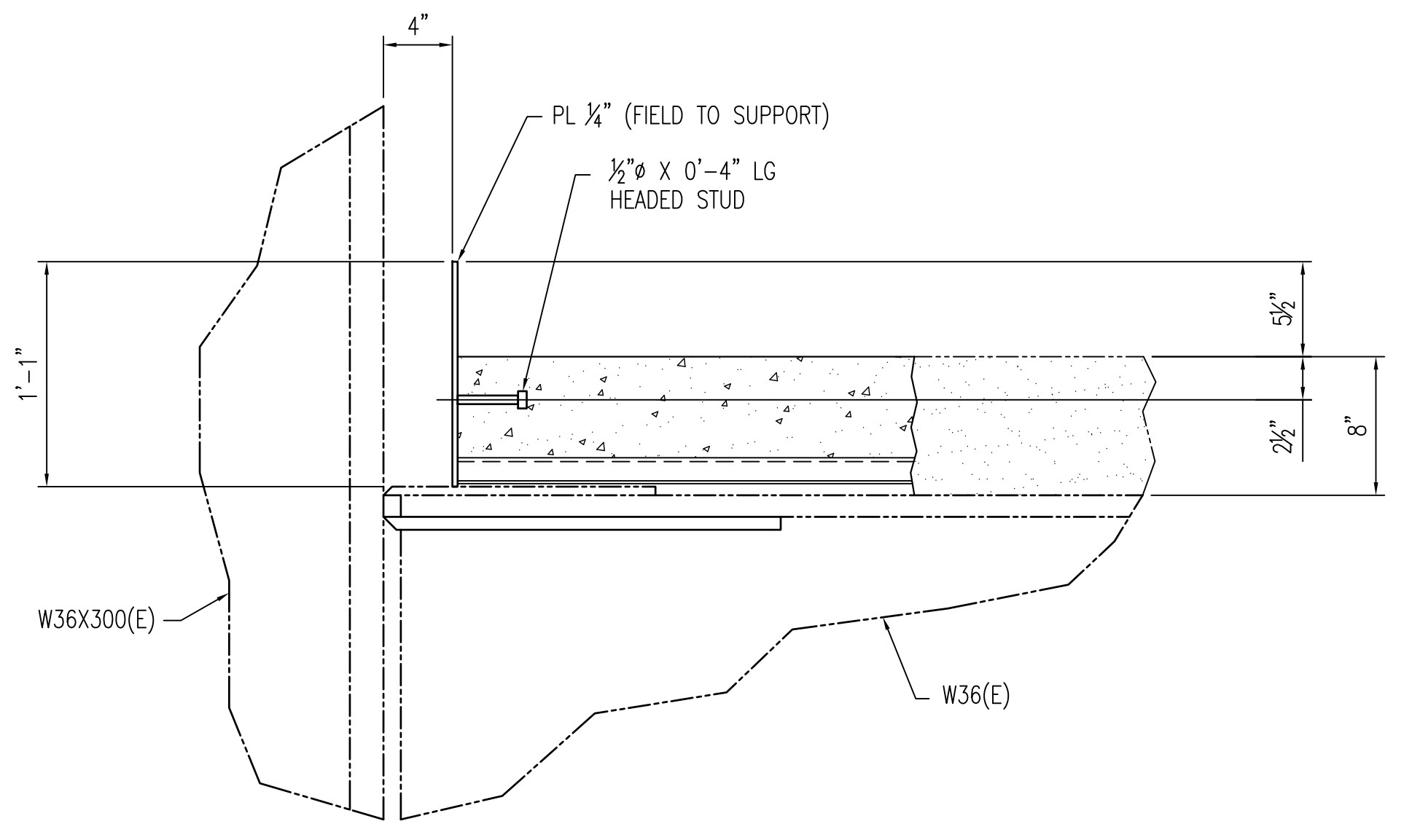
SECTION A-A
SCALE: 1/2"=1'-0"
DWG. 522-041-010



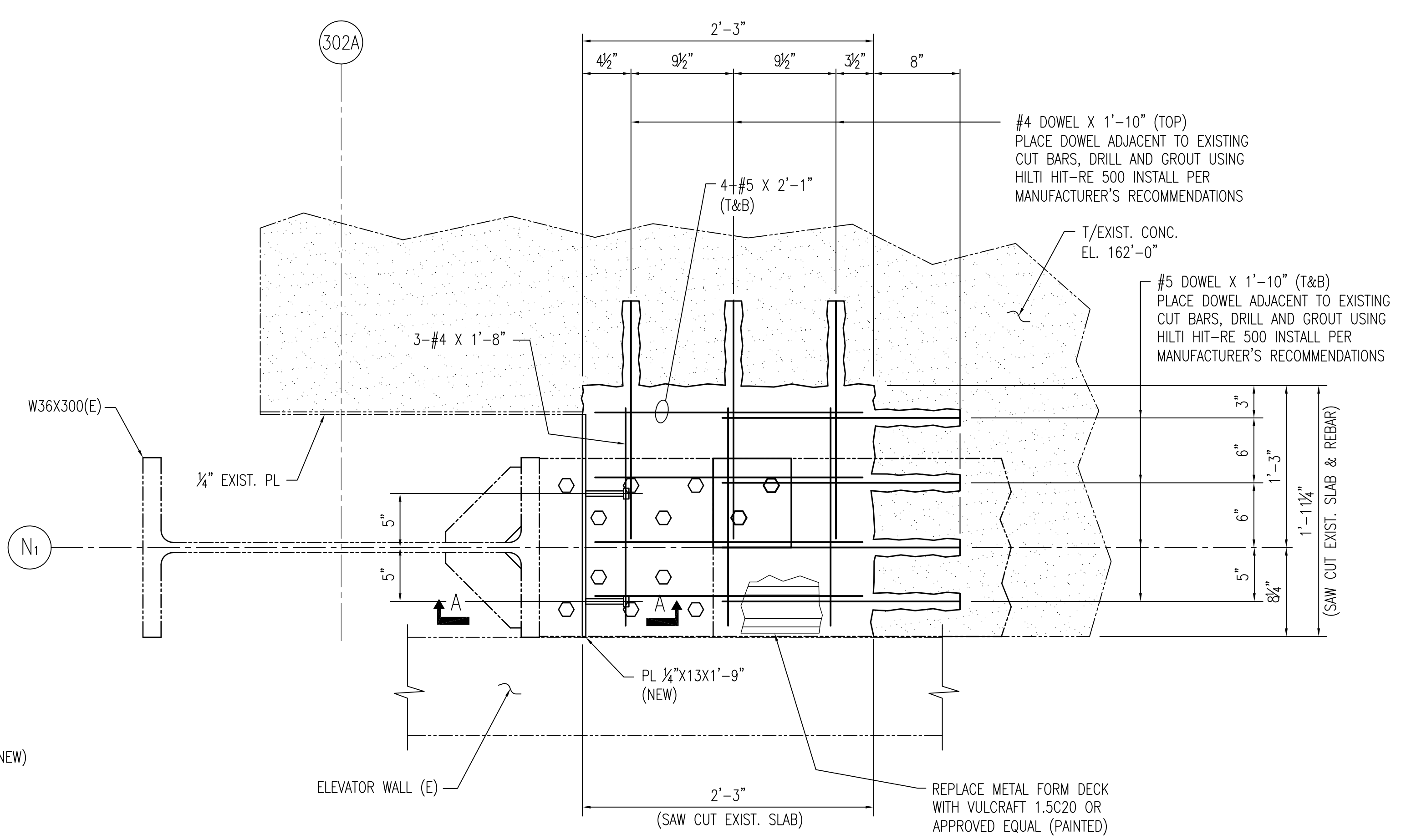
SECTION E-E



SECTION D-D



SECTION A-A
SCALE: 1/2"=1'-0"



DETAIL B
SCALE: 1/2"=1'-0"

NOTE:
REPLACE CONCRETE SLAB WITH
4000PSI CONCRETE. FINISH TO
MATCH EXISTING.

NOTES:
1. FOR GENERAL NOTES SEE DWG. 522-041-001.

REFERENCES:
522-041-010

EC70139 REV. 0
ATTACHMENT Z121R0
DWG. NO. 522-041-023

0" 1'
GRAPHIC SCALE

NO.	DESCRIPTION	DRAWN
REVISIONS		
NUCLEAR ENGINEERING		
CRYSTAL RIVER UNIT 3		
AUXILIARY BUILDING - SOUTH STEEL FRAMING MODIFICATIONS DETAILS		
EWN DRAWN	MPB CHKD.	X APRVD.
12/9/10 DATE		NQNE SCALE
023 SHEET	522-041	
DISC.	DWG.	REV.



FILE