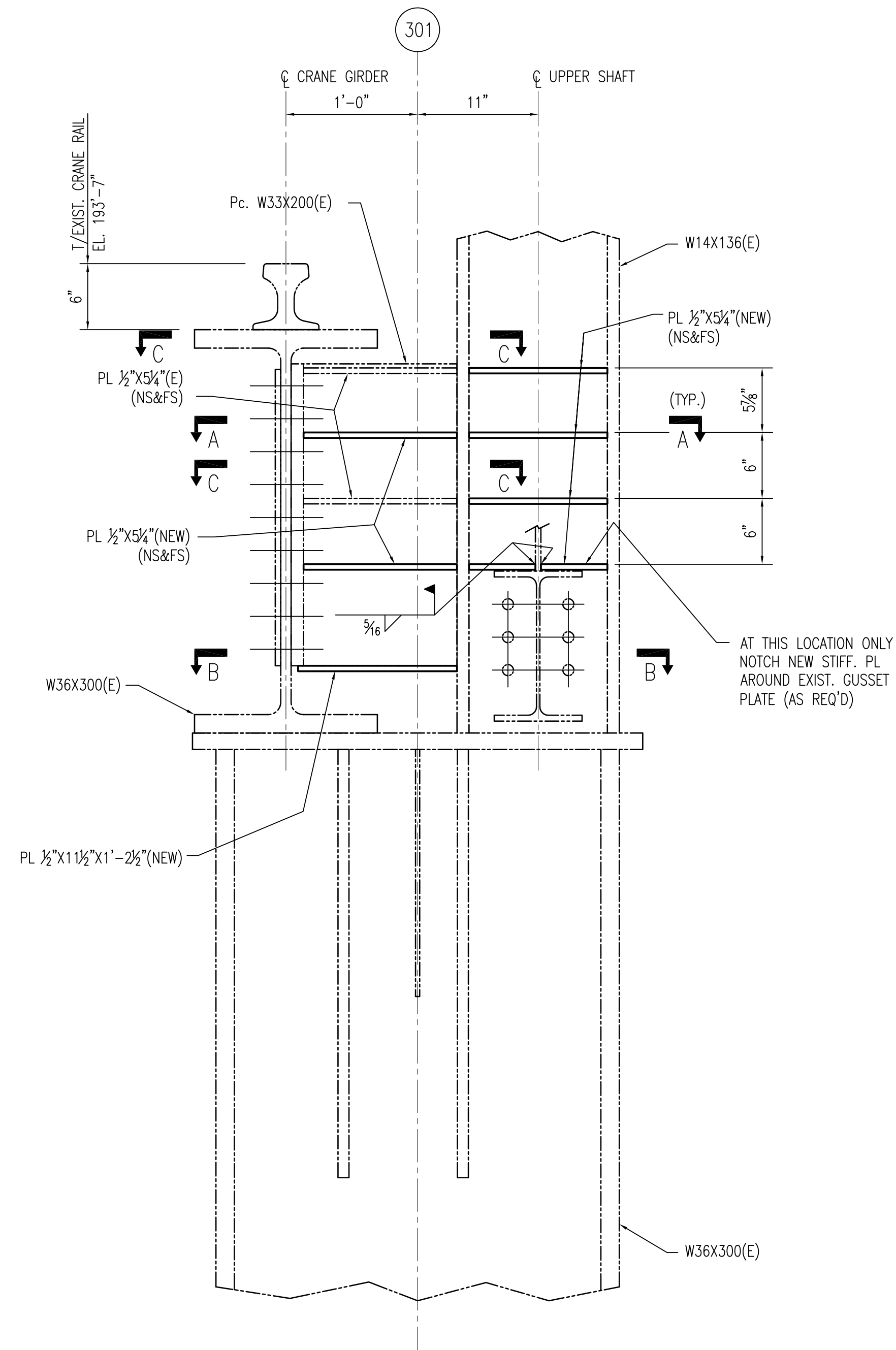


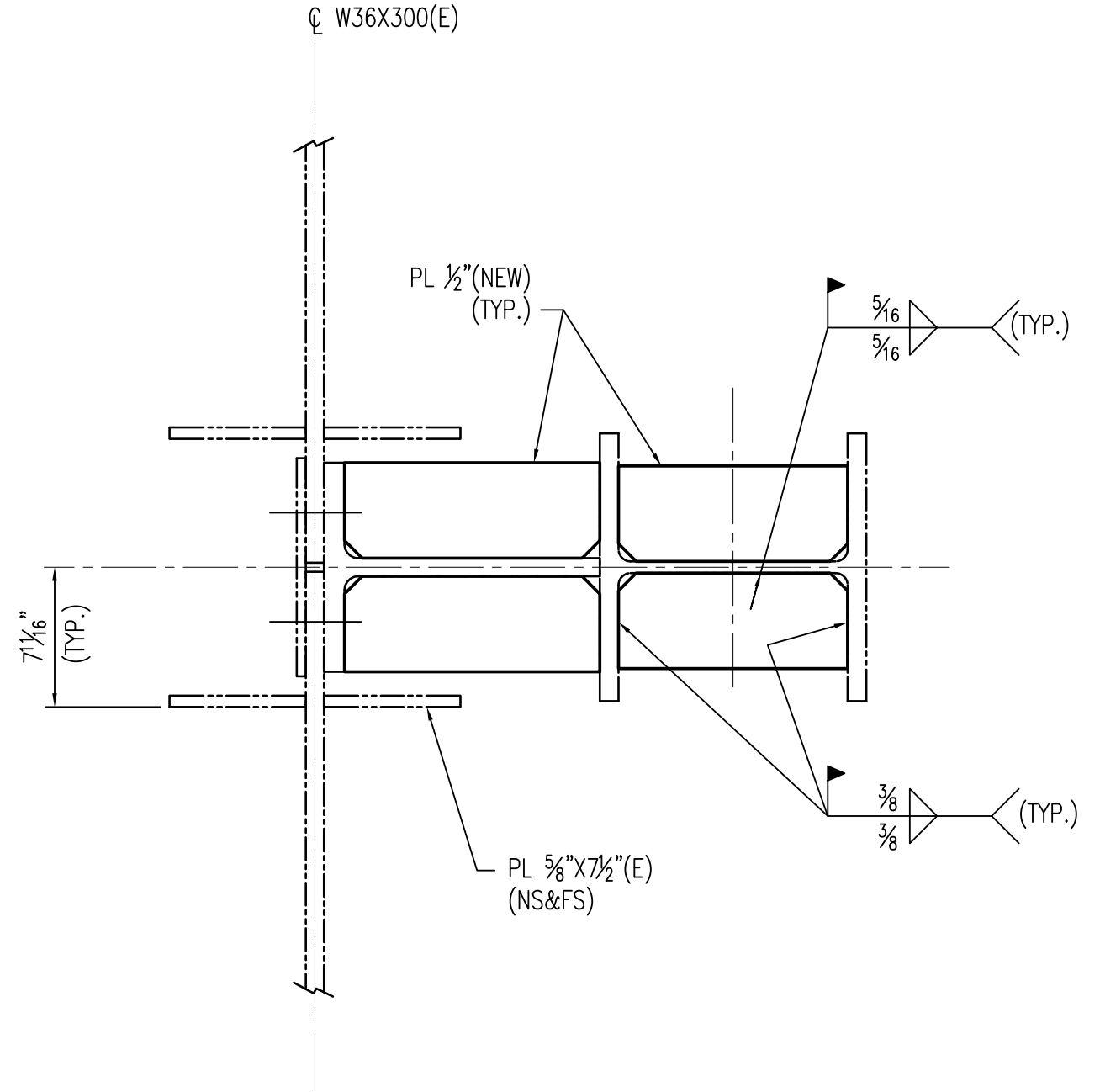
1 2 3 4 5 6 7 8 9 10 KEY NO.: E

A
B
C
D
E
F
G
H

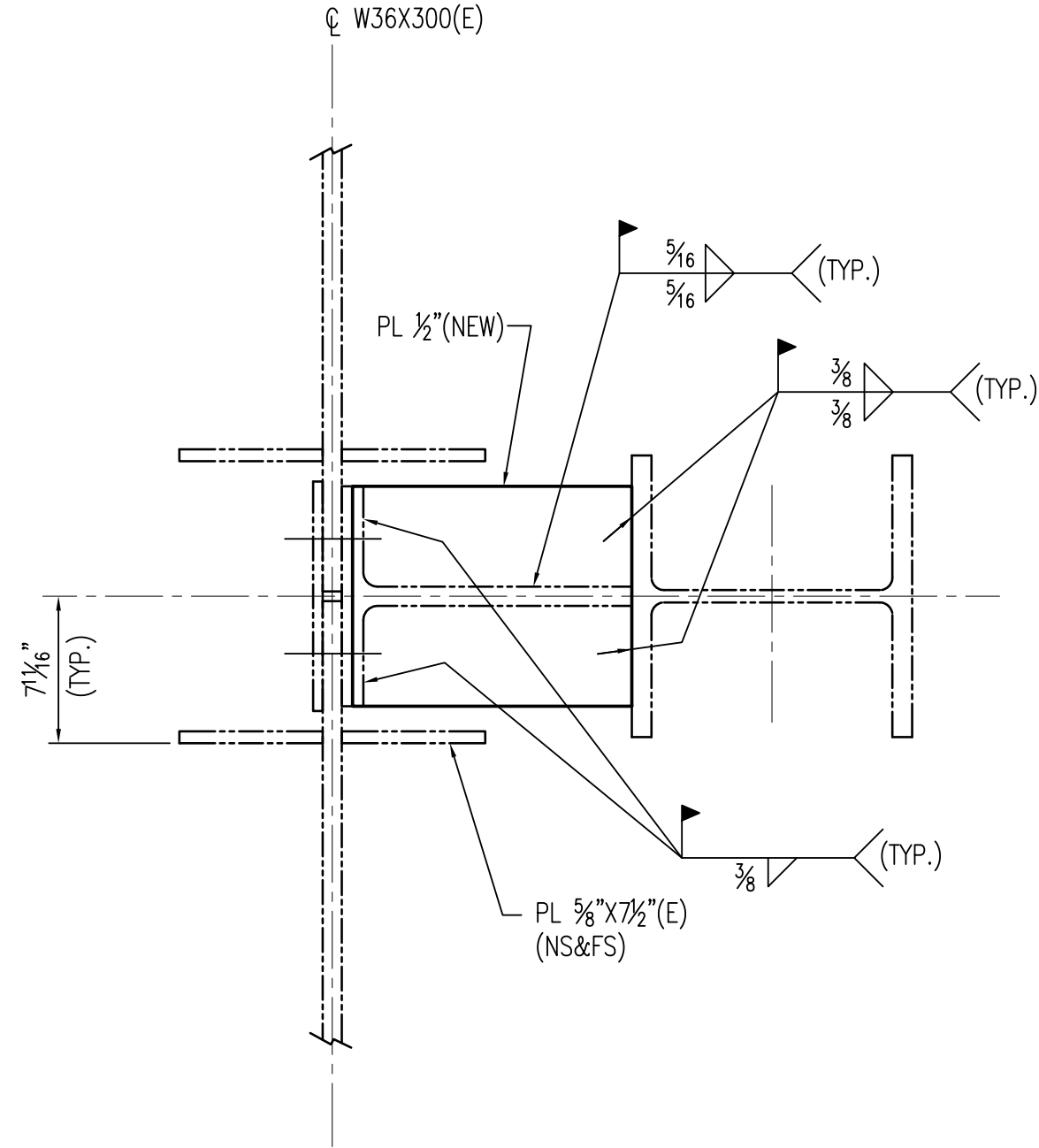
A
B
C
D
E
F
G
H



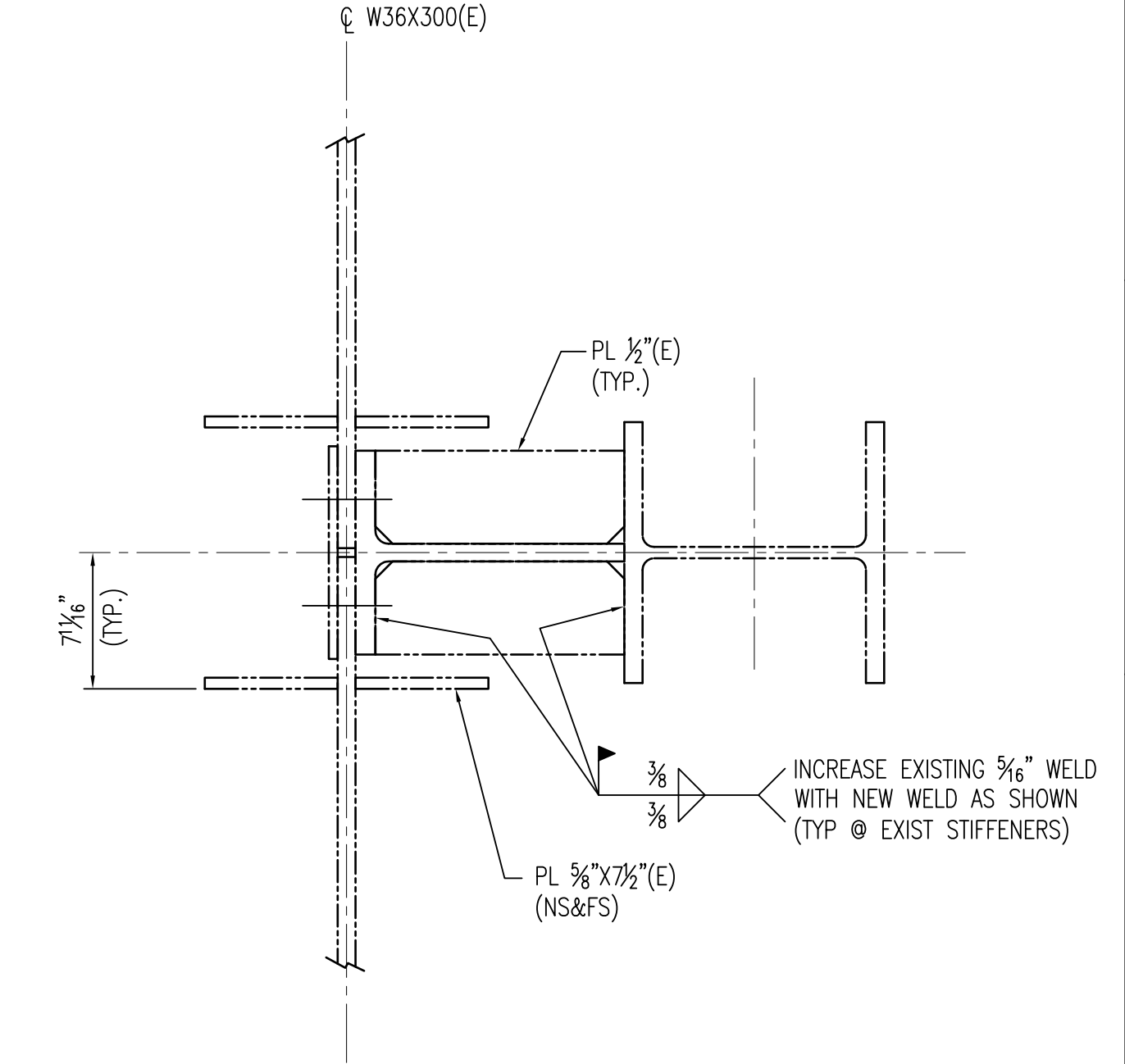
DETAIL A
SCALE: 1/2"=1'-0"
DWG. S-521-102



SECTION A-A
SCALE: 1/2"=1'-0"



SECTION B-B
SCALE: 1/2"=1'-0"

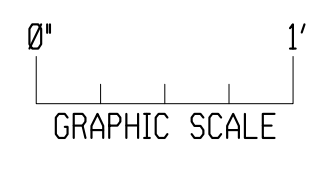


SECTION C-C
SCALE: 1/2"=1'-0"

NOTES:
1. FOR GENERAL NOTES SEE DWG. 522-041-001.

REFERENCES:
521-102

EC70139 REV. 0
ATTACHMENT Z105R0
DWG. NO. 521-142-002



NO.		DESCRIPTION		DRAWN
REVISIONS				
NUCLEAR ENGINEERING				
CRYSTAL RIVER UNIT 3				
AUXILIARY BUILDING - NORTH STEEL FRAMING MODIFICATIONS DETAILS				
EWN DRAWN	MPB CHKD.	X APRVD.	12/9/10 DATE	NONE SCALE
C DISCP.	002 SHEET	DWG.	521-142	Q REV.