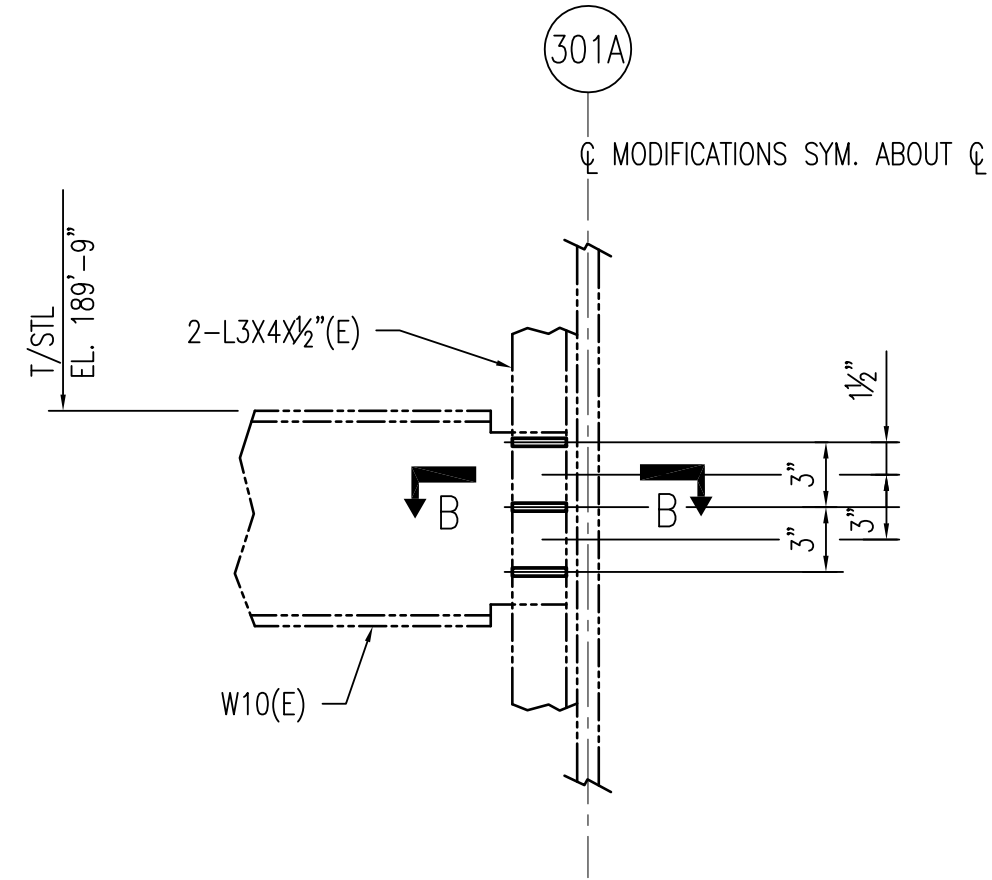
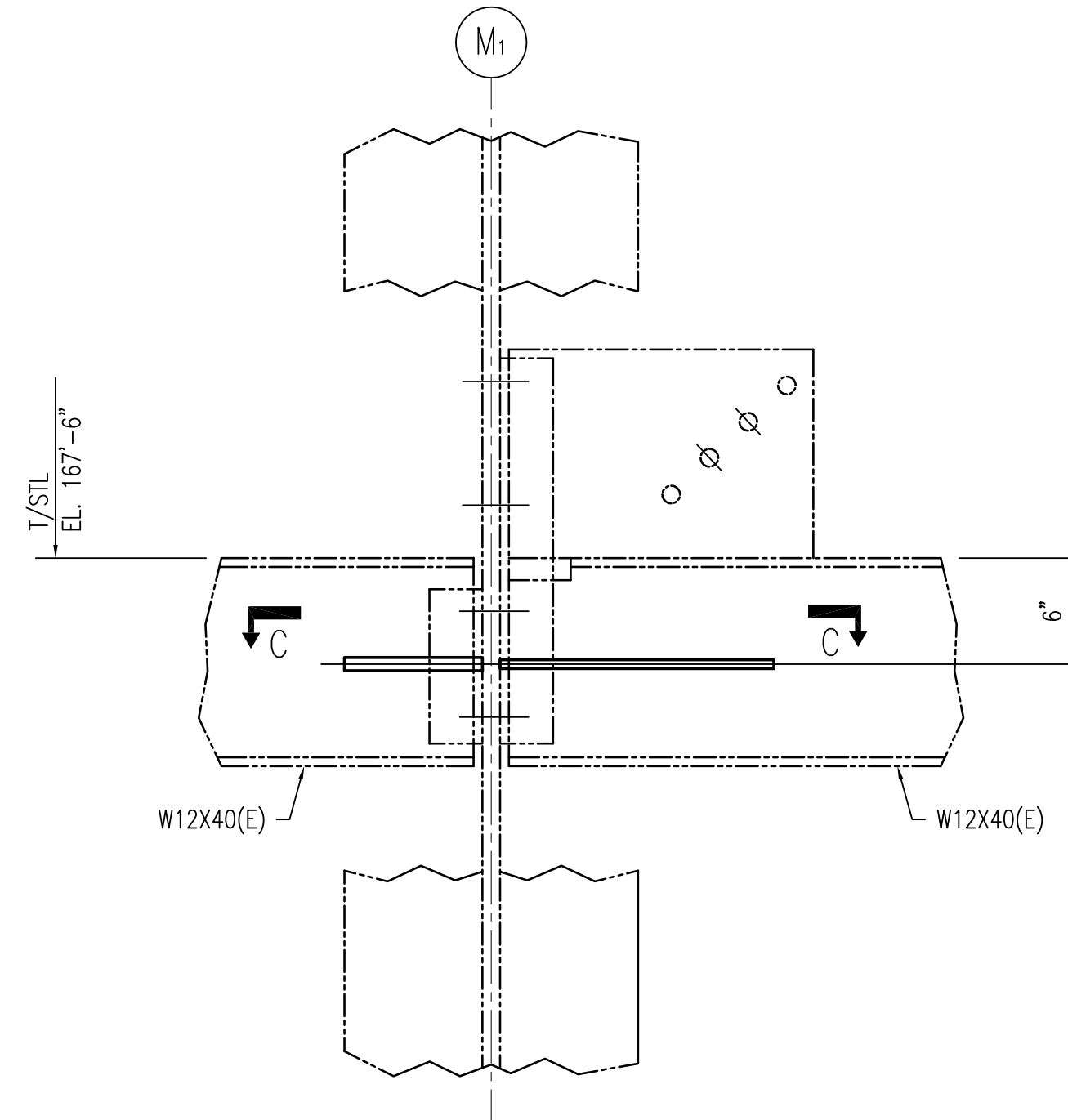


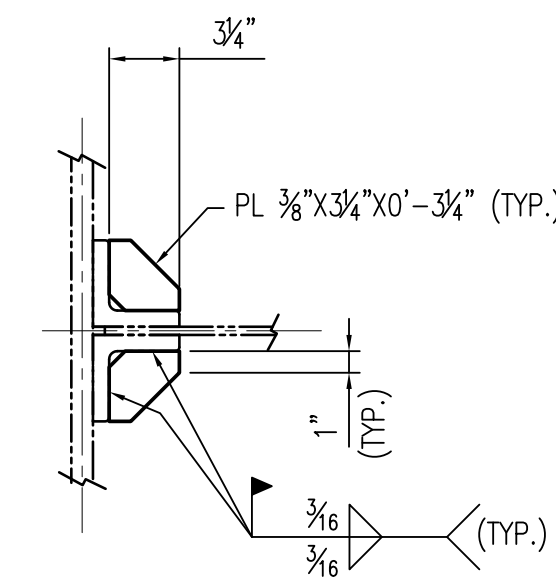
DETAIL 1  
SCALE: 1 1/2"=1'-0"  
DWG. S-522-004



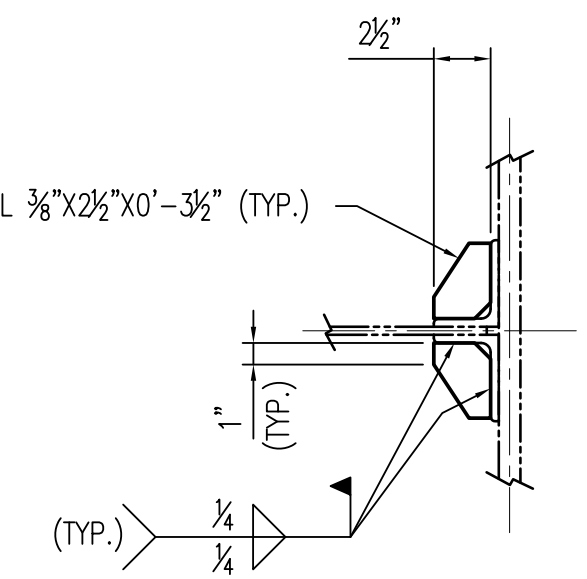
DETAIL 2  
SCALE: 1 1/2"=1'-0"  
DWG. 522-041-001



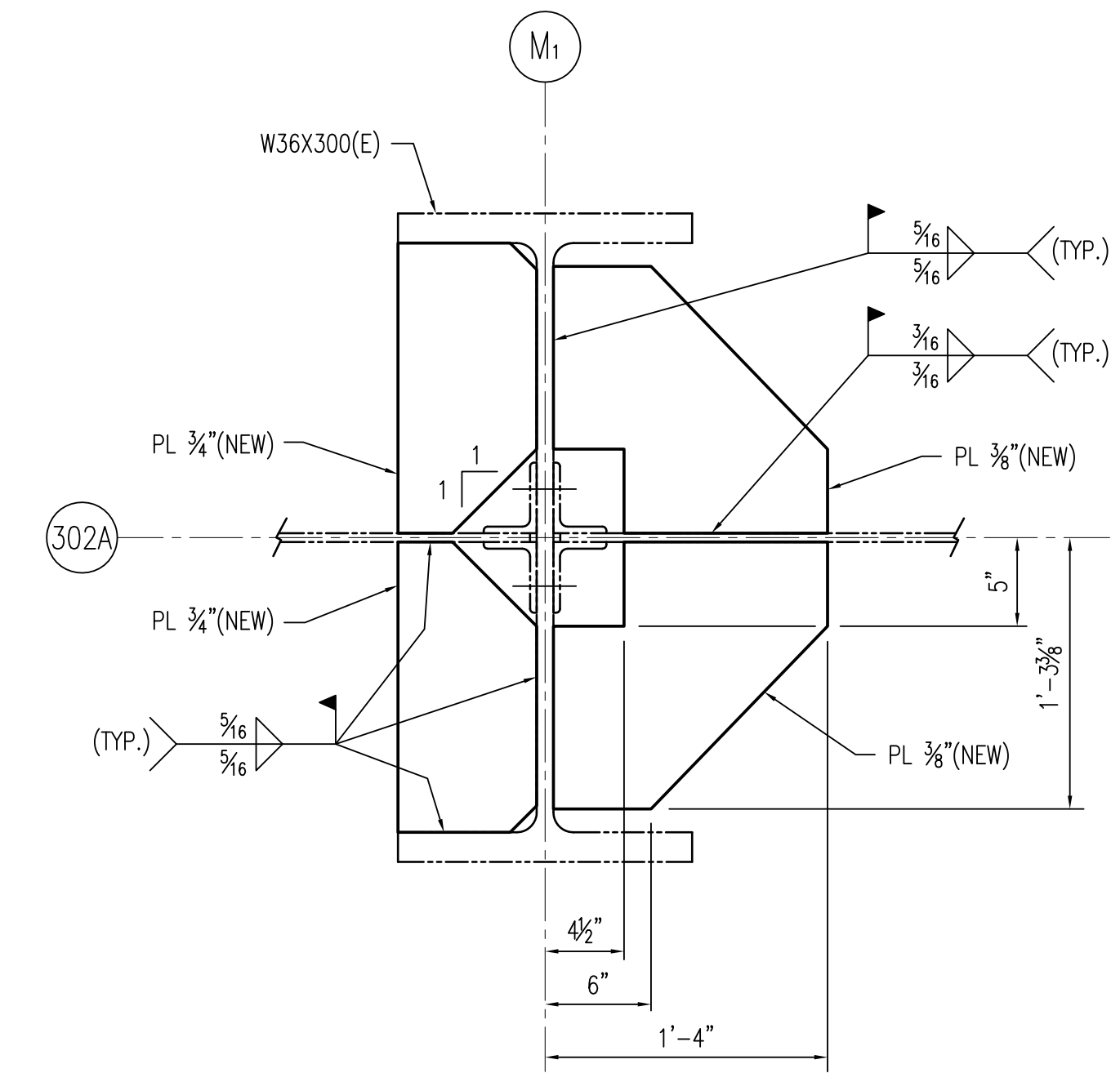
DETAIL 3  
SCALE: 1 1/2"=1'-0"  
DWG. 522-041-001



SECTION A-A  
SCALE: 1 1/2"=1'-0"



SECTION B-B  
SCALE: 1 1/2"=1'-0"

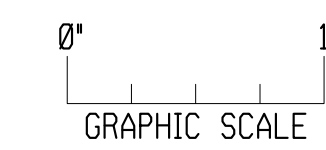


SECTION C-C  
SCALE: 1 1/2"=1'-0"

NOTES:  
1. FOR GENERAL NOTES SEE DWG. 522-041-001.

REFERENCES:  
522-004  
522-041-001

EC70139 REV. 0  
ATTACHMENT Z104R0  
DWG. NO. 522-041-017



| NO.  |              | DESCRIPTION |                 | DRAWN         |
|--|--------------|-------------|-----------------|---------------|
| REVISIONS  |              |             |                 |               |
| NUCLEAR ENGINEERING  |              |             |                 |               |
| CRYSTAL RIVER UNIT 3   |              |             |                 |               |
| AUXILIARY BUILDING - SOUTH STEEL FRAMING MODIFICATIONS DETAILS |              |             |                 |               |
| EWN<br>DRAWN   | MPB<br>CHKD. | X<br>APRVD. | 12/9/10<br>DATE | NONE<br>SCALE |
| C<br>DISCP.  | 017<br>SHEET | DWG.        | 522-041         | REV.          |