

Core Operating Limit Supervisory System (COLSS)

Chapter 12.3



Purpose of COLSS

- Monitor following LCOs
 - Azimuthal Tilt
 - LPD (Local Power Density)
 - DNBR
 - ASI
- and monitor compliance with Licensed Power Limit

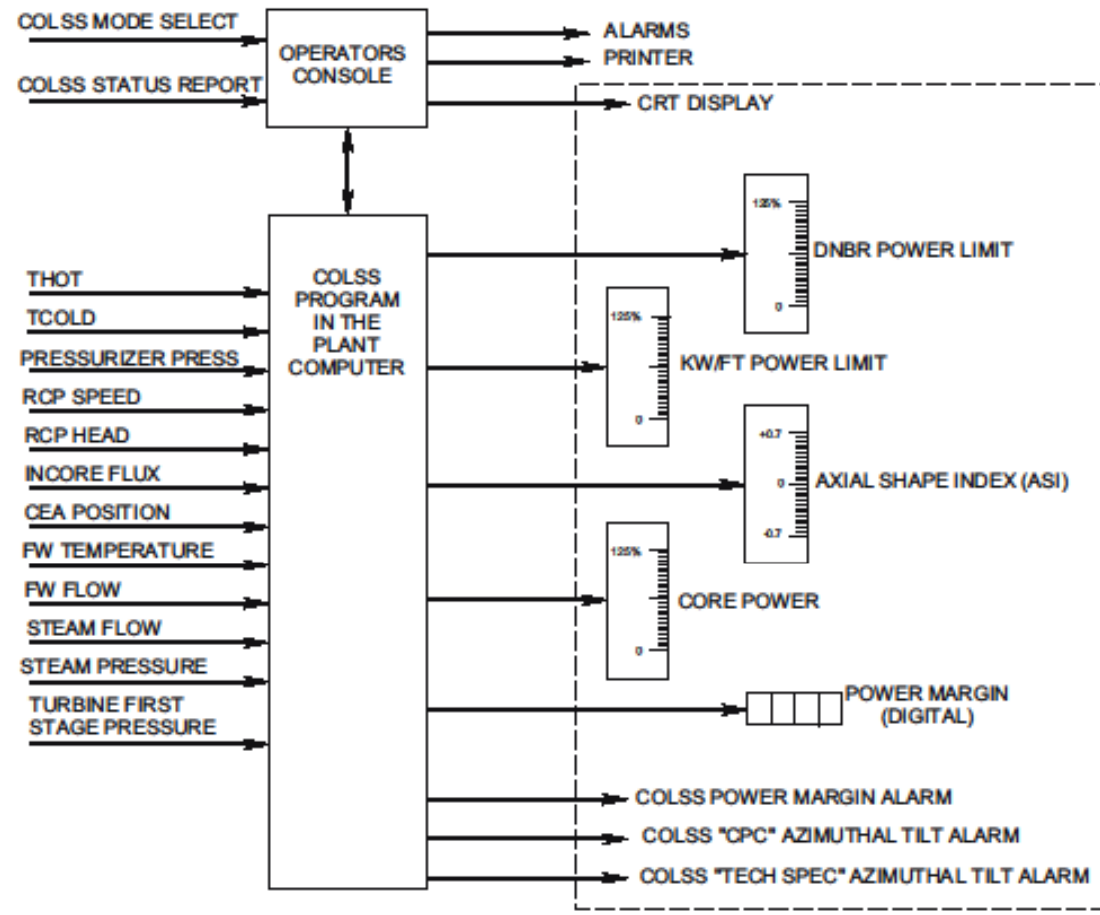


Figure 12.3-1 Core Operating Limit Supervisory Systems (COLSS)

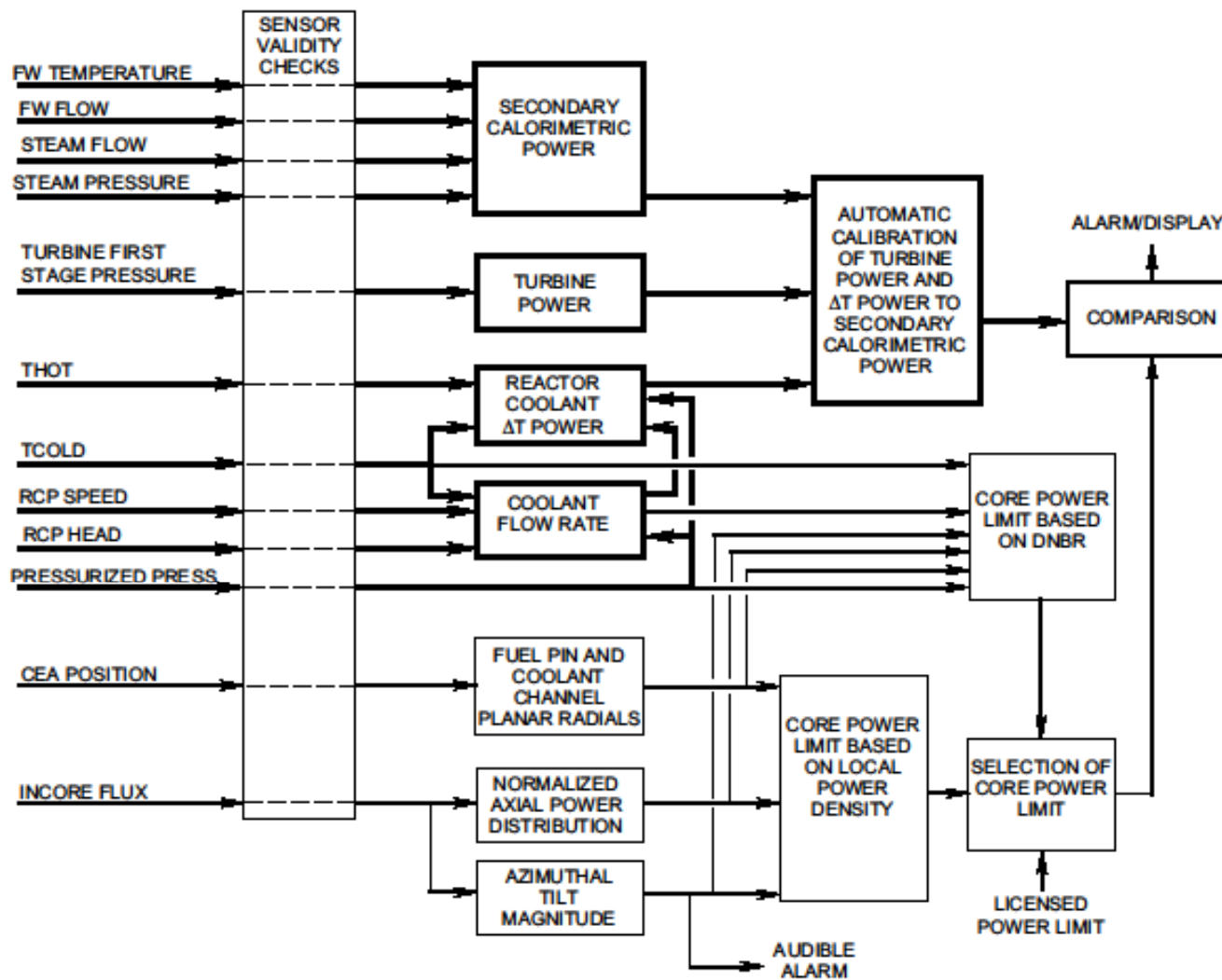


Figure 12.3-2 Functional Diagram of Core Operating Limit Supervisory Systems (COLSS)

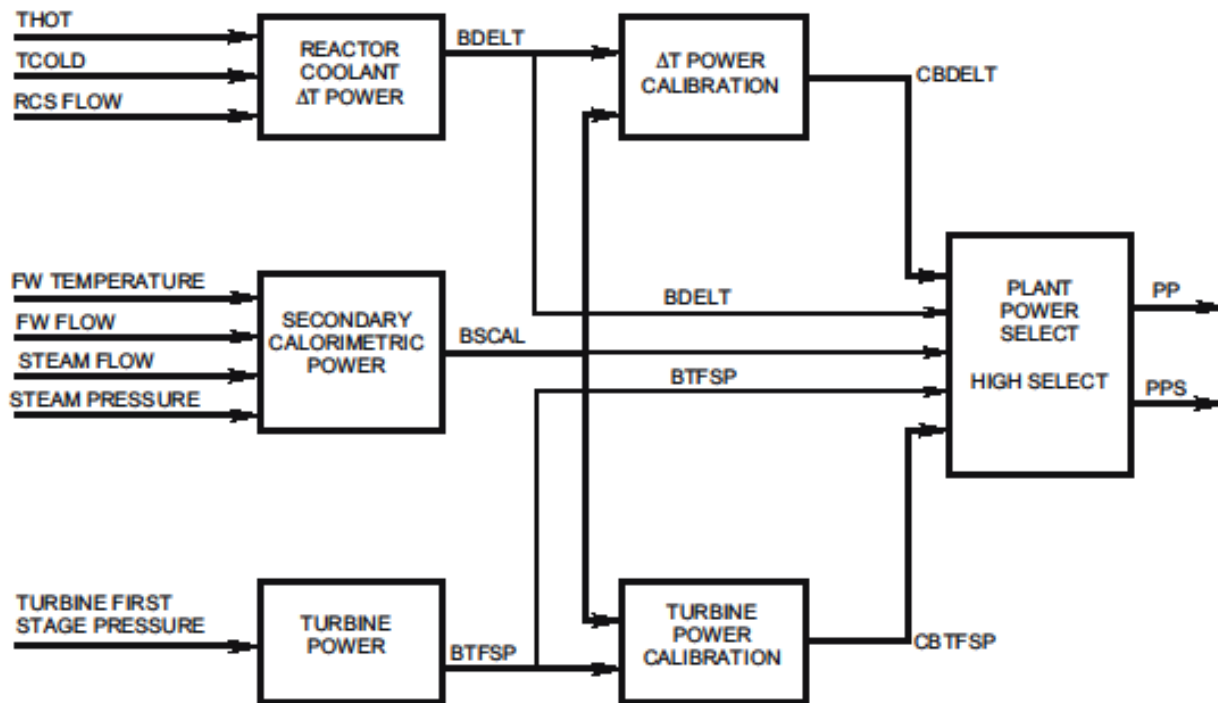


Figure 12.3-3 Power Calculations - Normal Power Operation Above 15%

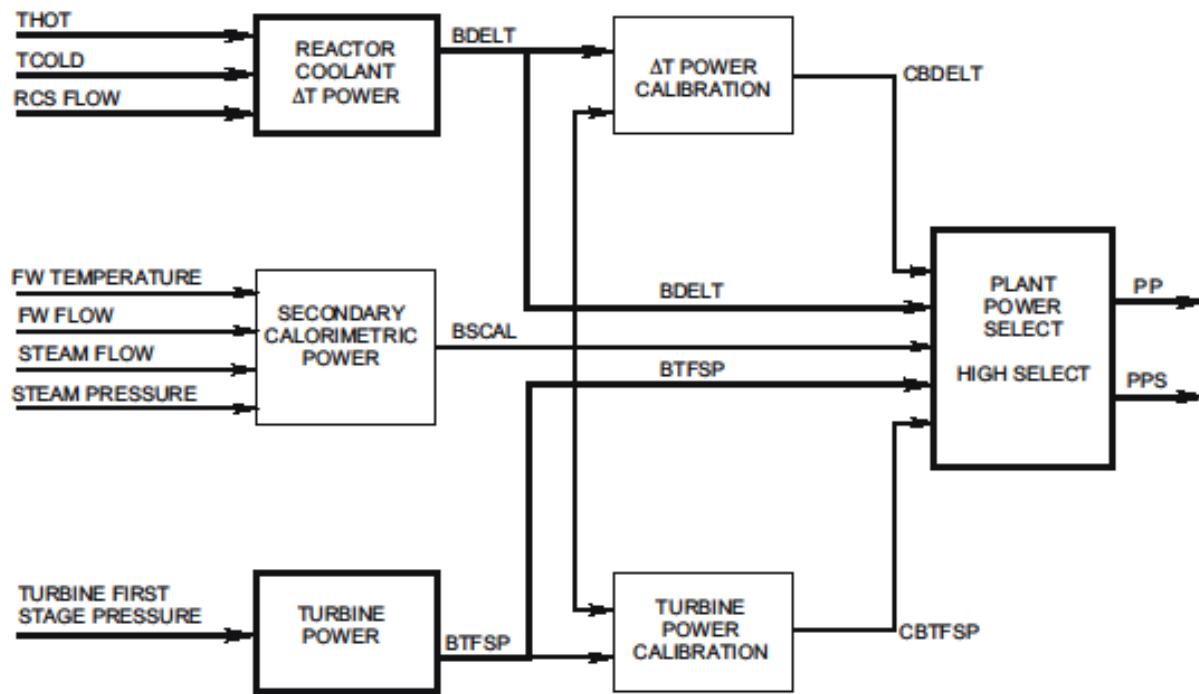


Figure 12.3-4 Power Calculations - Power Operation Below 15% or With BSCAL Bad

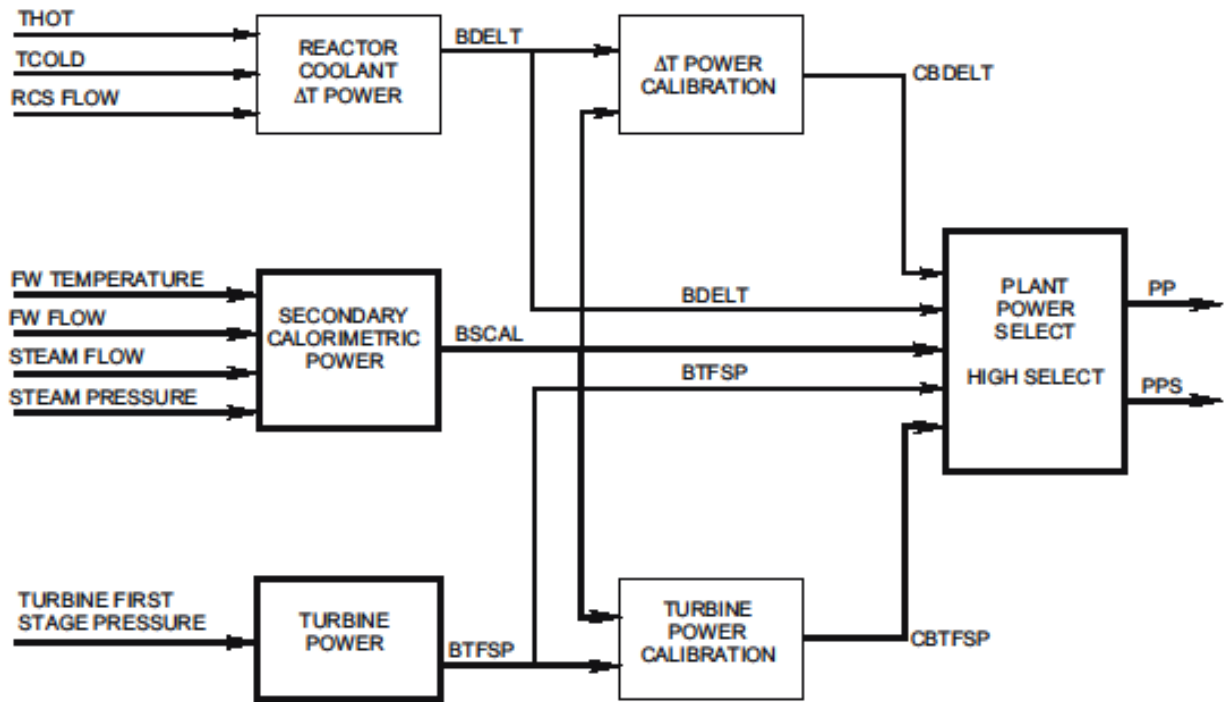


Figure 12.3-5 Power Calculations - Power Operation Above 15%, BDELTA Bad

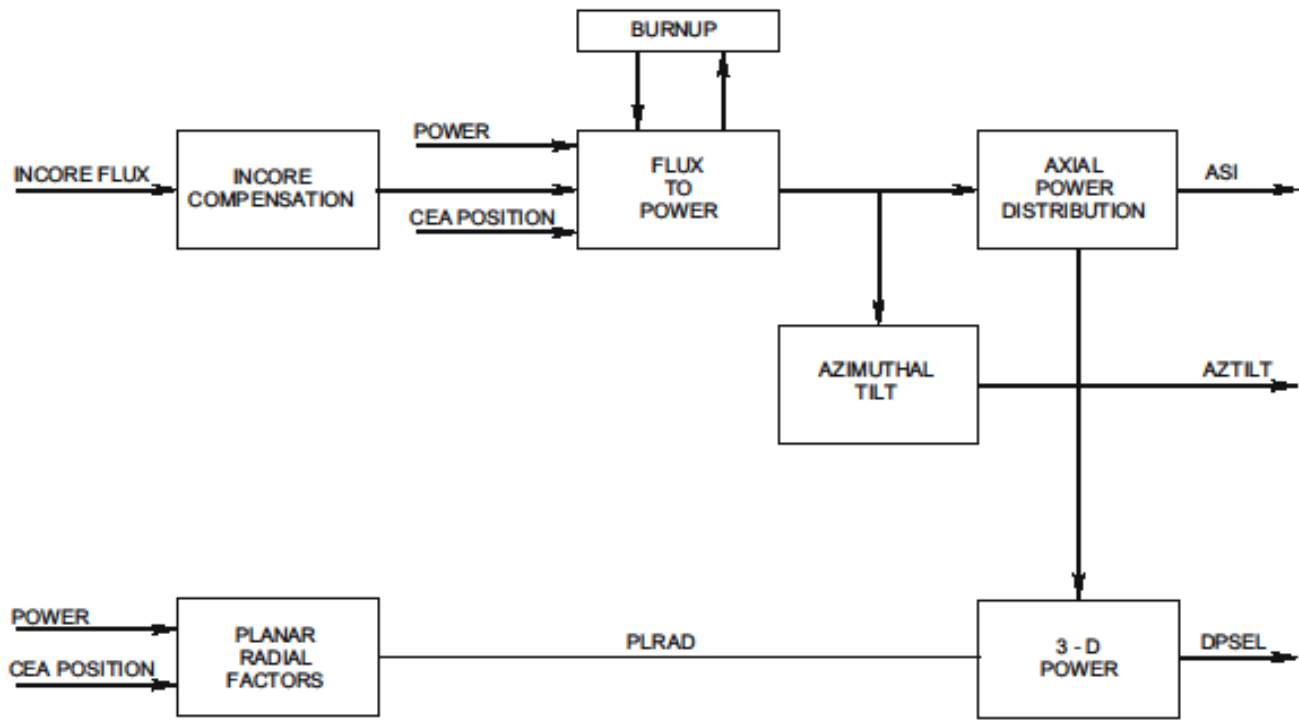


Figure 12.3-6 Power Distribution

The End