

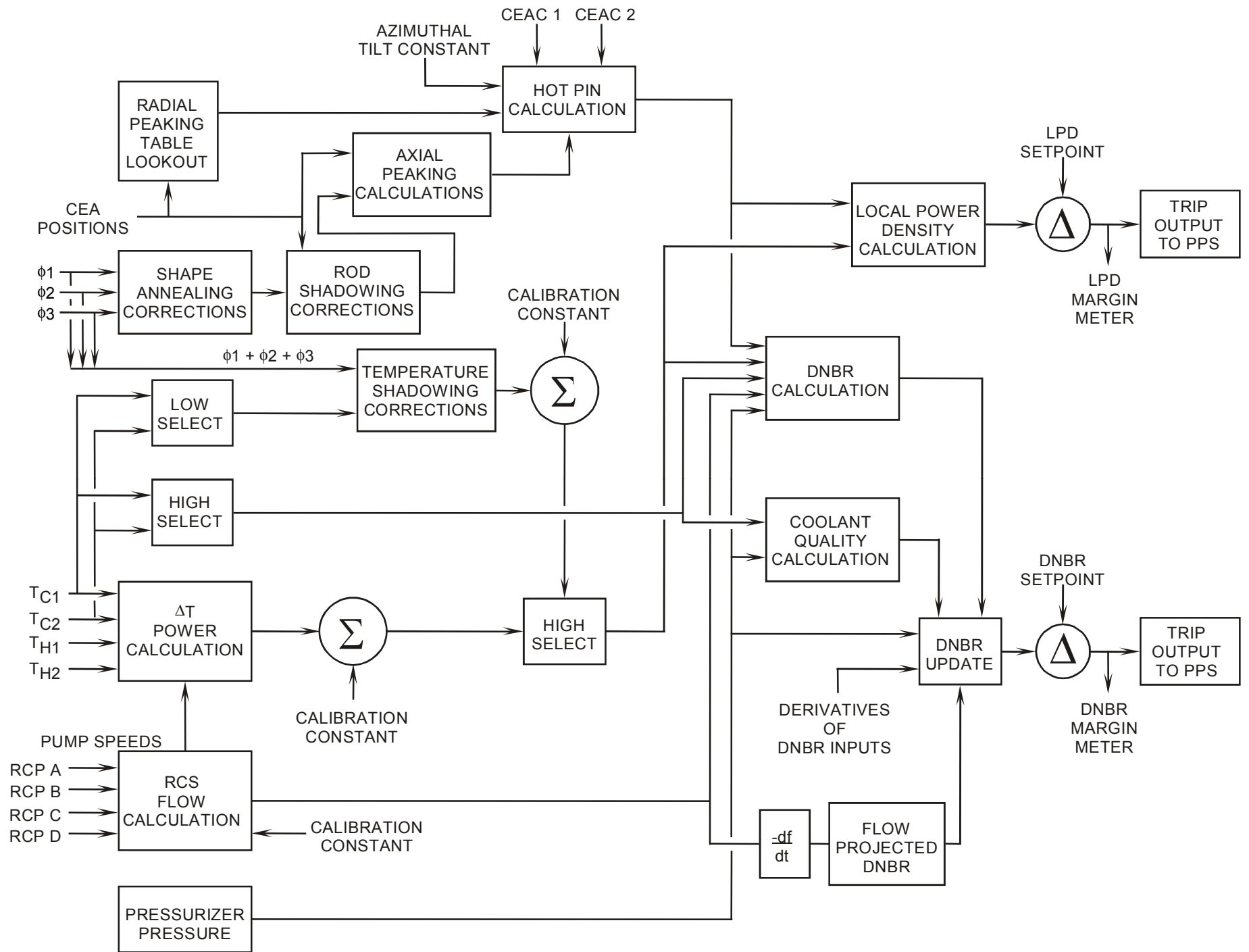
Core Protection Calculators

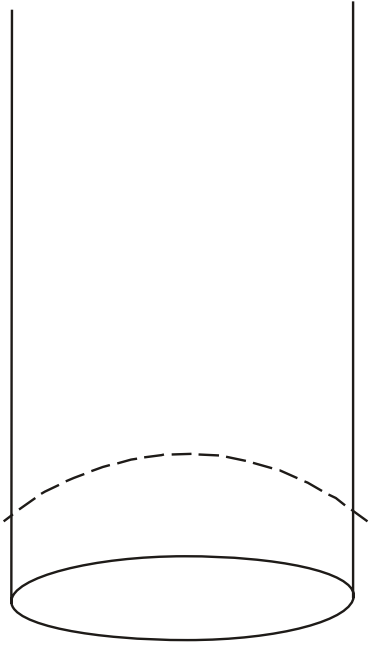
Chapter 12.1



Objectives

1. State the purpose of the core protection calculators (CPC).
2. Explain how the departure from nucleate boiling ratio (DNBR) and the local power density (LPD) limits are calculated by the CPCs.

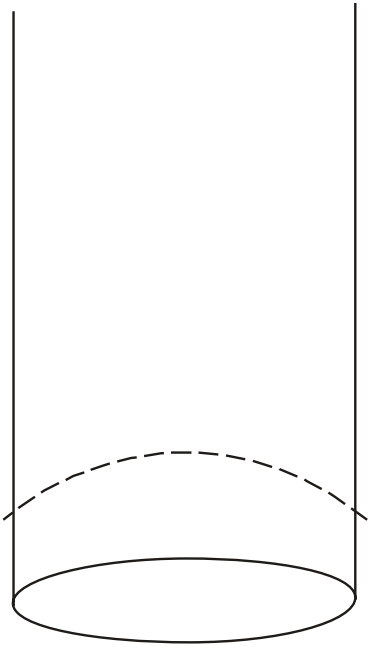




UNRODDED



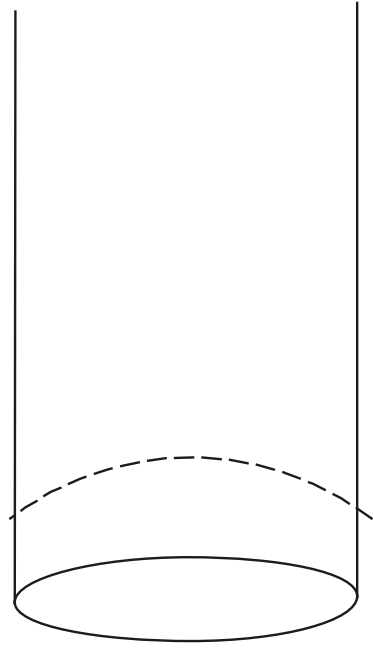
DETECTOR



ROD CONFIGURATION
A



DETECTOR



ROD CONFIGURATION
B

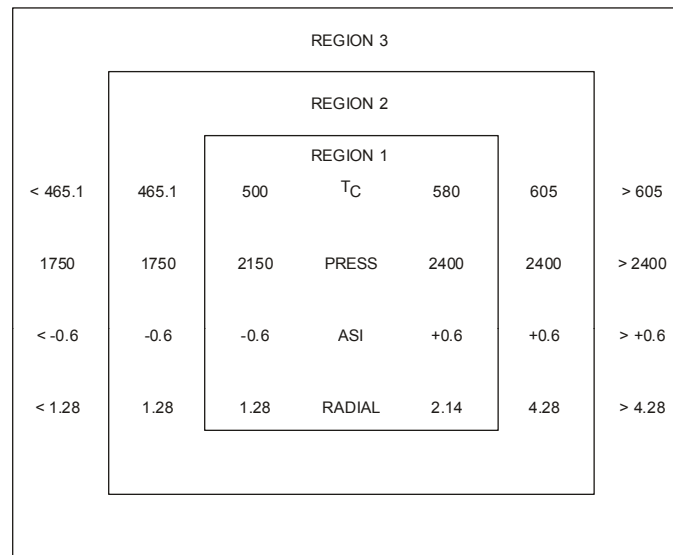


Figure 12.1-3 DNBR Update Program

The End