

AUXILIARY FEEDWATER SYSTEM

Chapter 11.5



Objectives

1. State the purposes of the auxiliary feedwater system (AFW) System.
2. List all suction sources for the AFW pumps and under what conditions each is used.
3. List the steam supplies to the AFW turbines.
4. State the purpose of the auxiliary feedwater actuation system (AFAS) block signal.

Objectives (Cont)

5. List the automatic start signal(s) for the AFW system.
6. Explain how decay heat is removed following a plant trip and loss of off-site power.
7. Explain the bases for a minimum volume of water in the condensate storage tank (CST).

Purpose Obj 1

- Ensure a heat sink for removal of reactor decay heat by maintaining an inventory in the secondary side of the steam generators
- Does this during startups, cooldowns, and emergency conditions

Figure 11.5-1 Auxiliary Feedwater System

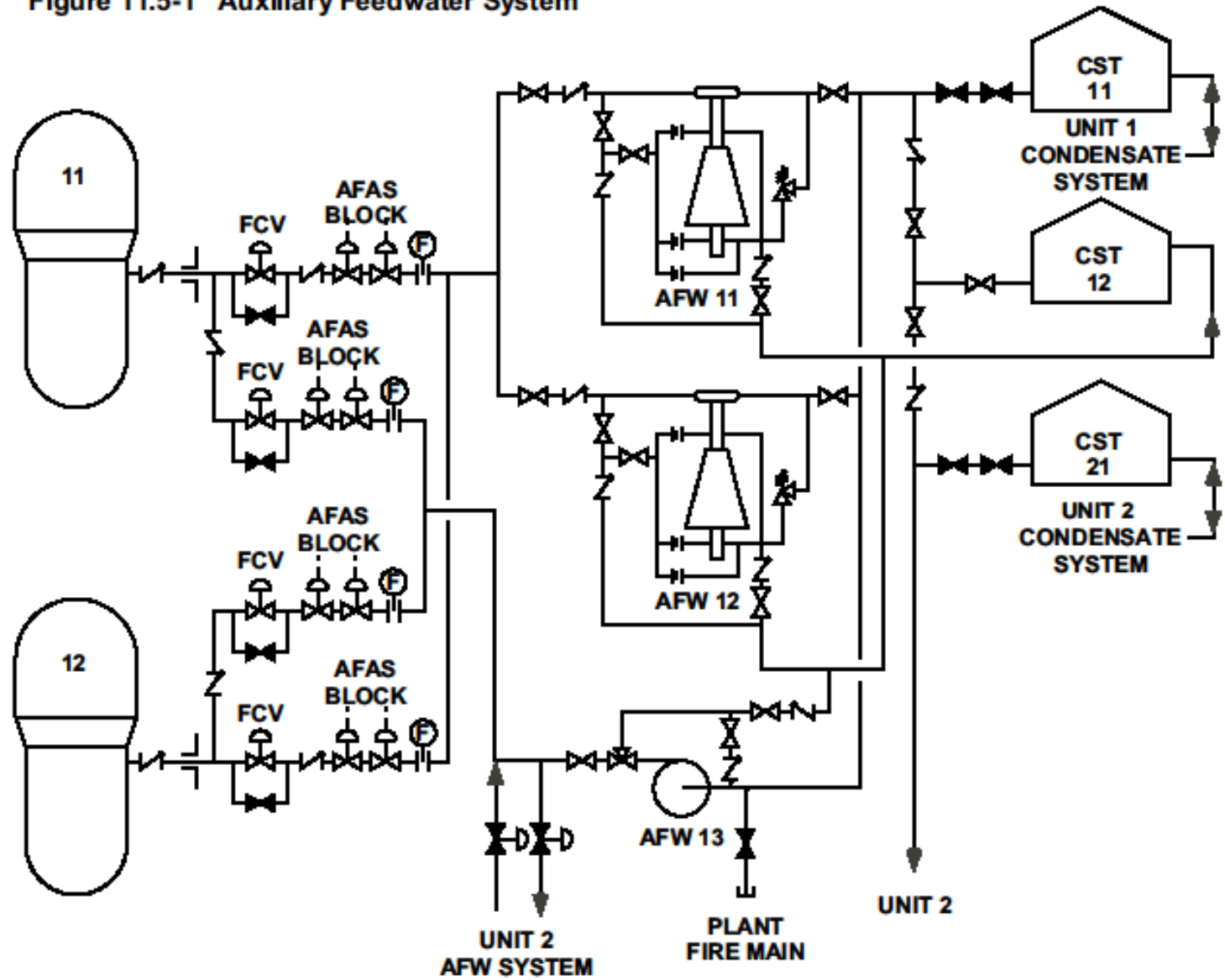
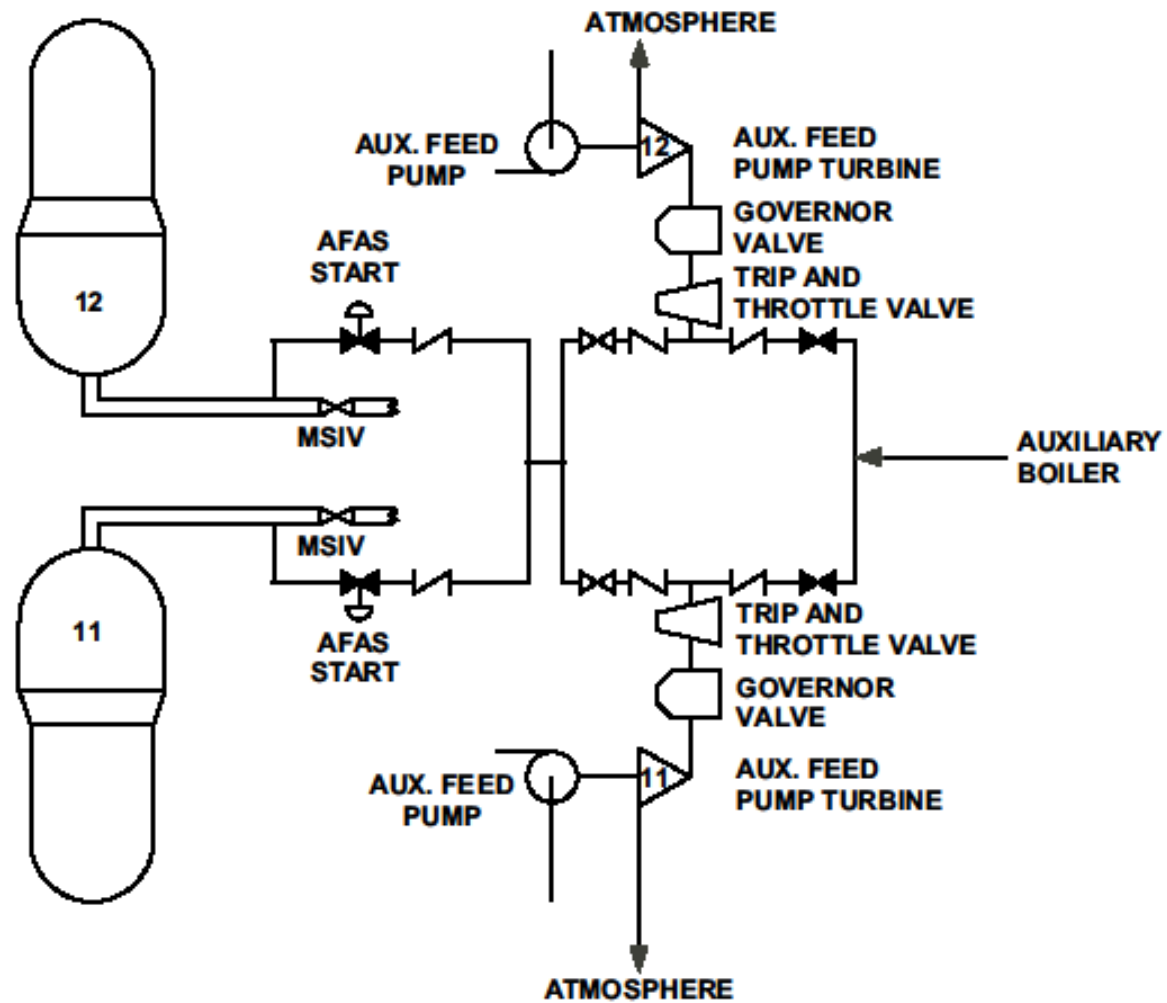


Figure 11.5-2 Auxiliary Feedwater Steam Supply



The End