



Containment Spray System

Chapter 11.4

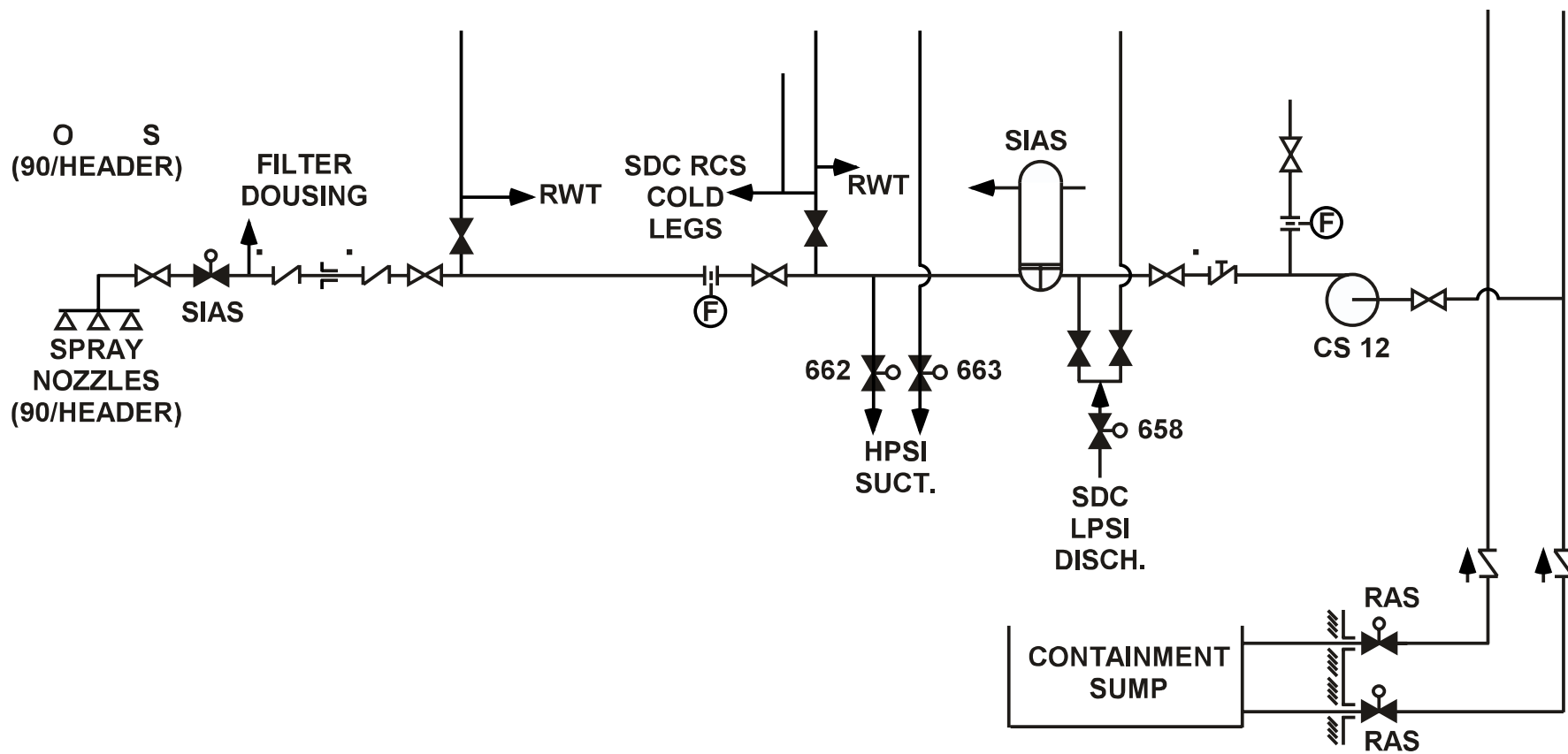


Objectives

1. State the purpose of the containment spray (CS) system.
2. List the sources of suction to the CS pumps.
3. Explain why tri-sodium phosphate (TSP) is added to the containment sump during a loss of coolant accident (LOCA).

Purpose

- Maintain containment integrity by reducing pressure following an accident
- Maintain containment sump pH neutral by addition of TSP to prevent stress corrosion cracking and maintain iodine in solution.
- Cool containment building recirculation sump water



The End