

Integrated Operation of the ECCS Systems

Chapter 11.3



Objectives

1. Describe the operation of the emergency core cooling systems (ECCS) during the following operations:
 - a. Injection phase
 - b. Recirculation phase
2. State the purpose of the safety injection tanks (SIT).
3. List the order of ECCS injection during the following abnormal conditions:
 - a. Inadvertent actuation at power
 - b. Small break loss of coolant accident (slow depressurization)
 - c. Large loss of coolant accident (LOCA)

Figure 11.3-2 Emergency Core Cooling System

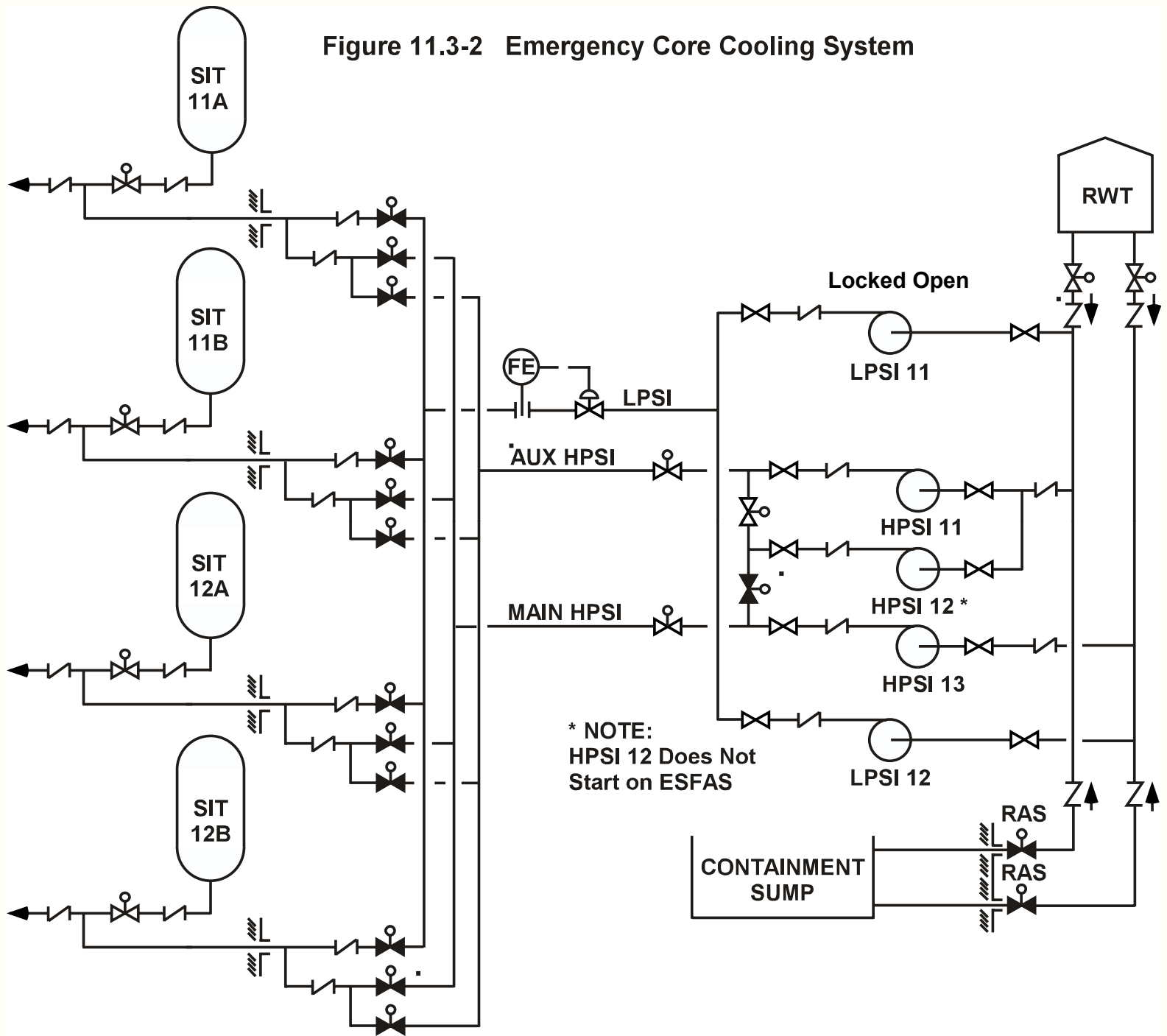
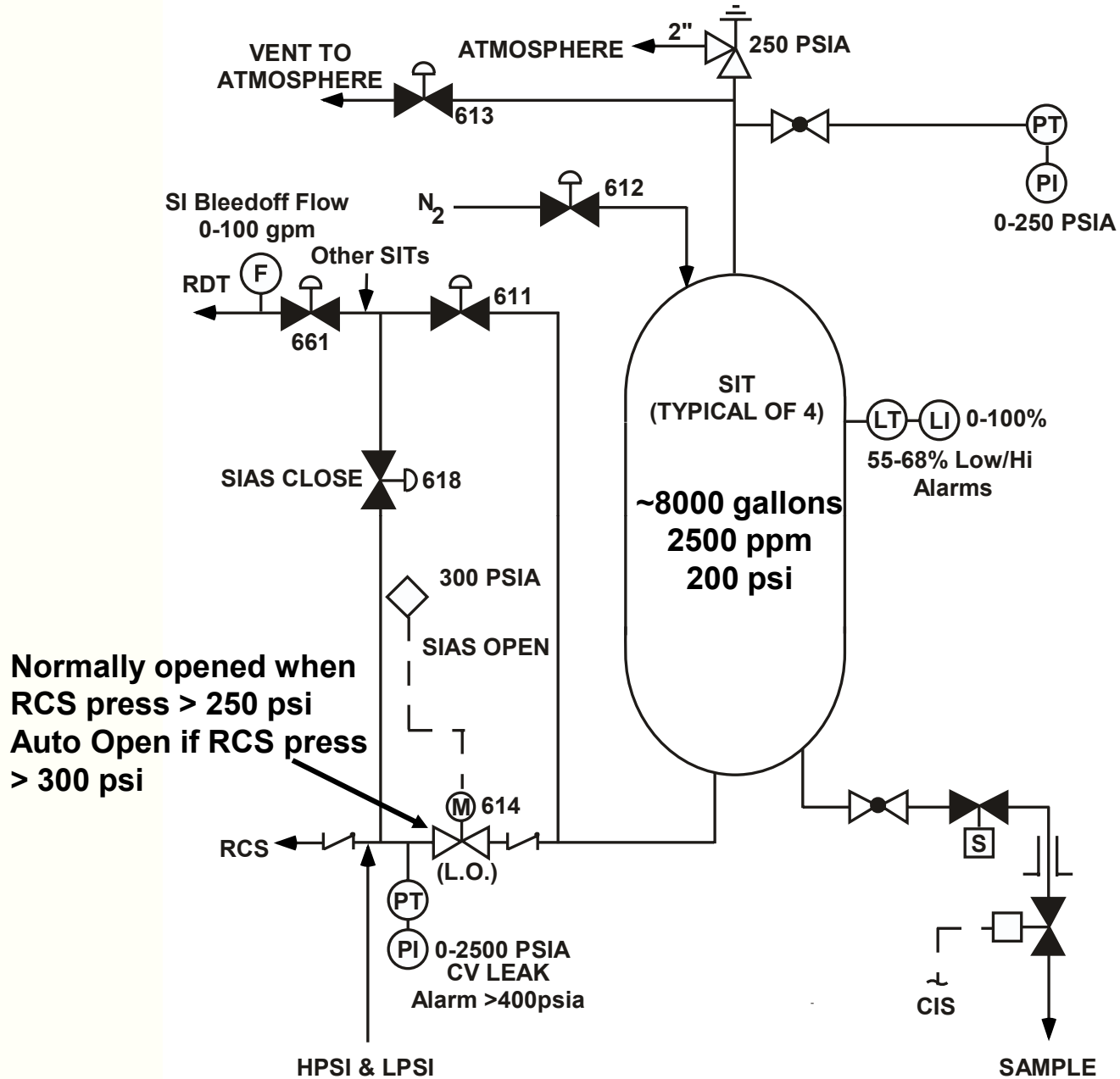


Figure 11.3-1 Safety Injection Tanks



The End