

# TMLP and Local Pwr Density Trips

Chapter 10.2



# Objectives

1. State the purposes of the thermal margin low pressure (TMLP) and local power density (LPD) trips.
2. List the inputs to the TMLP and LPD trips.
3. State the plant conditions used to determine when these trips are in effect.

Figure 10.2-1  $\Delta T$ /TMLP Calculation Block Diagram

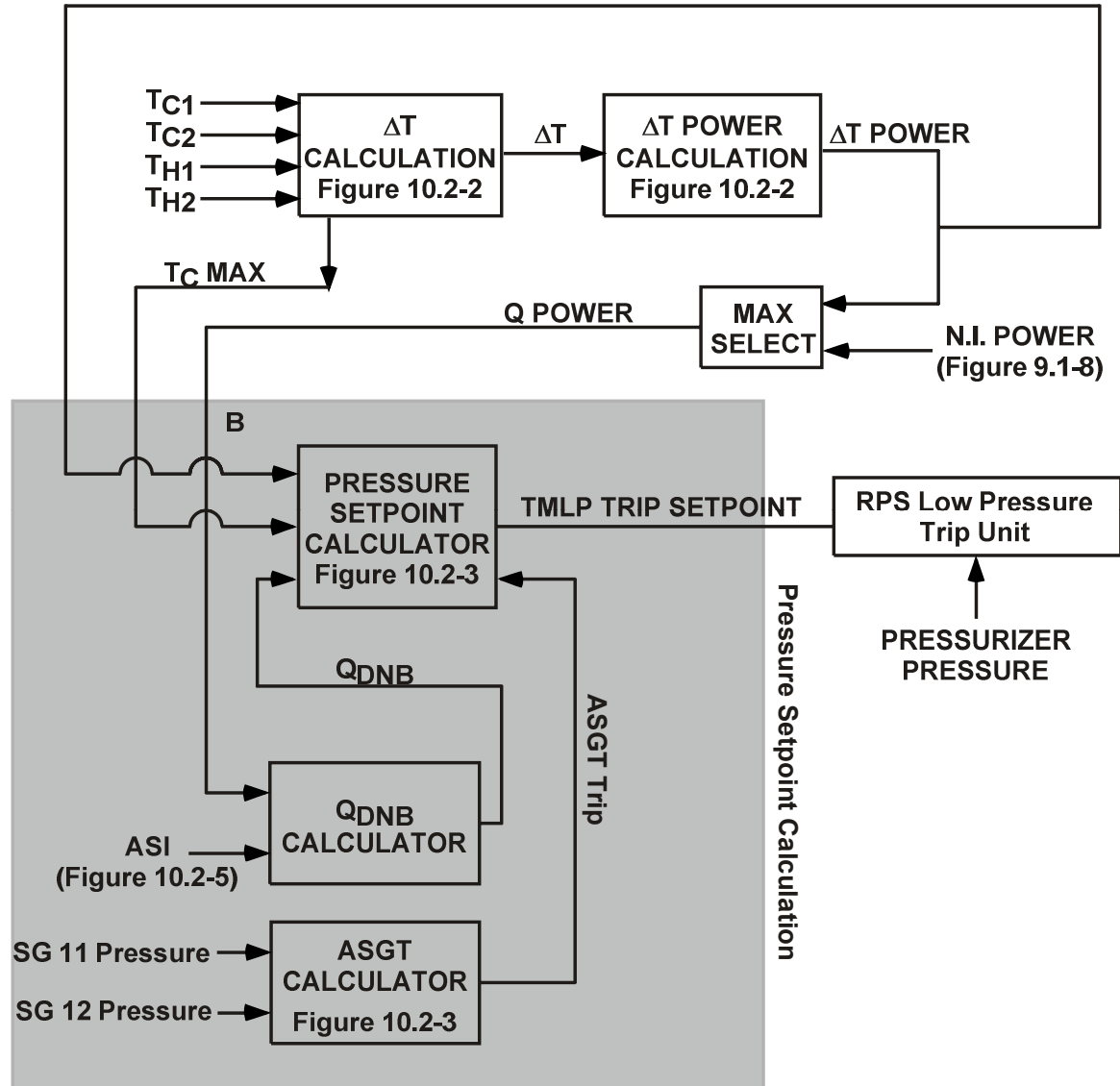


Figure 10.2-2 TMLP  $\Delta T$  Power Calculation

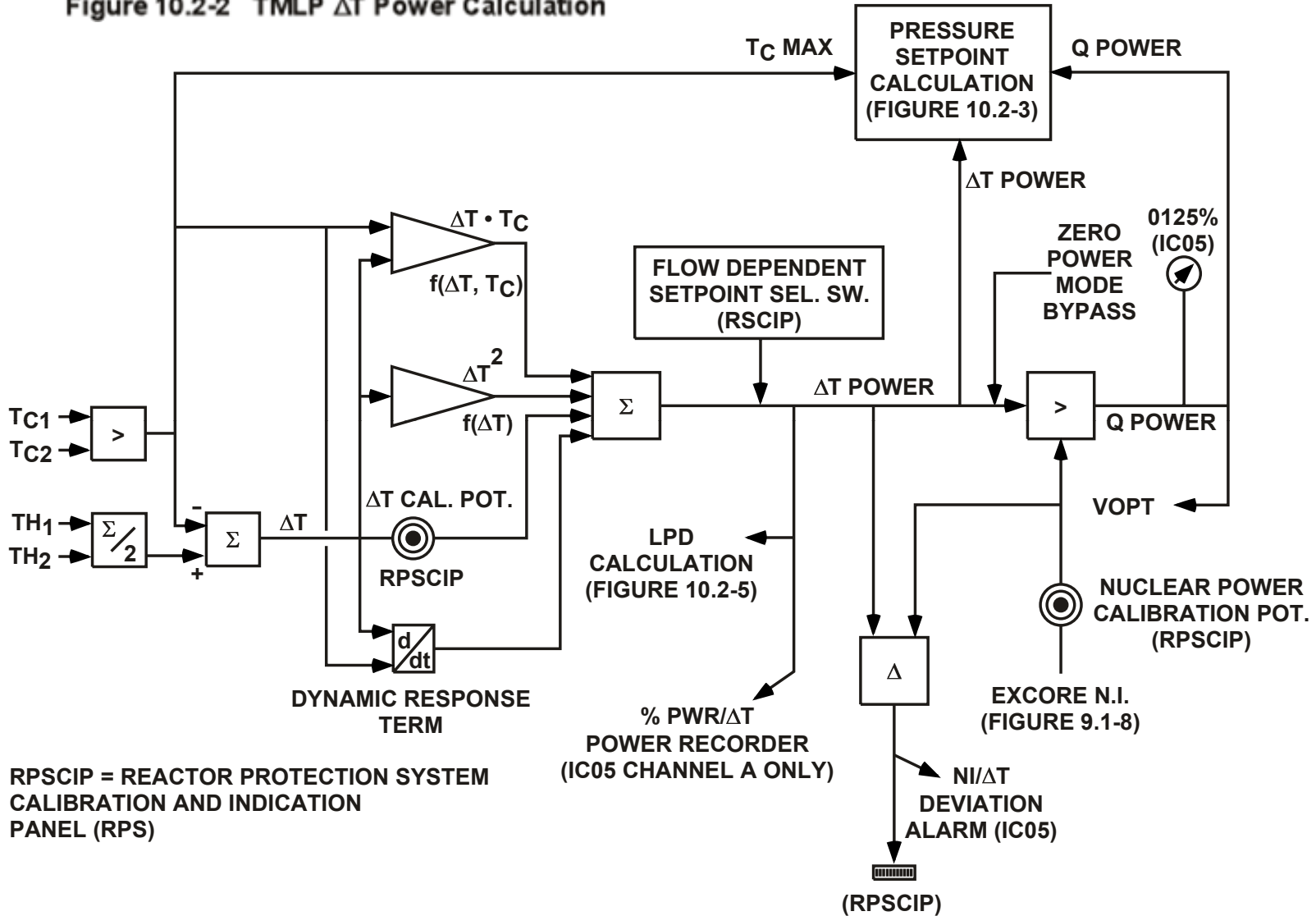


Figure 10.2-3 TMLP Pressure Setpoint Calculation

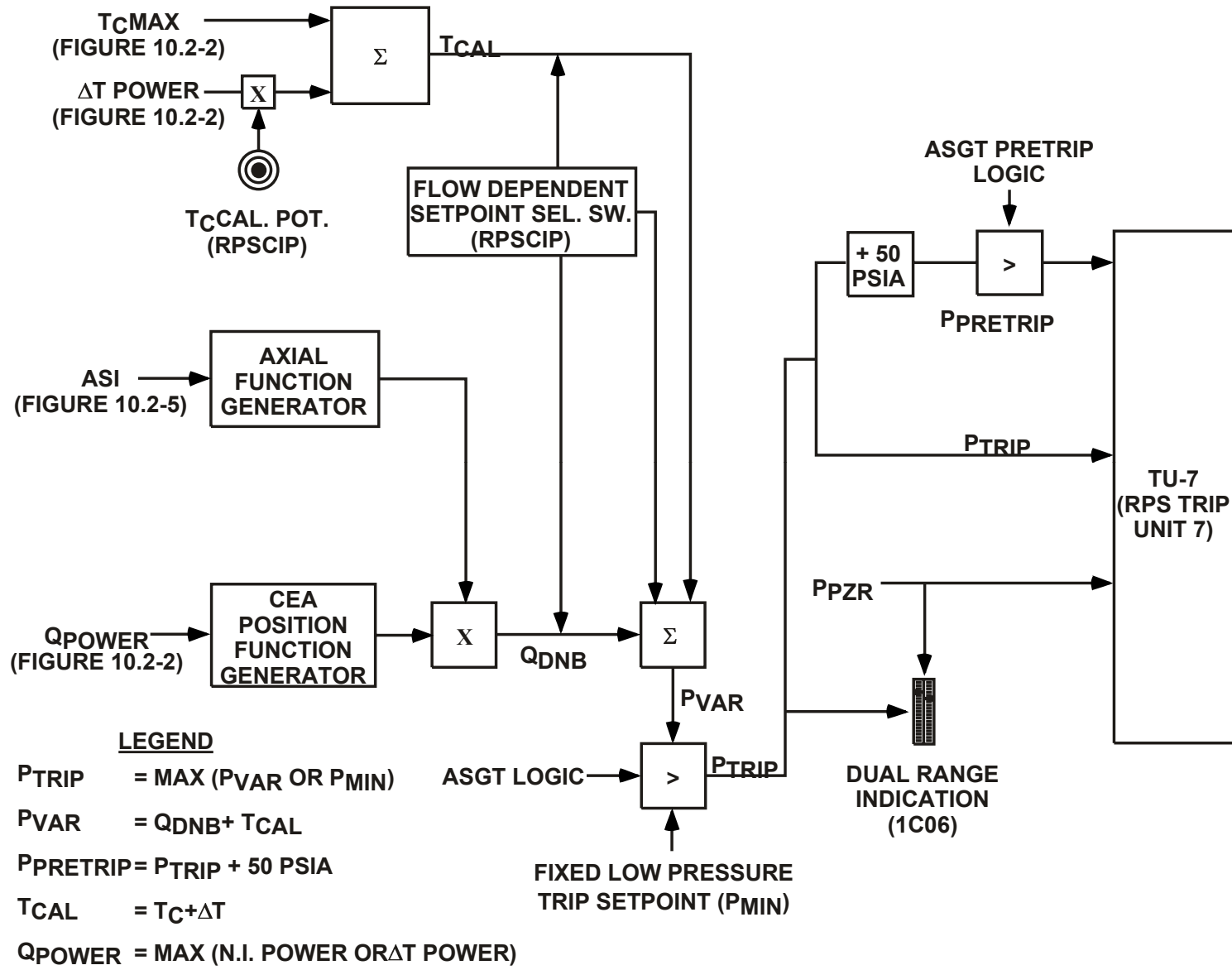


Figure 10.2-4 Pressure Setpoint Versus Temperature

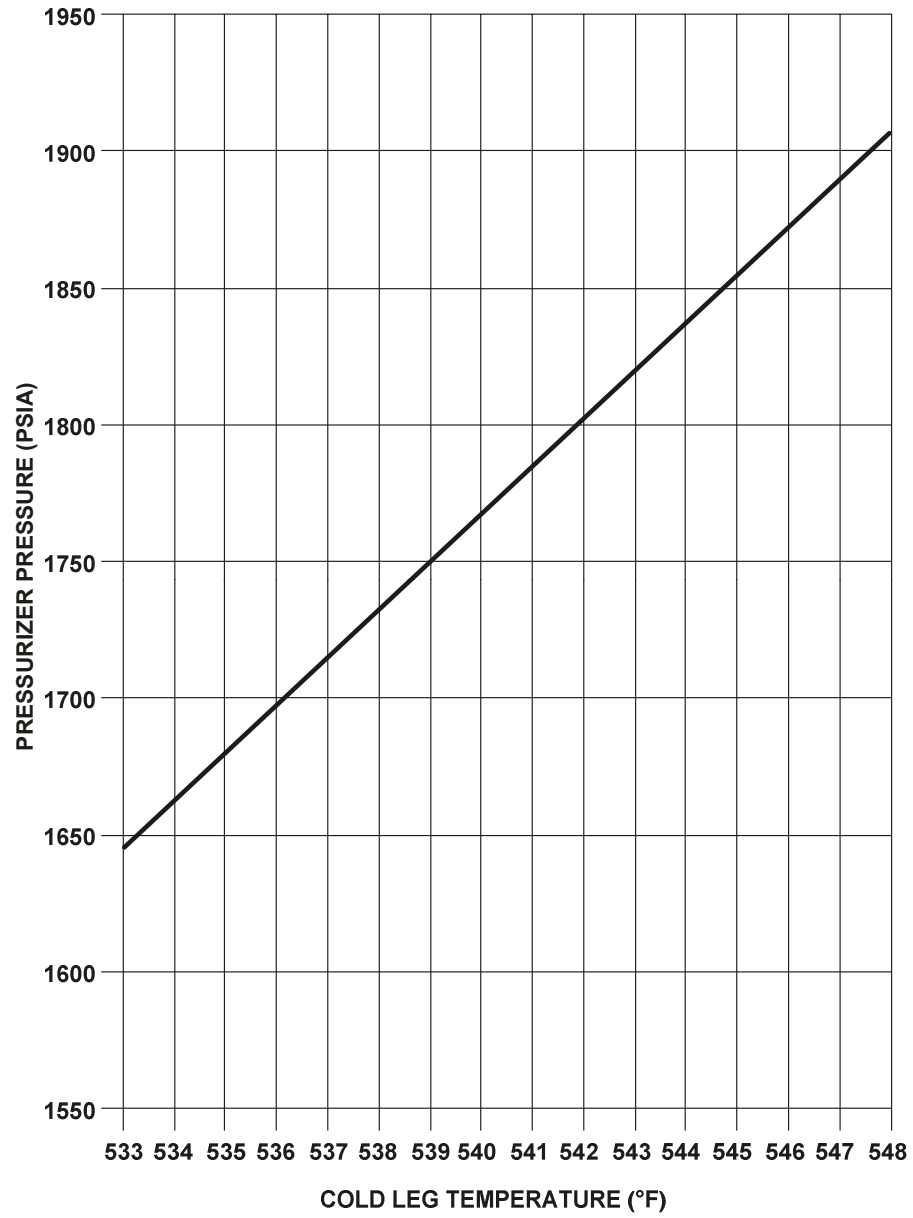


Figure 10.2-5 Local Power Density Trip Block Diagram

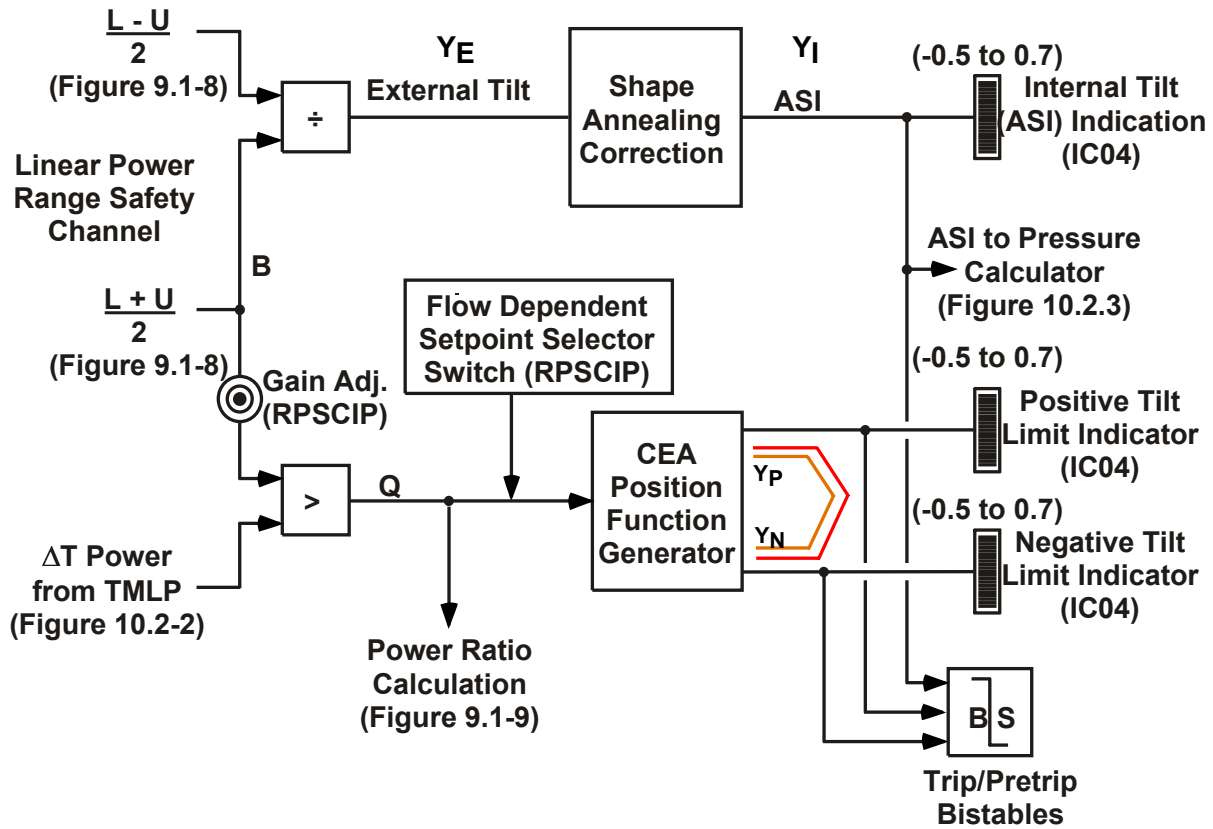
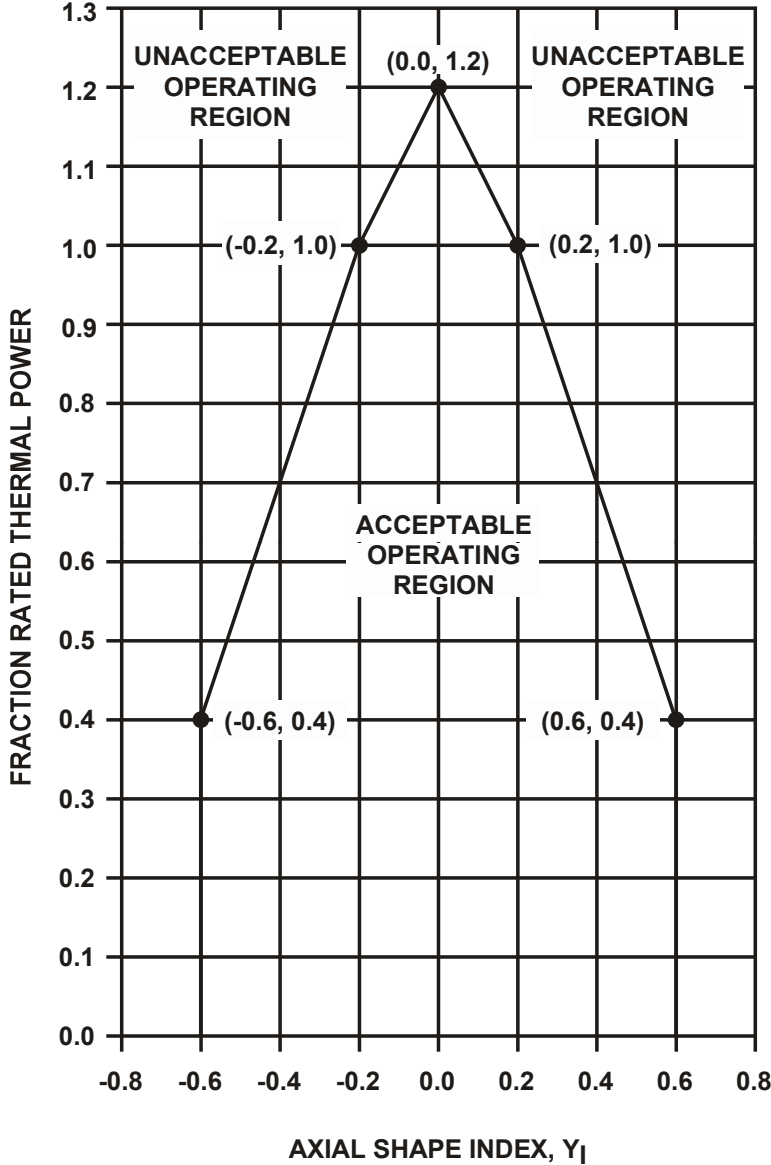


Figure 10.2-6 Axial Shape Index Boundary





**The End**