

Steam Bypass and Bypass Control System

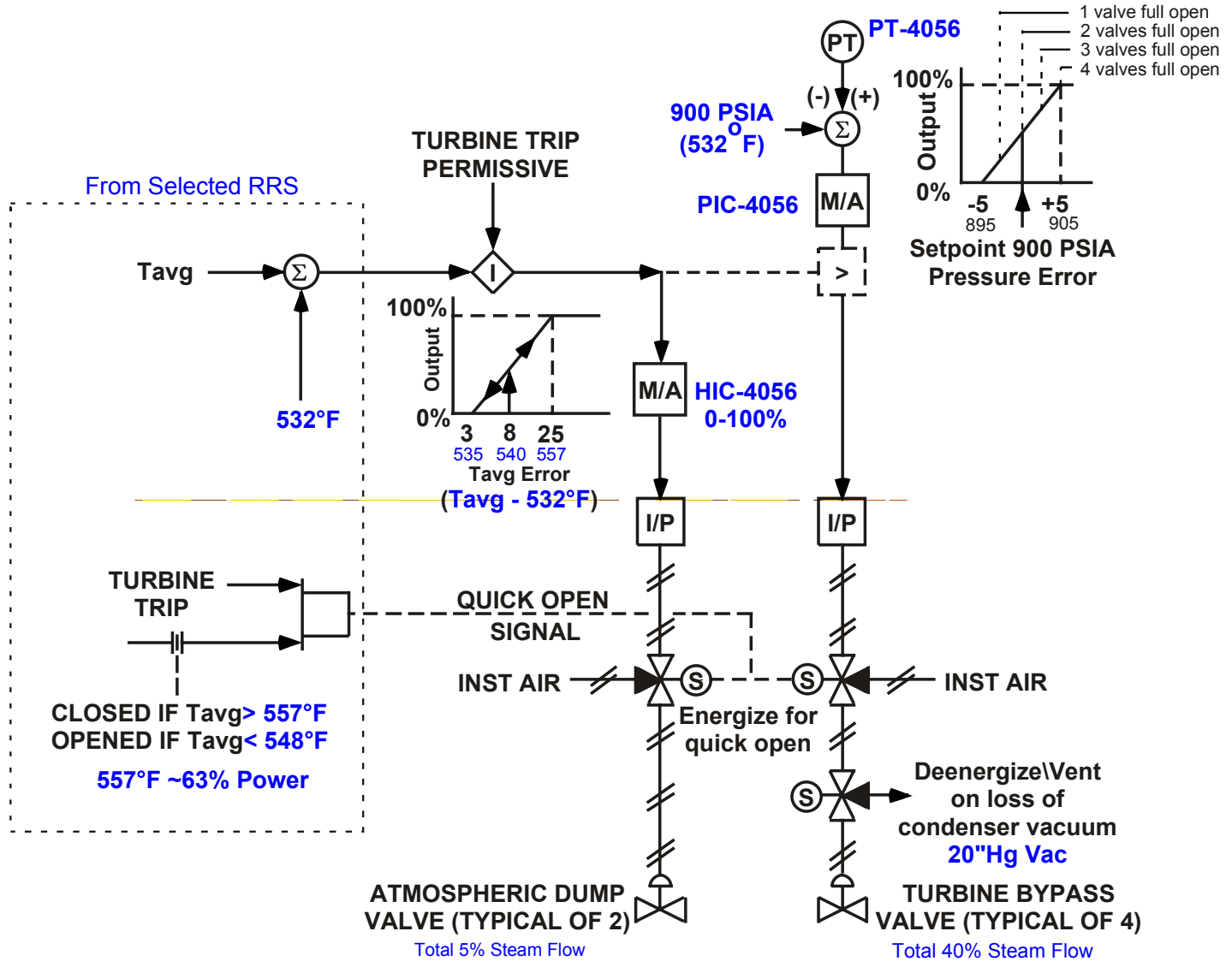
Chapter 8



Objectives

1. List the purposes of the steam dump and bypass control system (SDBCS).
2. Briefly describe how each purpose is accomplished.
3. List the input signals to the SDBCS.
4. Describe how over-pressurization of the condenser is prevented.

Figure 8-1 Steam Dump and Bypass Control System



The End