

# Feedwater Control System

## Chapter 7



# Objectives

- State the function of the FWCS
- List the inputs used to control SG water level and describe how each input is used.
- List the override signal associated with the FWCS.
- Explain the two modes of automatic control for the FWCS.
- Explain the difference between actual and indicated SG level following a plant cooldown.

## BYPASS FEEDWATER REGULATING VALVE CONTROL

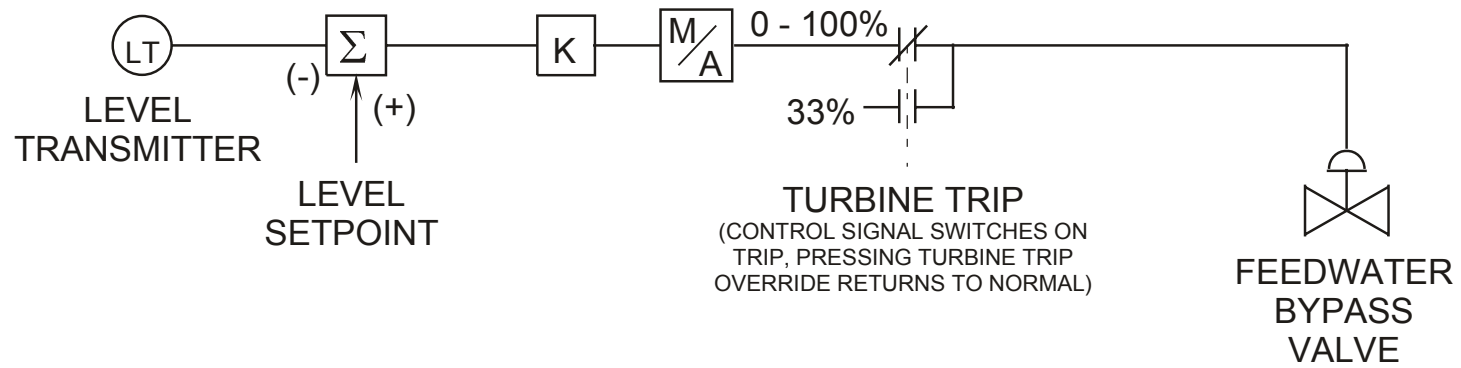


Figure 7-1a Feedwater Control System

### FEEDWATER REGULATING VALVE CONTROL

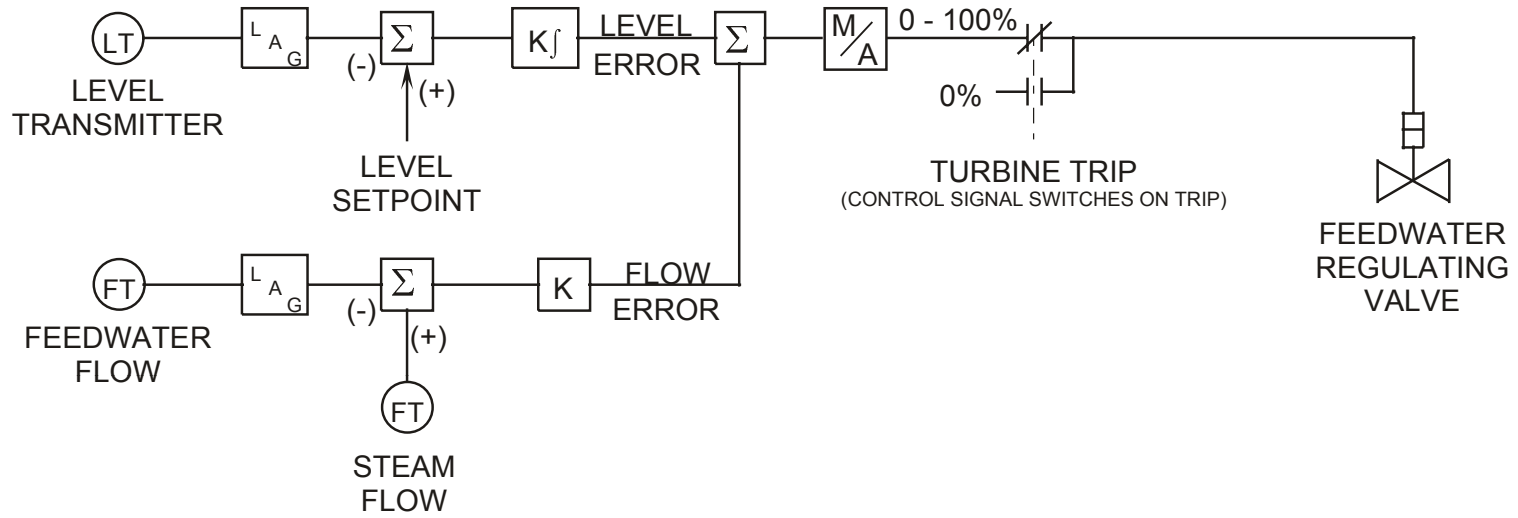


Figure 7-1b Feedwater Control System

## FEEDWATER PUMP SPEED

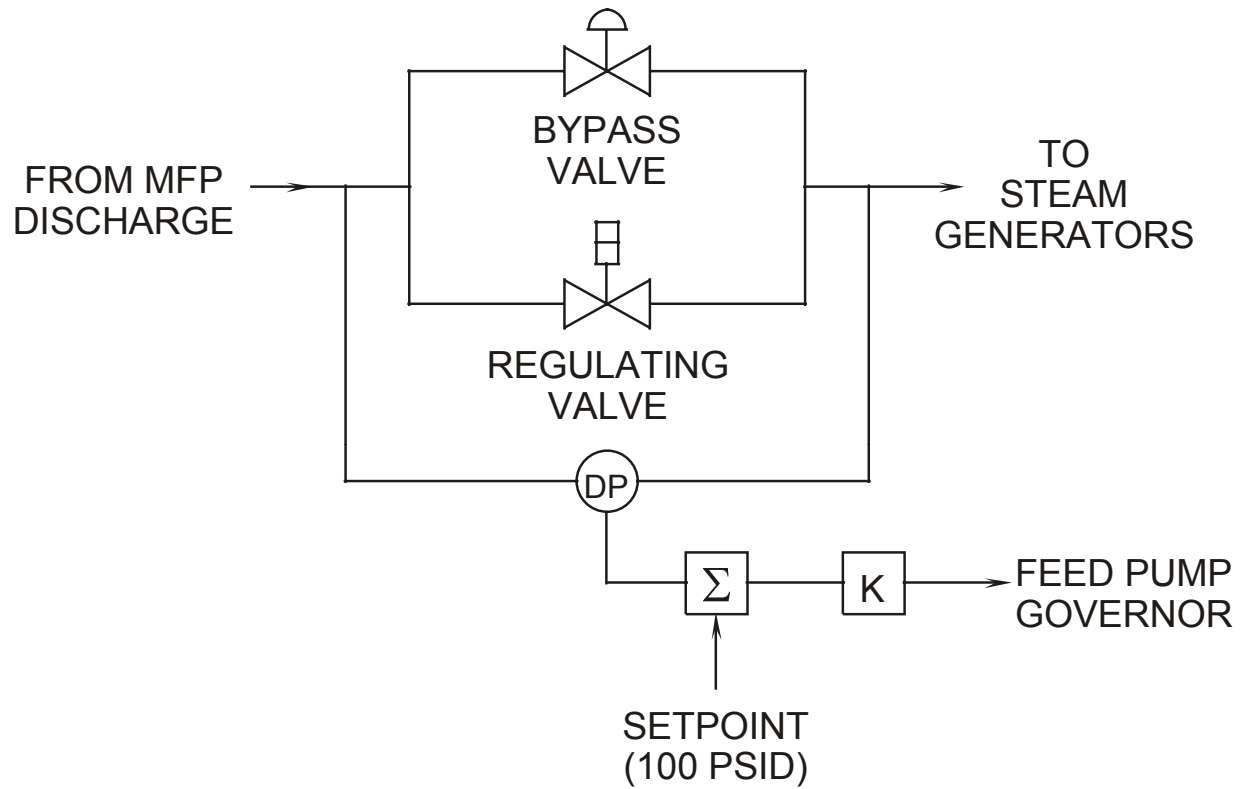


Figure 7-1c Feedwater Control System

**The End**