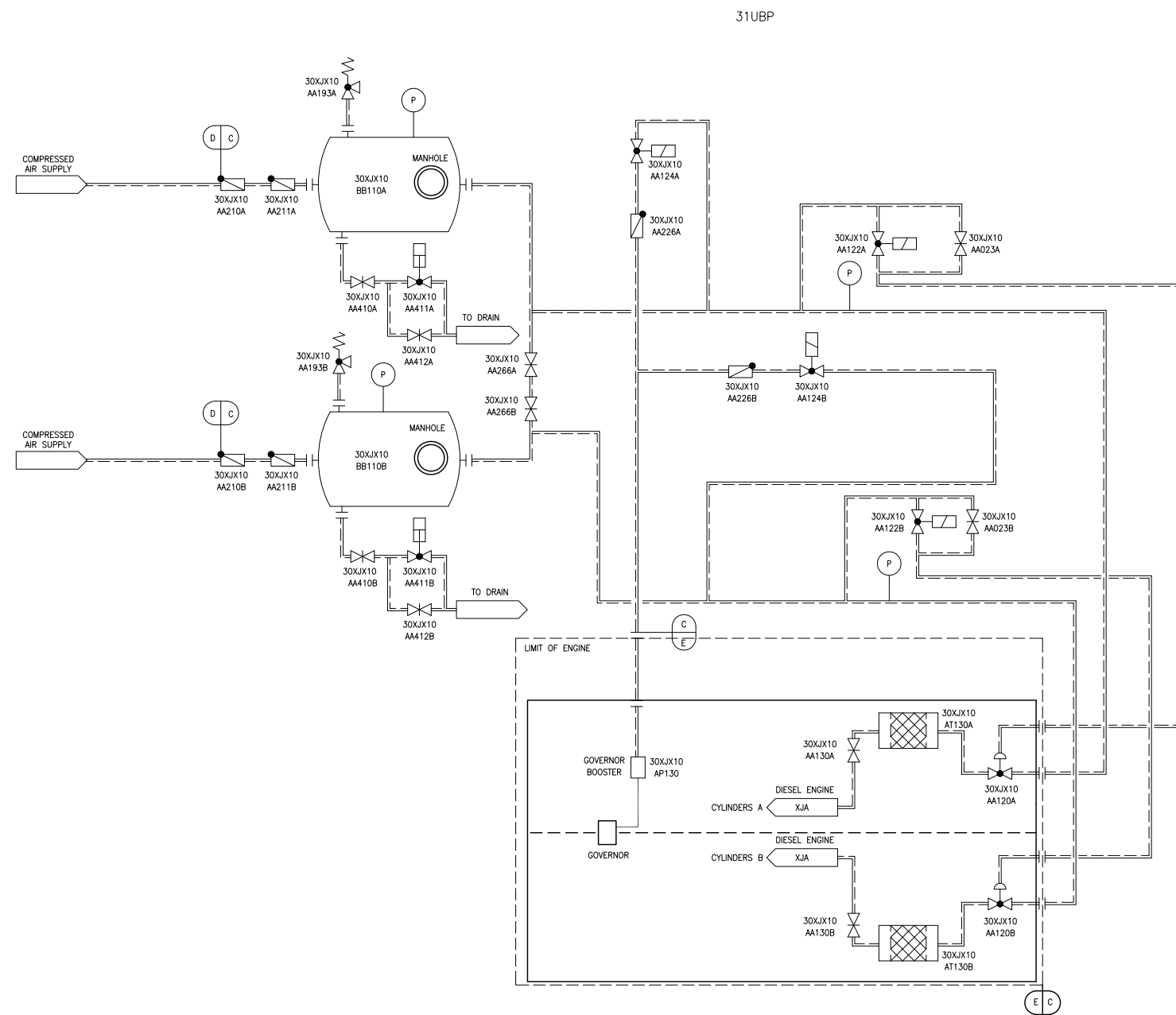


Figure 9.5.6-1—Emergency Diesel Generator Starting Air System



XJA - ENGINE
 XJX - EMERGENCY DIESEL STARTING AIR SYSTEM
 31UBP - EMERGENCY POWER GENERATING BUILDING

NOTE:
 1. DIVISION 1 SHOWN IS REPRESENTATIVE OF DIVISIONS 2, 3 AND 4 WITH EXCEPTIONS NOTED.

E	N/A	I
D	D	II
C	C	I
DESIGN AREA	SSC QUALITY GROUP	SSC SEISMIC CLASS

REV 003
 XJX01T2