

Figure 9.5.5-1—Emergency Diesel Generator Cooling Water System
Sheet 1 of 2

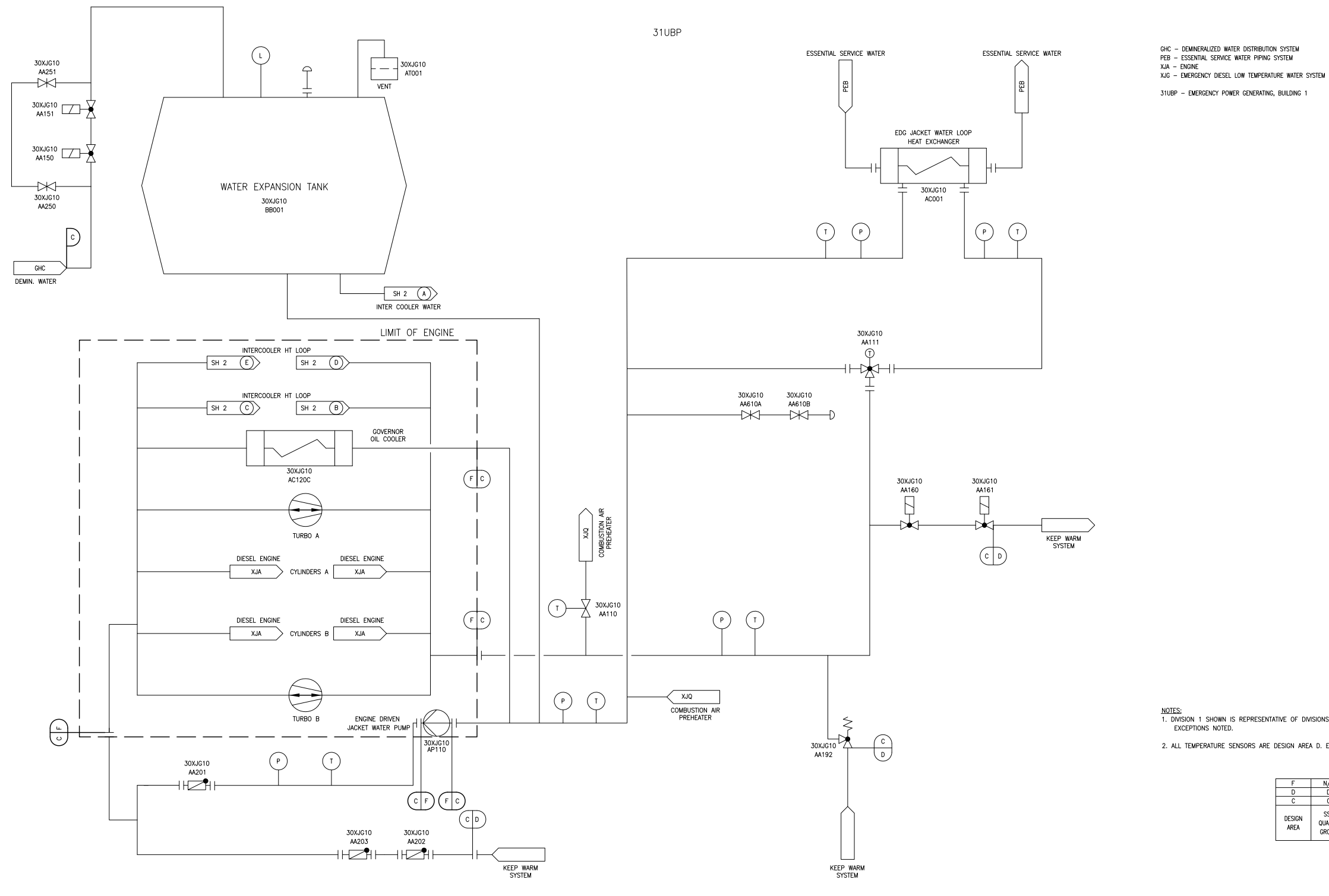
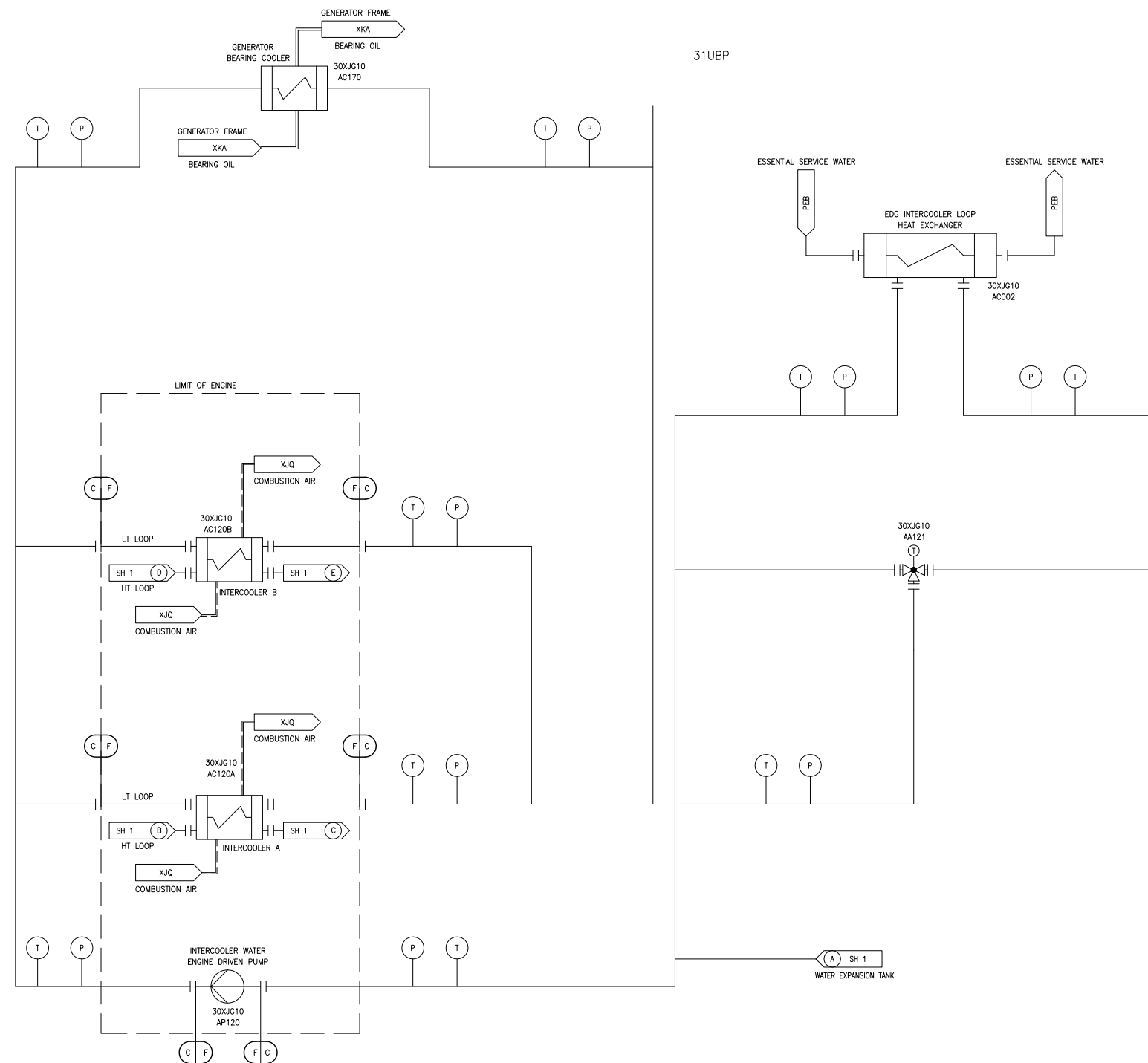


Figure 9.5.5-1—Emergency Diesel Generator Cooling Water System
Sheet 2 of 2



PEB - ESSENTIAL SERVICE WATER PIPING SYSTEM
 XJA - ENGINE
 XJG - EMERGENCY DIESEL LOW TEMPERATURE WATER SYSTEM
 XJQ - EMERGENCY DIESEL EXHAUST GAS AND AIR INTAKE SYSTEM
 XKA - GENERATOR FRAME
 31UBP - EMERGENCY POWER GENERATING BUILDING

NOTES:
 1. DIVISION 1 SHOWN IS REPRESENTATIVE OF DIVISIONS 2, 3 AND 4 WITH EXCEPTIONS NOTED.

F	N/A	I
C	C	I
DESIGN AREA	SSC QUALITY GROUP	SSC SEISMIC CLASS

REV 003
 XJG02T2