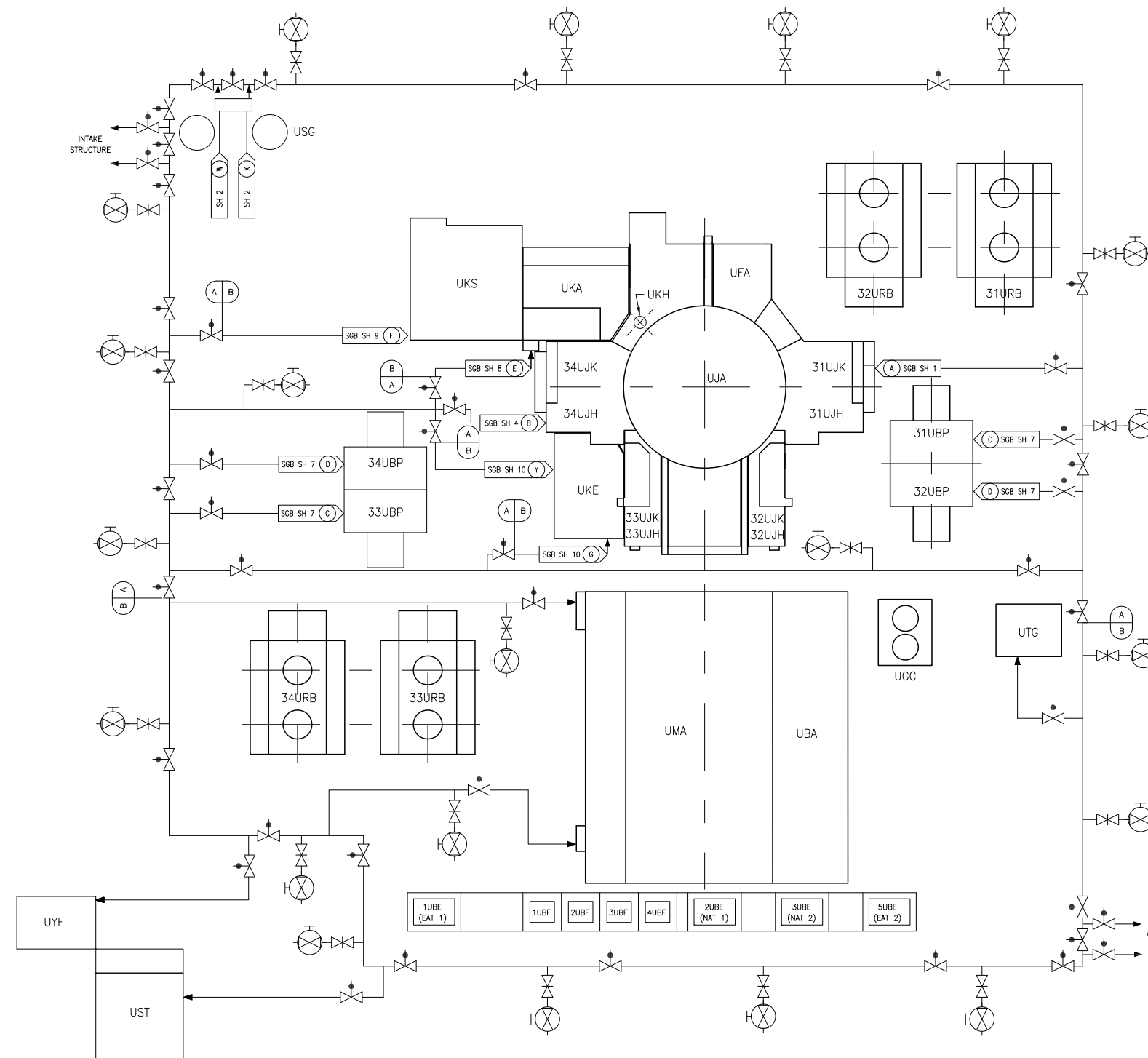


Figure 9.5.1-1—Fire Water Distribution System  
Sheet 1 of 13

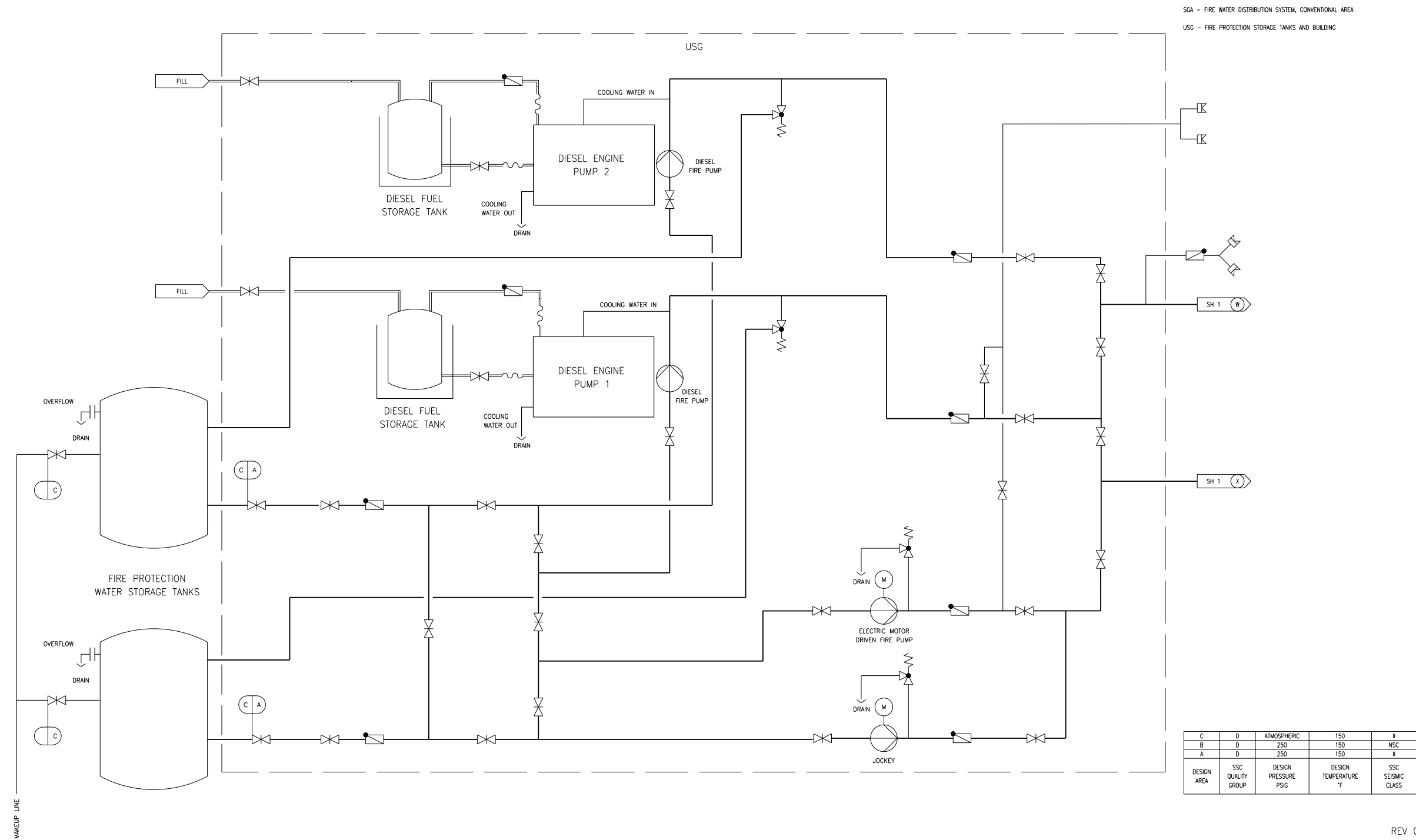


- SGA - FIRE WATER DISTRIBUTION SYSTEM, CONVENTIONAL AREA
- SGB - FIRE WATER DISTRIBUTION SYSTEM INSIDE NUCLEAR ISLAND
- UBA - SWITCHGEAR BUILDING
- UBE - AUXILIARY POWER TRANSFORMER AREA
- UBF - GENERATOR TRANSFORMER AREA
- 31UBP - EMERGENCY POWER GENERATING BUILDING 1
- 32UBP - EMERGENCY POWER GENERATING BUILDING 2
- 33UBP - EMERGENCY POWER GENERATING BUILDING 3
- 34UBP - EMERGENCY POWER GENERATING BUILDING 4
- UFA - FUEL BUILDING
- UFC - DEMINERALIZED WATER STORAGE AREA
- UJA - REACTOR BUILDING
- 31UJH - SAFEGUARD BUILDING MECHANICAL, DIVISION 1
- 32UJH - SAFEGUARD BUILDING MECHANICAL, DIVISION 2
- 33UJH - SAFEGUARD BUILDING MECHANICAL, DIVISION 3
- 34UJH - SAFEGUARD BUILDING MECHANICAL, DIVISION 4
- 31UJK - SAFEGUARD BUILDING ELECTRICAL, DIVISION 1
- 32UJK - SAFEGUARD BUILDING ELECTRICAL, DIVISION 2
- 33UJK - SAFEGUARD BUILDING ELECTRICAL, DIVISION 3
- 34UJK - SAFEGUARD BUILDING ELECTRICAL, DIVISION 4
- UKA - NUCLEAR AUXILIARY BUILDING
- UKE - ACCESS BUILDING
- UKH - VENT STACK
- UKS - RADIOACTIVE WASTE PROCESSING BUILDING
- UMA - TURBINE BUILDING
- 31URB - ESSENTIAL SERVICE WATER COOLING TOWER STRUCTURE, DIVISION 1
- 32URB - ESSENTIAL SERVICE WATER COOLING TOWER STRUCTURE, DIVISION 2
- 33URB - ESSENTIAL SERVICE WATER COOLING TOWER STRUCTURE, DIVISION 3
- 34URB - ESSENTIAL SERVICE WATER COOLING TOWER STRUCTURE, DIVISION 4
- USG - FIRE PROTECTION STORAGE TANKS AND BUILDING
- UST - WORKSHOP AND WAREHOUSE BUILDING
- UTG - CENTRAL GAS SUPPLY BUILDING
- UYF - SECURITY ACCESS FACILITY

C	D	ATMOSPHERIC	150	II
B	D	250	150	NSC
A	D	250	150	II
DESIGN AREA	SSC QUALITY GROUP	DESIGN PRESSURE PSIG	DESIGN TEMPERATURE °F	SSC SEISMIC CLASS

SGA01T2  
REV 002

Figure 9.5.1-1—Fire Water Distribution System  
Sheet 2 of 13

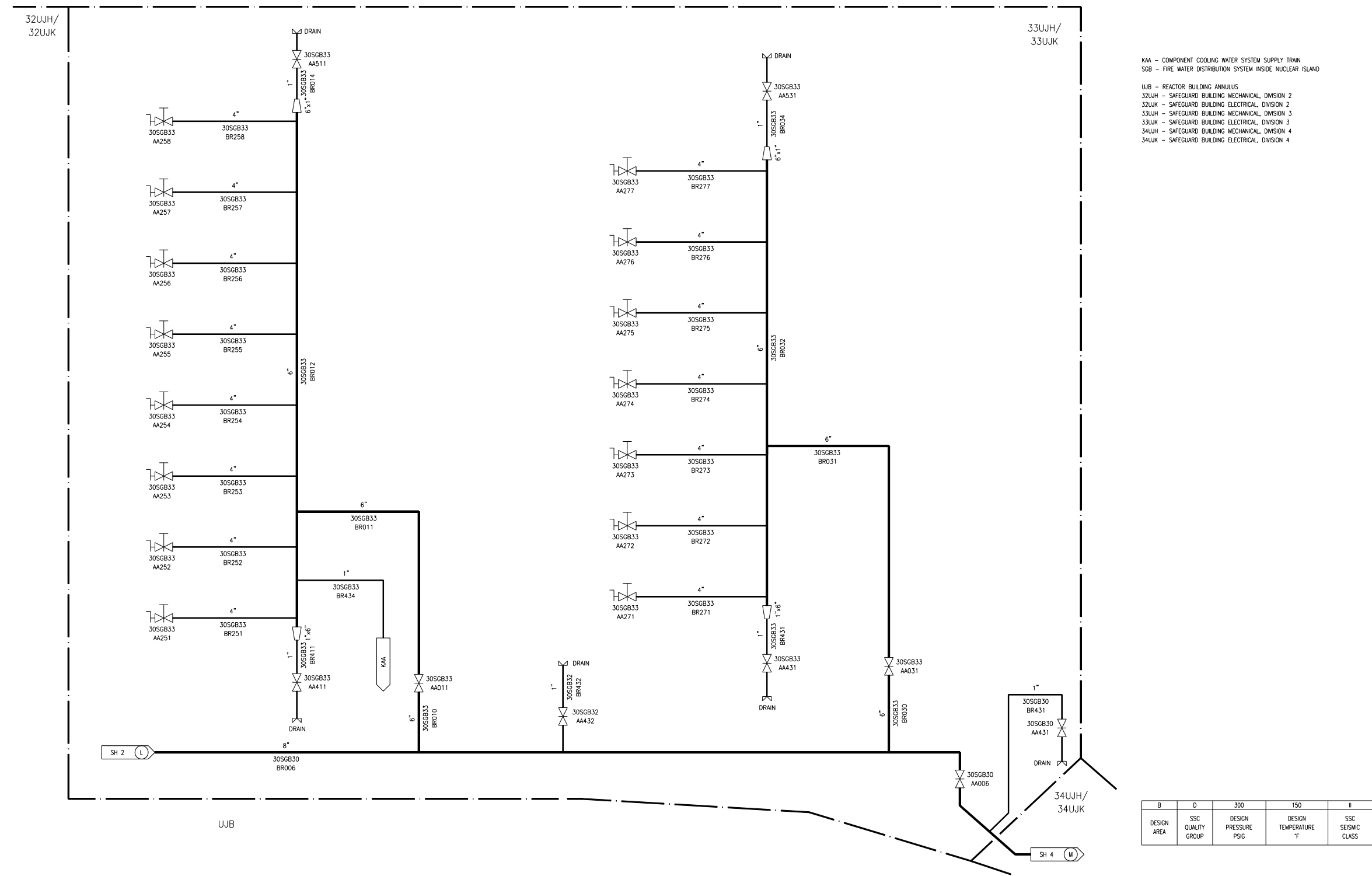


REV 001  
SGA02T2



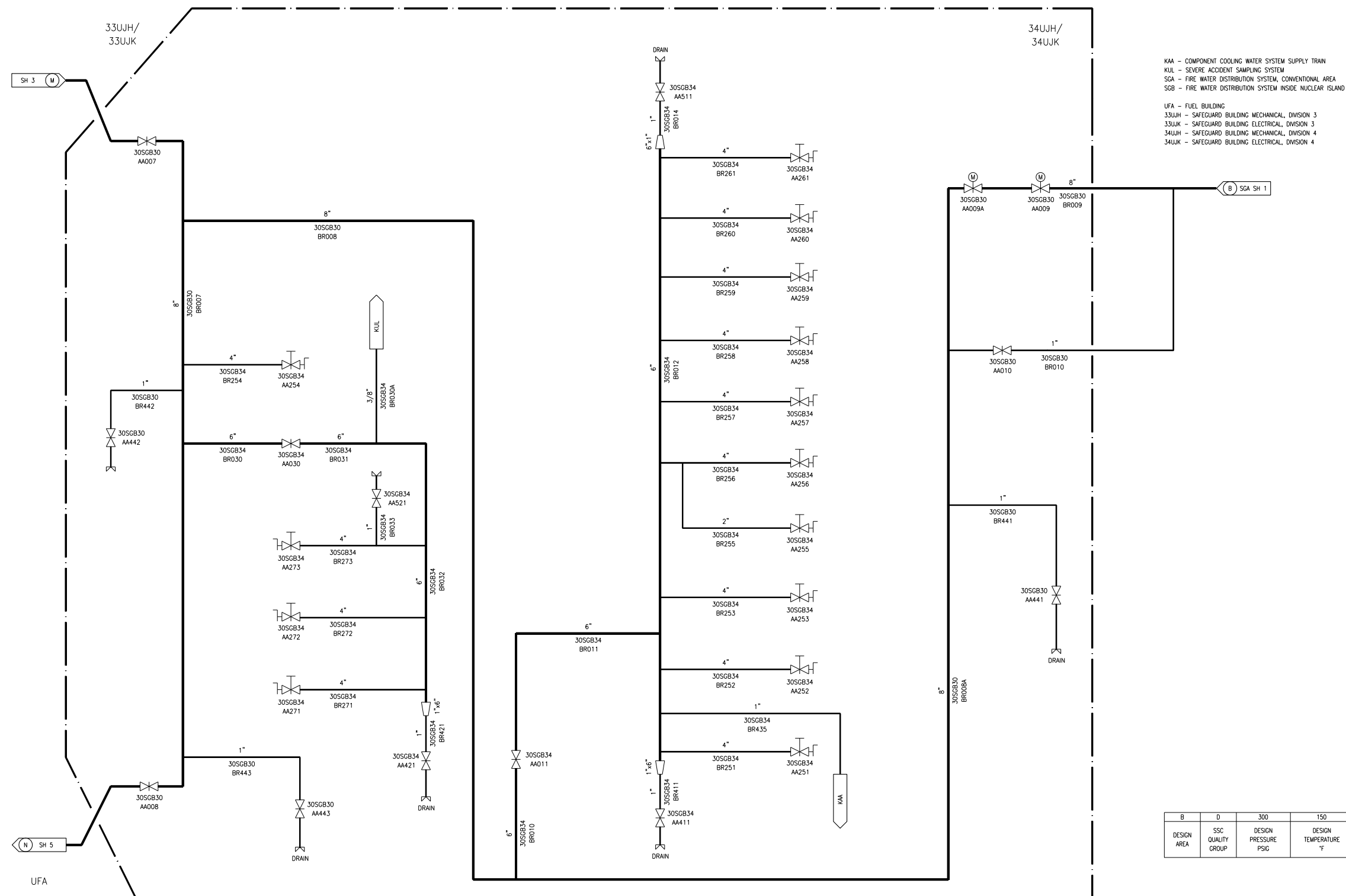


Figure 9.5.1-1—Fire Water Distribution System  
Sheet 5 of 13



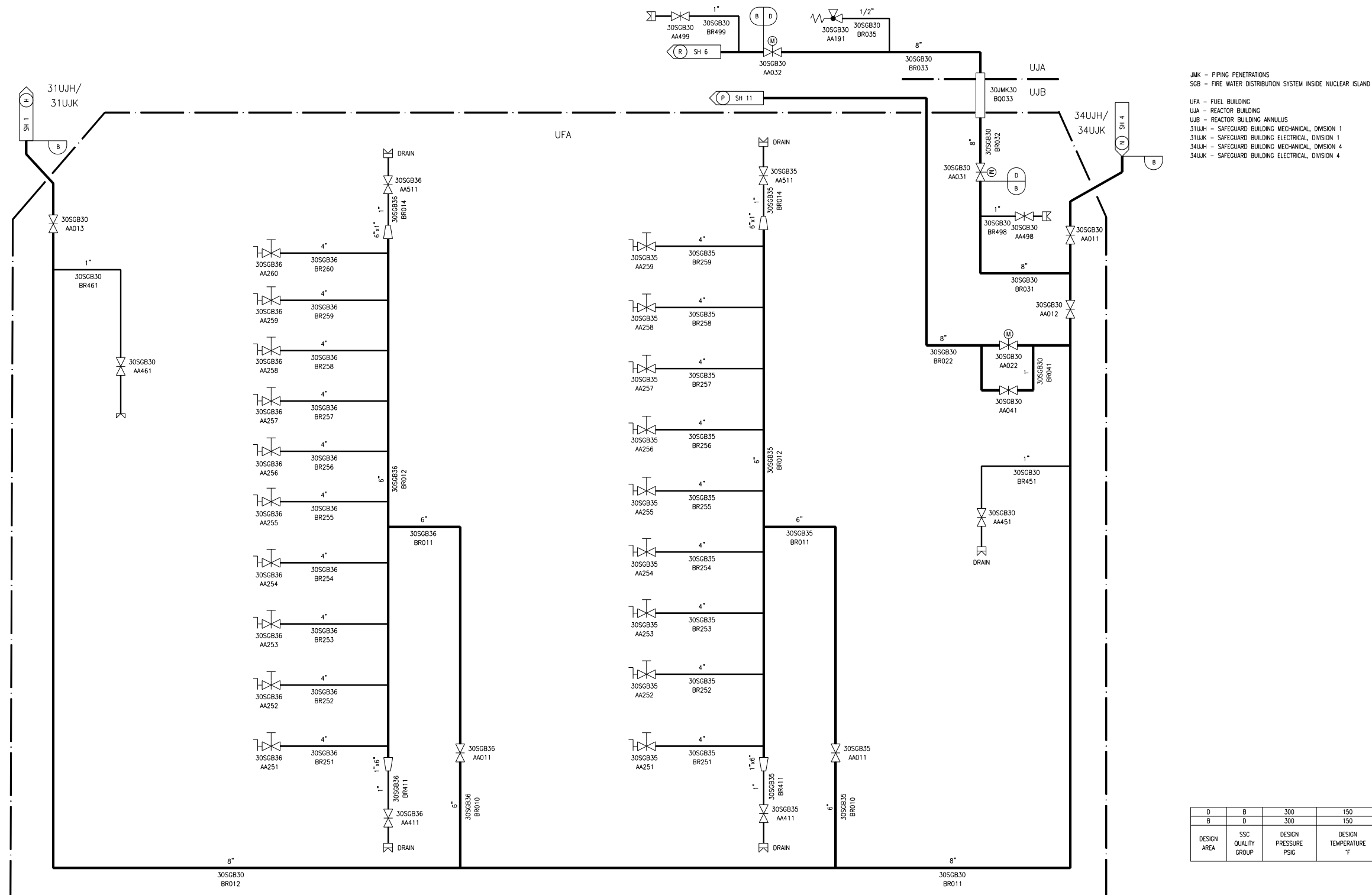
SGB03T2

Figure 9.5.1-1—Fire Water Distribution System  
Sheet 6 of 13



SGB04T2

Figure 9.5.1-1—Fire Water Distribution System  
Sheet 7 of 13

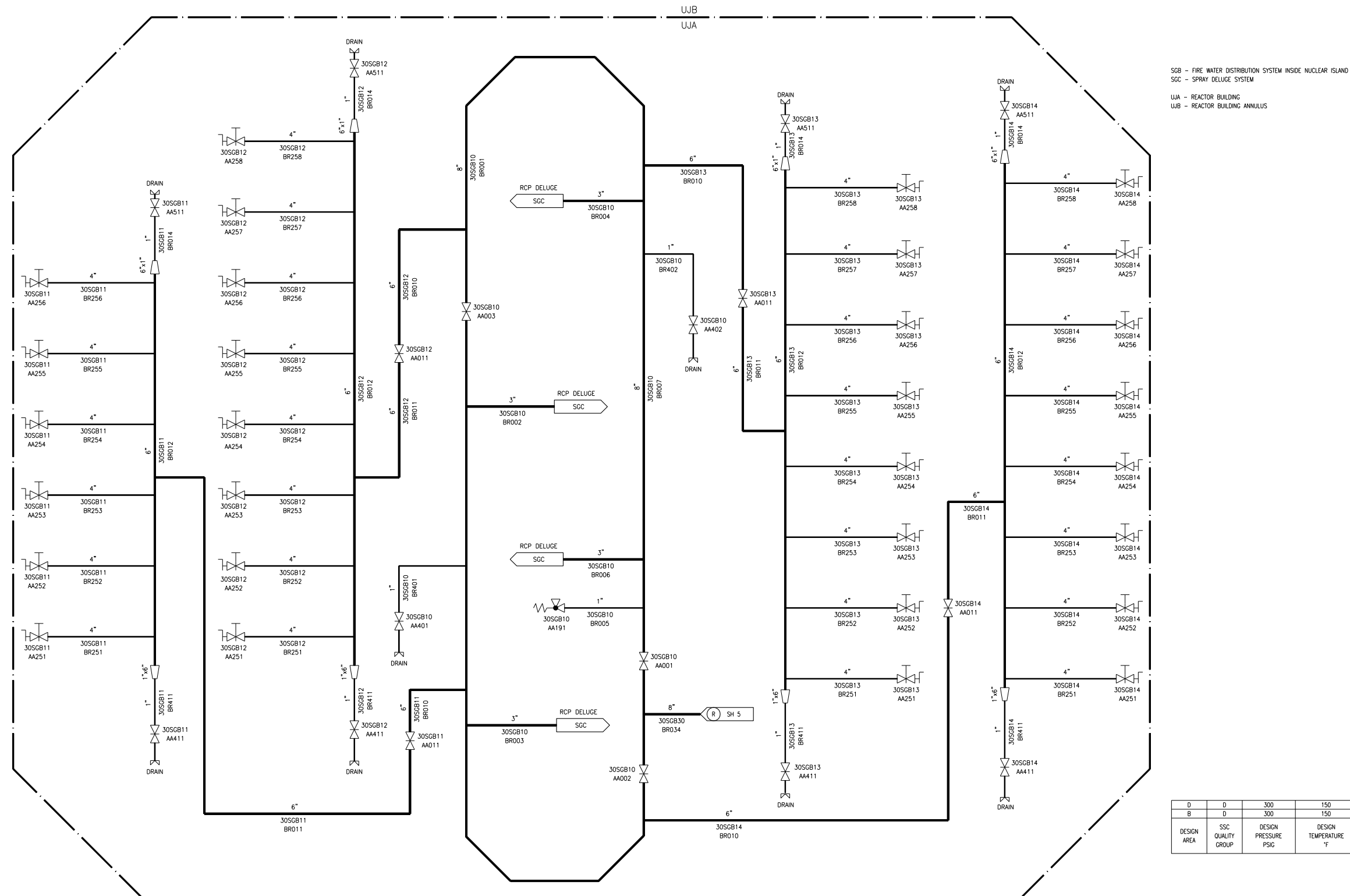


JMK - PIPING PENETRATIONS  
 SGB - FIRE WATER DISTRIBUTION SYSTEM INSIDE NUCLEAR ISLAND  
 UFA - FUEL BUILDING  
 UJA - REACTOR BUILDING  
 UJB - REACTOR BUILDING ANNULUS  
 31UJH - SAFEGUARD BUILDING ELECTRICAL, DIVISION 1  
 31UJK - SAFEGUARD BUILDING ELECTRICAL, DIVISION 1  
 34UJH - SAFEGUARD BUILDING ELECTRICAL, DIVISION 4  
 34UJK - SAFEGUARD BUILDING ELECTRICAL, DIVISION 4

D	B	300	150	I
B	D	300	150	II
DESIGN AREA	SSC QUALITY GROUP	DESIGN PRESSURE PSIG	DESIGN TEMPERATURE °F	SSC SEISMIC CLASS

REV 002  
SGB05T2

Figure 9.5.1-1—Fire Water Distribution System  
Sheet 8 of 13



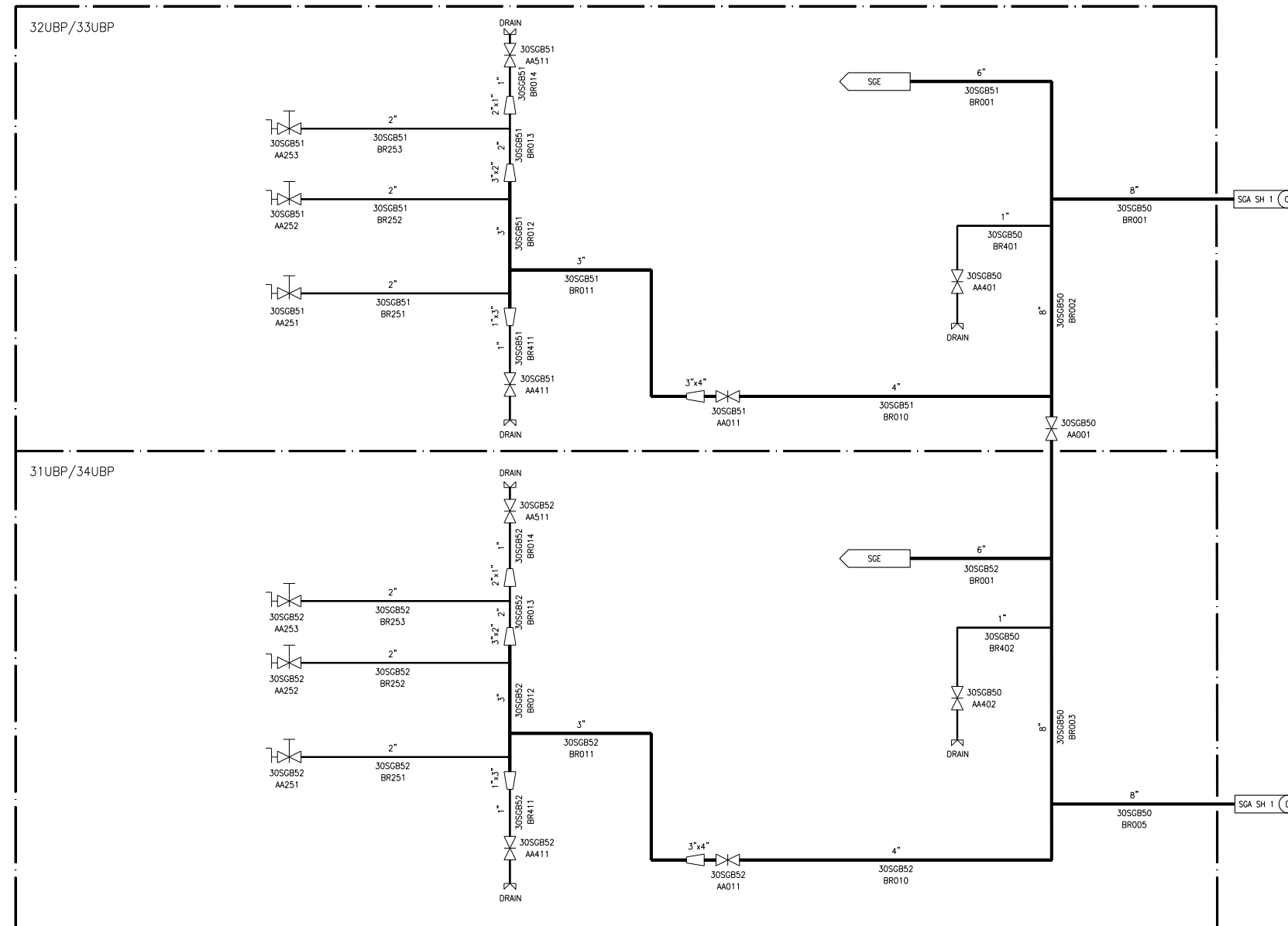
SGB - FIRE WATER DISTRIBUTION SYSTEM INSIDE NUCLEAR ISLAND  
 SGC - SPRAY DELUGE SYSTEM  
 UJA - REACTOR BUILDING  
 UJB - REACTOR BUILDING ANNULUS

D	D	300	150	I
B	D	300	150	II
DESIGN AREA	SSC QUALITY GROUP	DESIGN PRESSURE PSIG	DESIGN TEMPERATURE °F	SSC SEISMIC CLASS

REV 001  
SGB06T2



Figure 9.5.1-1—Fire Water Distribution System  
Sheet 9 of 13



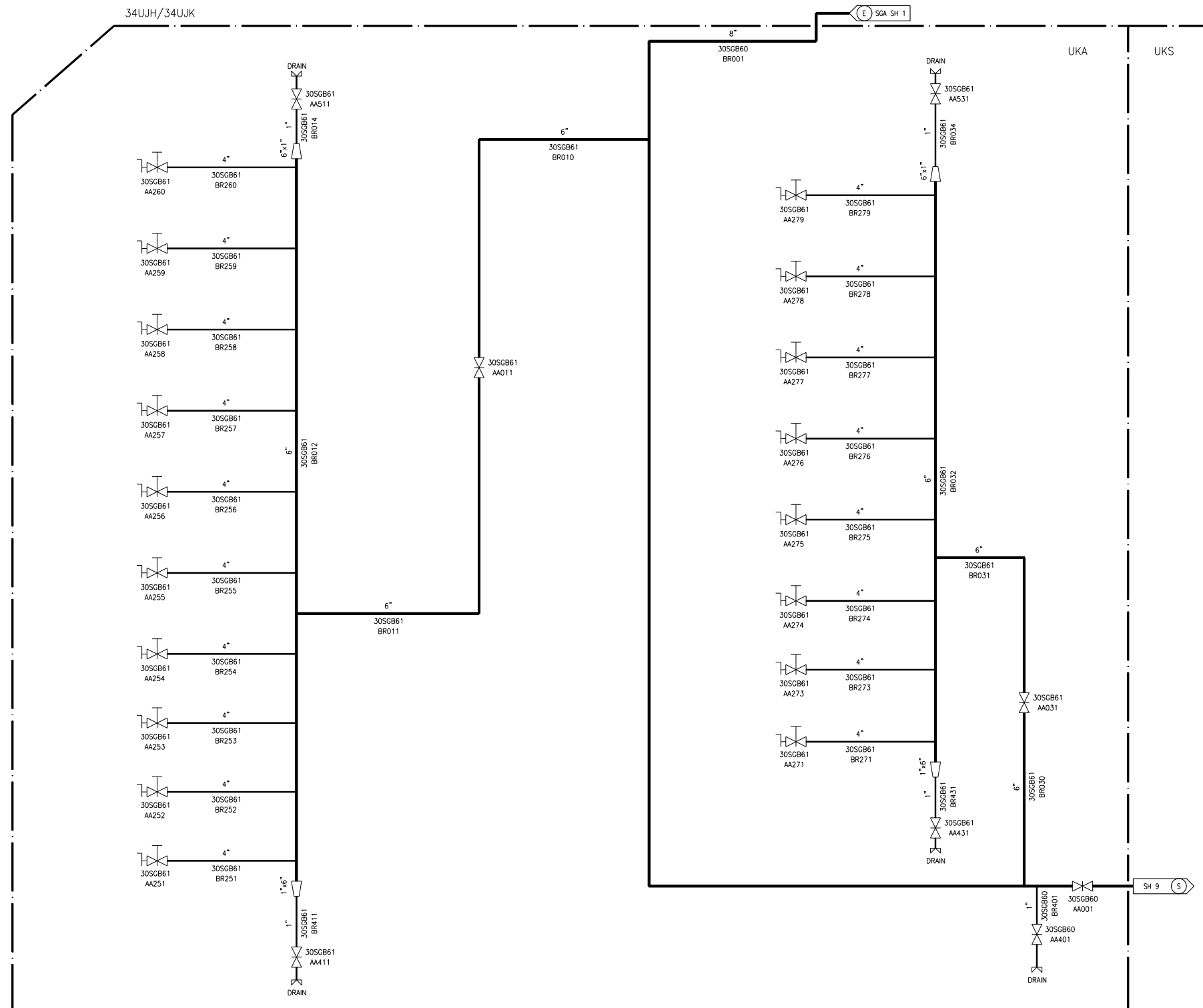
SCA - FIRE WATER DISTRIBUTION SYSTEM, CONVENTIONAL AREA  
 SGB - FIRE WATER DISTRIBUTION SYSTEM INSIDE NUCLEAR ISLAND  
 SCE - SPRINKLER SYSTEMS

31UBP - EMERGENCY POWER GENERATING, DIVISION 1  
 32UBP - EMERGENCY POWER GENERATING, DIVISION 2  
 33UBP - EMERGENCY POWER GENERATING, DIVISION 3  
 34UBP - EMERGENCY POWER GENERATING, DIVISION 4

B	D	300	150	II
DESIGN AREA	SSC QUALITY GROUP	DESIGN PRESSURE PSIG	DESIGN TEMPERATURE °F	SSC SEISMIC CLASS

SGB07T2

Figure 9.5.1-1—Fire Water Distribution System  
Sheet 10 of 13



SGA - FIRE WATER DISTRIBUTION SYSTEM, CONVENTIONAL AREA  
SGB - FIRE WATER DISTRIBUTION SYSTEM INSIDE NUCLEAR ISLAND  
34UJH - SAFEGUARD BUILDING MECHANICAL DIVISION 4  
34UJK - SAFEGUARD BUILDING ELECTRICAL DIVISION 4  
UKA - NUCLEAR AUXILIARY BUILDING  
UKS - RADIOACTIVE WASTE PROCESSING BUILDING

H	D	300	150	NSC
DESIGN AREA	SSC QUALITY GROUP	DESIGN PRESSURE PSIG	DESIGN TEMPERATURE °F	SSC SEISMIC CLASS

SGB08T2

Figure 9.5.1-1—Fire Water Distribution System  
Sheet 11 of 13

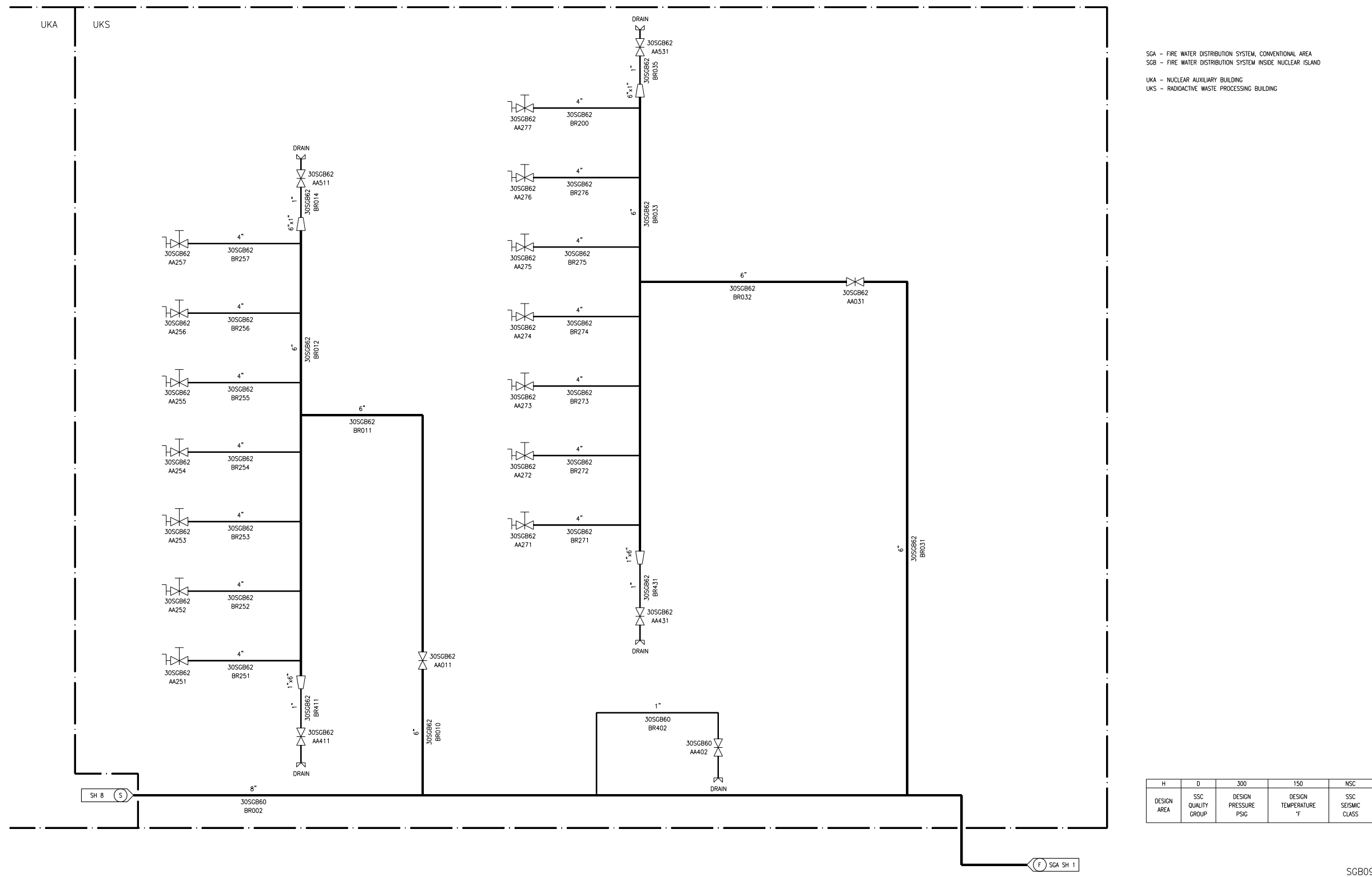
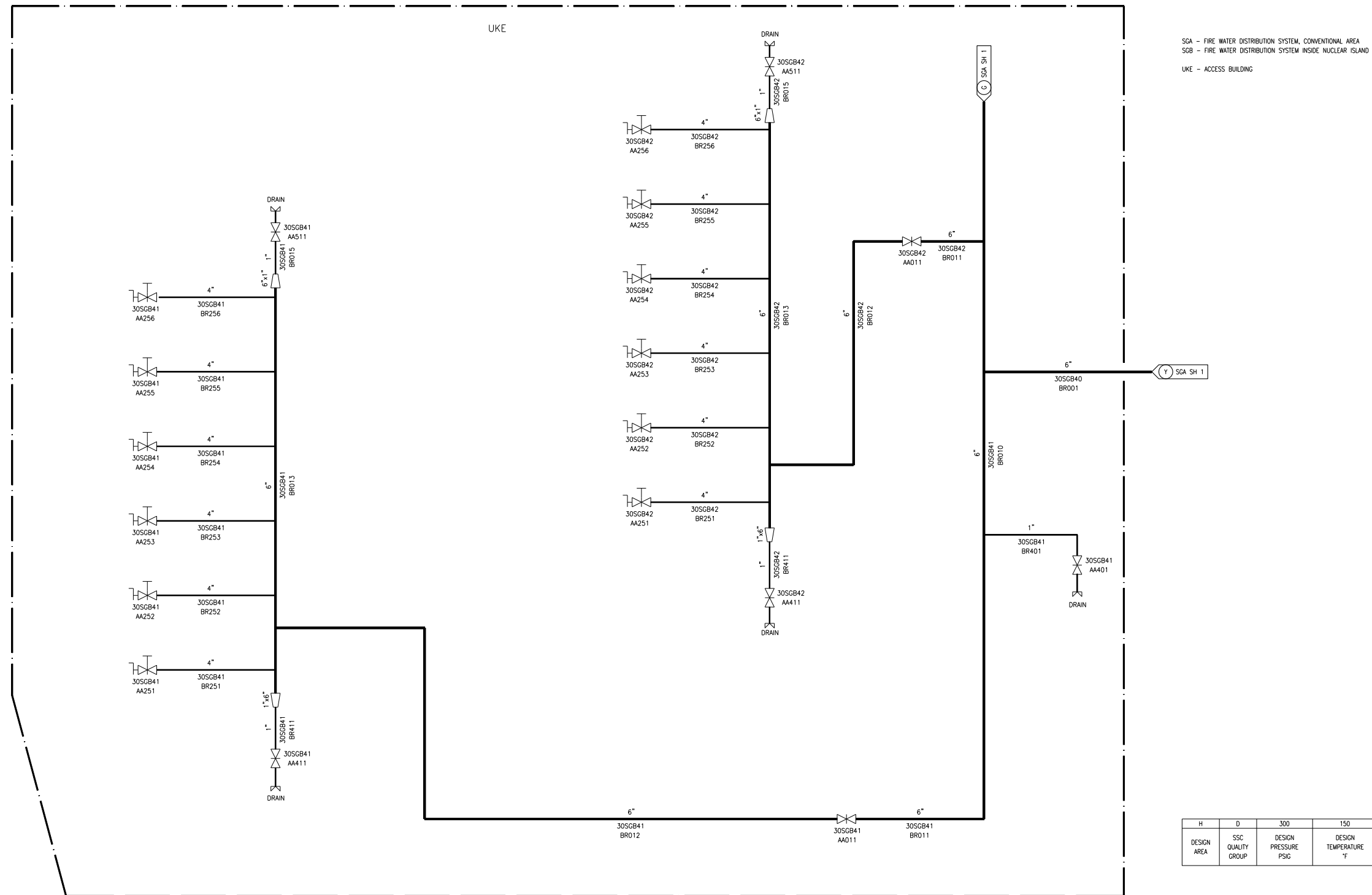
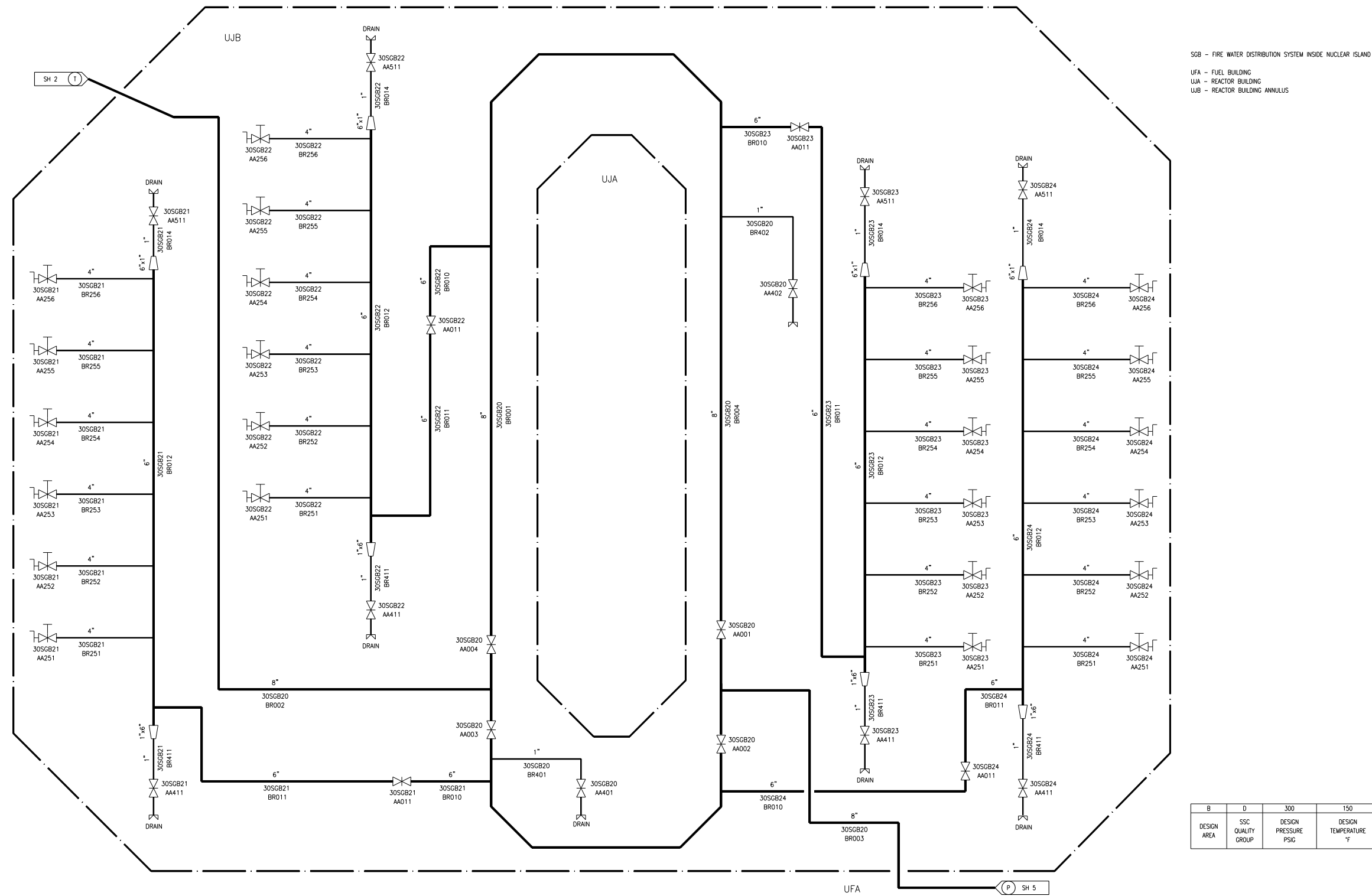


Figure 9.5.1-1—Fire Water Distribution System  
Sheet 12 of 13



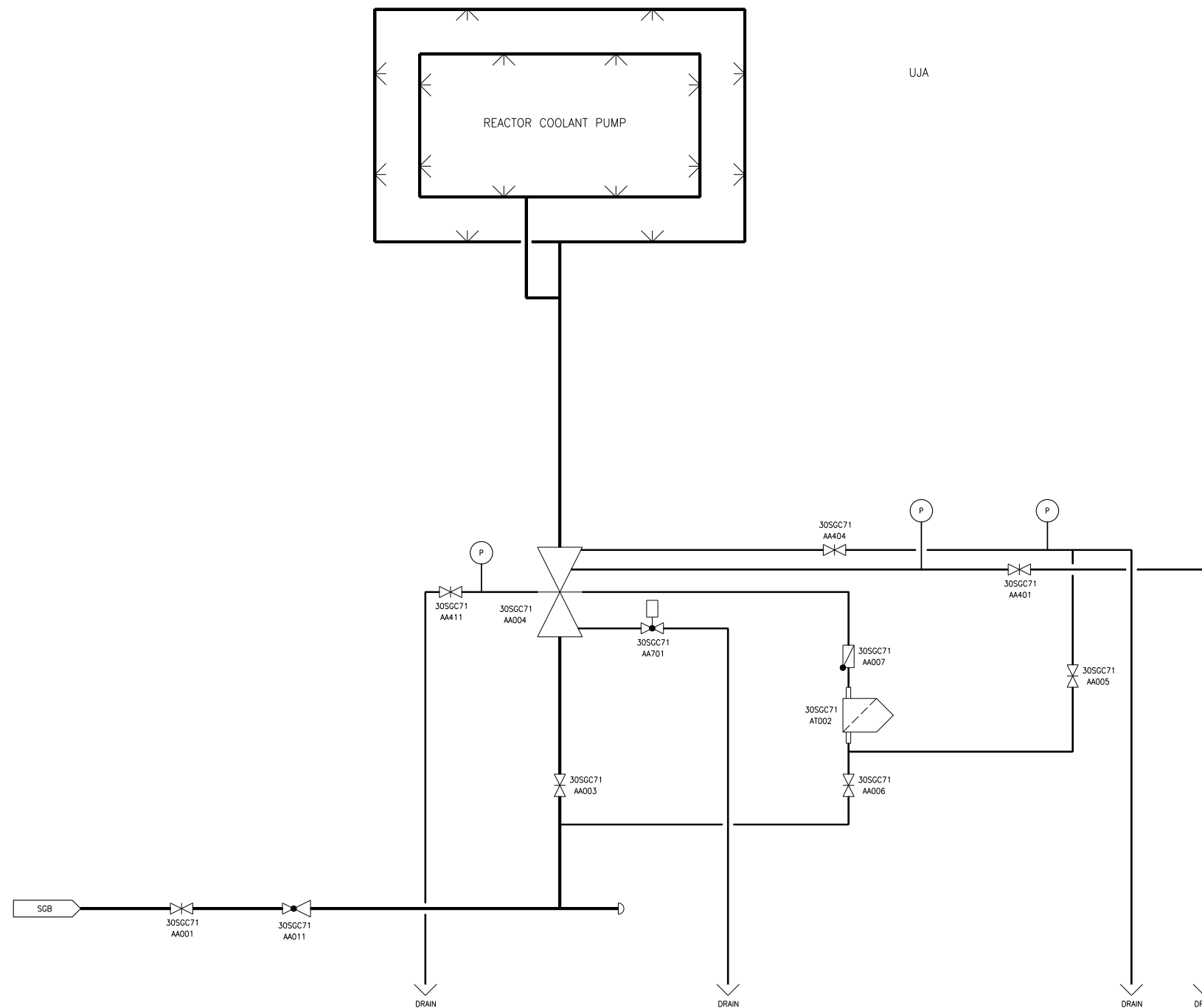
SGB10T2

Figure 9.5.1-1—Fire Water Distribution System  
Sheet 13 of 13



SGB11T2

Figure 9.5.1-2—Spray Deluge Systems Layout  
Sheet 1 of 2



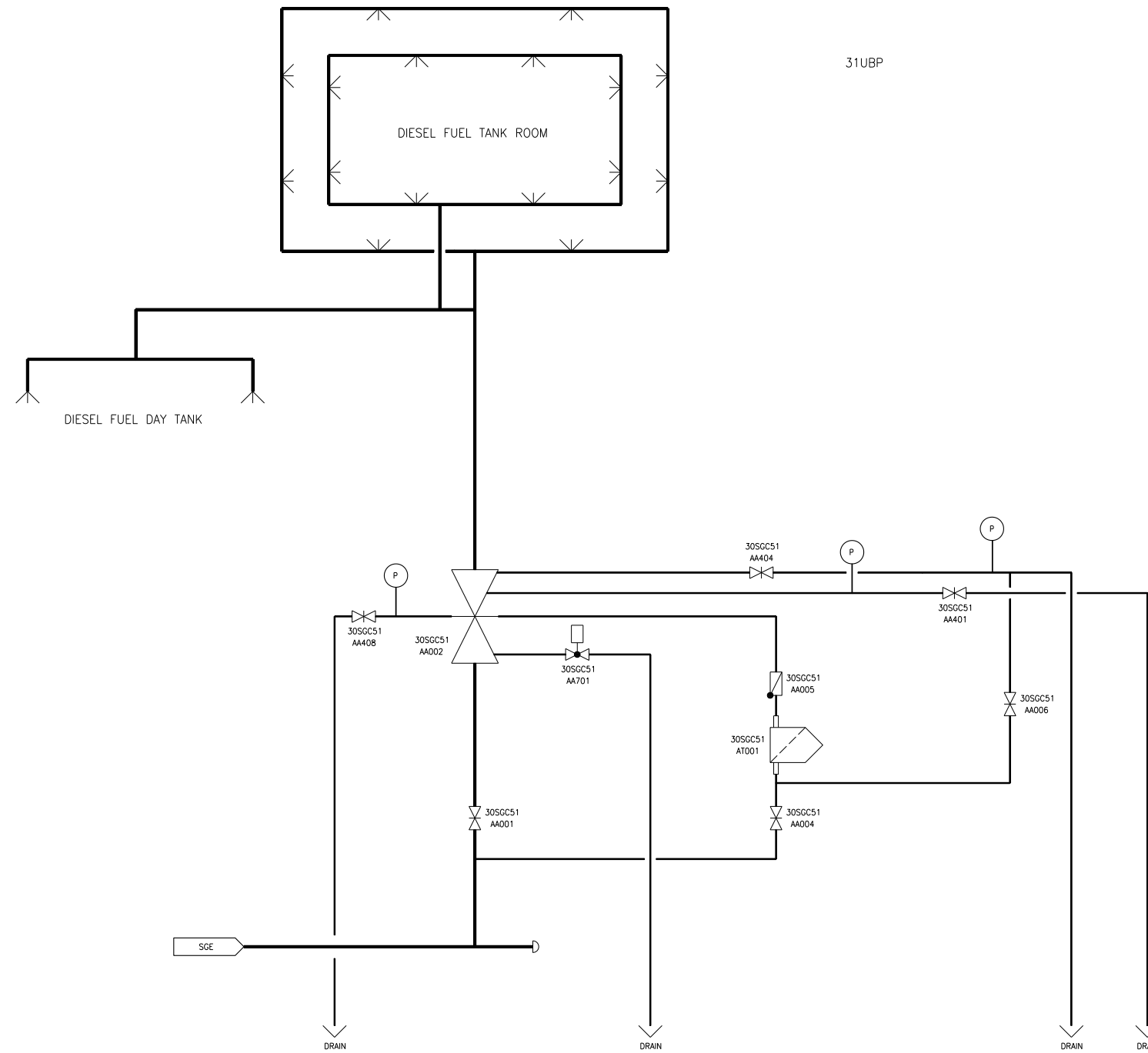
SGB - FIRE WATER SYSTEM; NUCLEAR ISLAND  
SGC - SPRAY DELUGE SYSTEM  
UJA - REACTOR BUILDING

NOTE:  
REACTOR COOLANT PUMP LOOP 1 SHOWN, REPRESENTATIVE OF SPRAY  
DELUGE SYSTEM FOR LOOPS 2, 3 AND 4.

B	D	175	122.4	NSC
DESIGN AREA	SSC QUALITY GROUP	DESIGN PRESSURE PSIG	DESIGN TEMPERATURE °F	SSC SEISMIC CLASS

SGC01T2

Figure 9.5.1-2—Spray Deluge Systems Layout  
Sheet 2 of 2



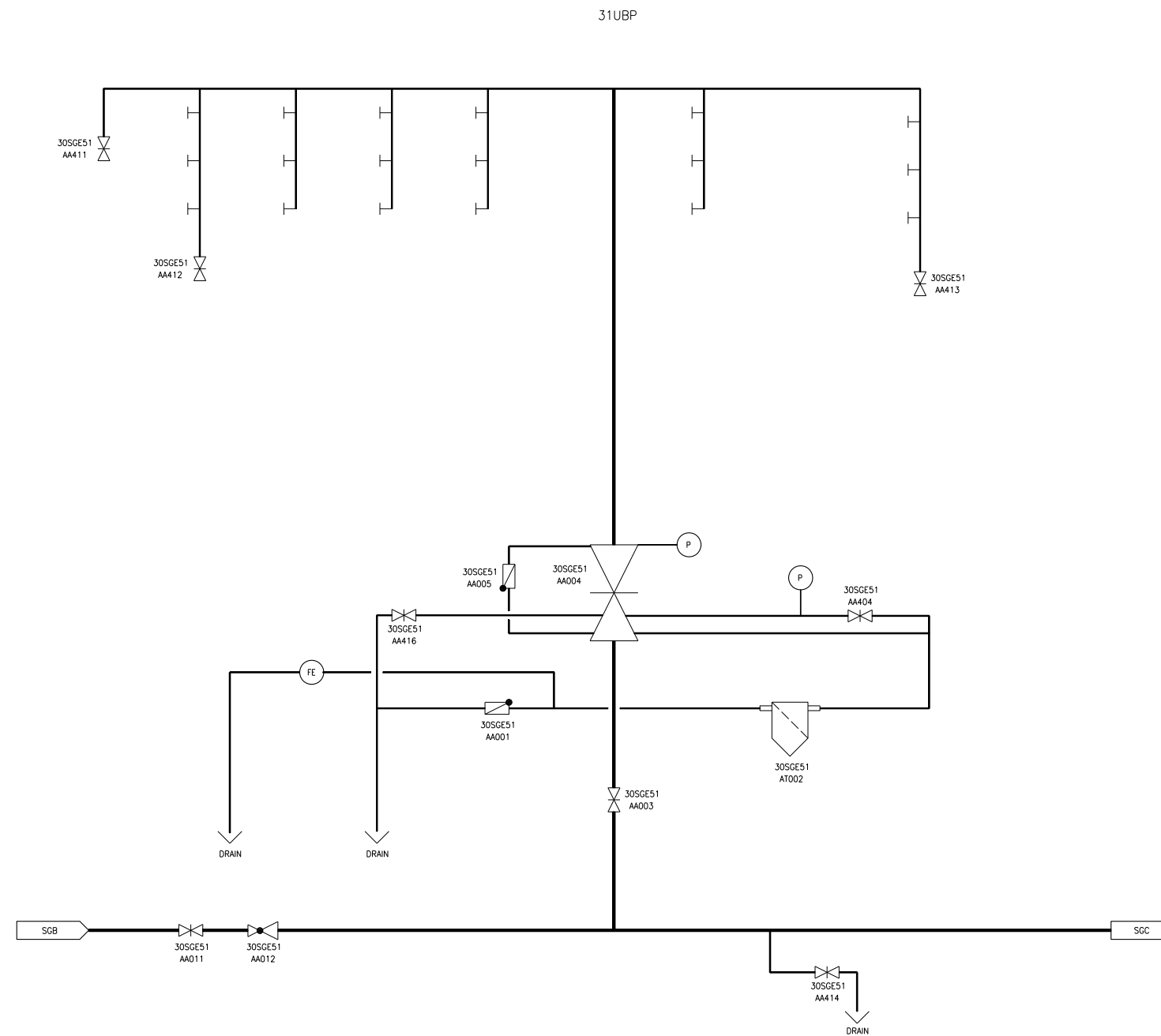
SGC - SPRAY DELUGE SYSTEM  
SGE - SPRINKLER SYSTEMS  
31UBP - EMERGENCY DIESEL GENERATING BUILDING, DIVISION 1

NOTE:  
SPRAY DELUGE DIVISION 1 SHOWN, REPRESENTATIVE OF DIVISIONS 2, 3 AND 4.

B	D	175	122.4	NSC
DESIGN AREA	SSC QUALITY GROUP	DESIGN PRESSURE PSIG	DESIGN TEMPERATURE °F	SSC SEISMIC CLASS

SGC02T2

Figure 9.5.1-3—Sprinkler Systems Layout



SGB - FIRE WATER DISTRIBUTION SYSTEM INSIDE NUCLEAR ISLAND  
 SGC - SPRAY DELUGE SYSTEMS  
 SGE - SPRINKLER SYSTEMS  
 31UBP - EMERGENCY DIESEL GENERATING BUILDING, DIVISION 1

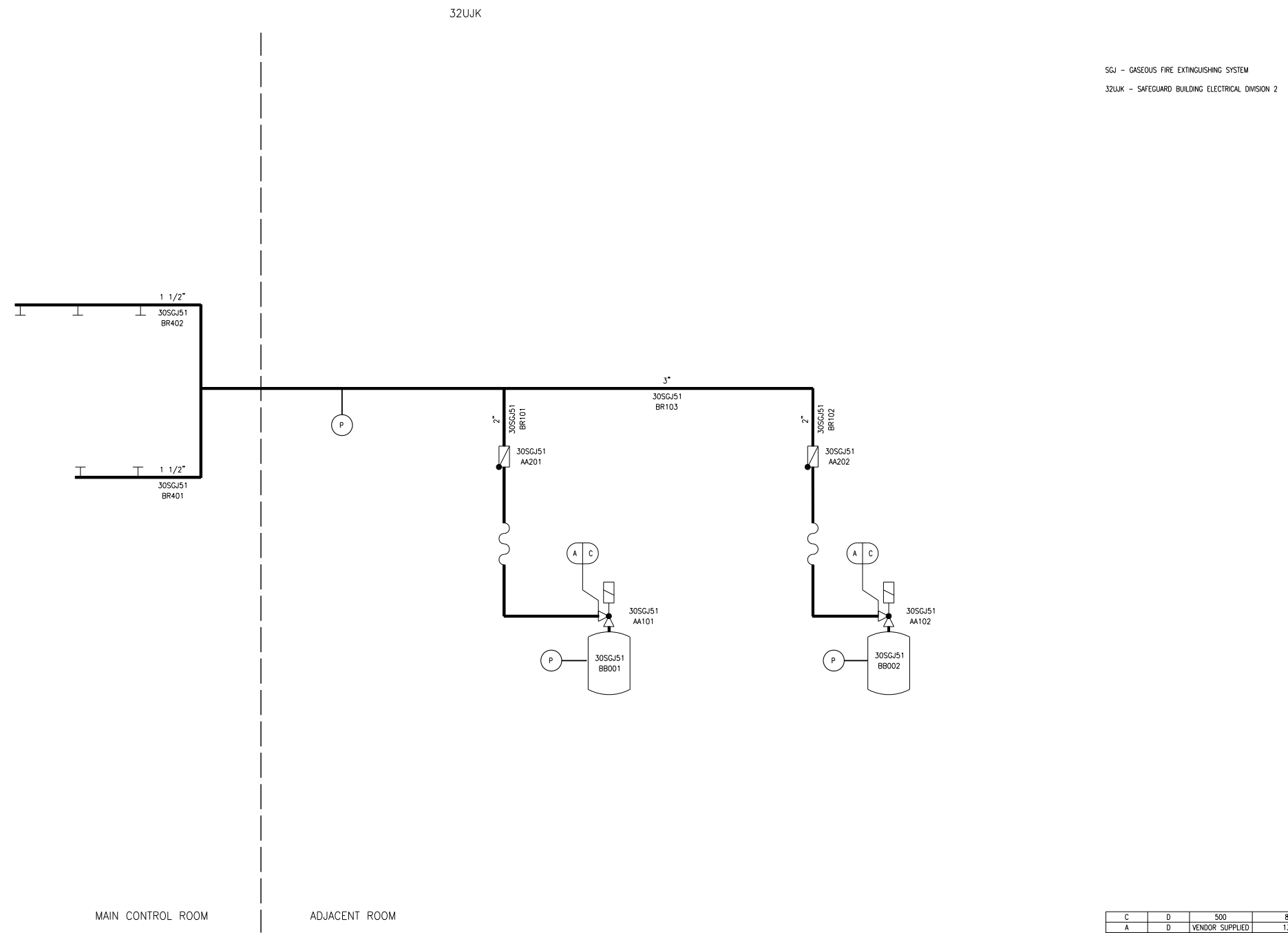
NOTE:  
SPRINKLER DIVISION 1 SHOWN, IS REPRESENTATIVE OF DIVISIONS 2, 3 AND 4.

B	D	175	122.4	N5C
DESIGN AREA	SSC QUALITY GROUP	DESIGN PRESSURE PSIG	DESIGN TEMPERATURE °F	SSC SEISMIC CLASS

SCE01T2



Figure 9.5.1-4—Gaseous Fire Extinguishing Systems Layout



C	D	500	80	NSC
A	D	VENDOR SUPPLIED	130	NSC
DESIGN AREA	SSC QUALITY GROUP	DESIGN PRESSURE PSIG	DESIGN TEMPERATURE °F	SSC SEISMIC CLASS

SGJ01T2