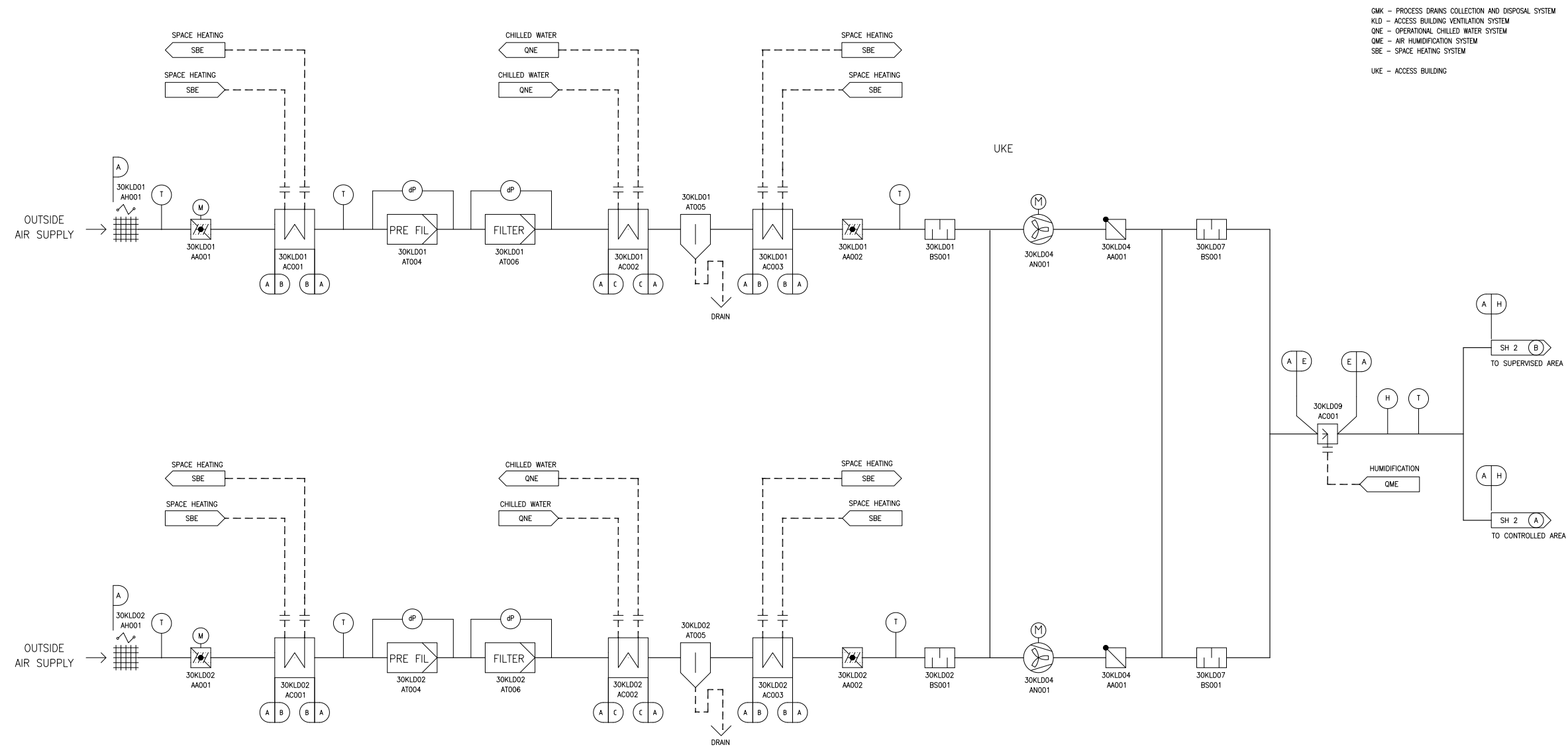


Figure 9.4.14-1—Access Building Ventilation System – Supply Air Subsystem

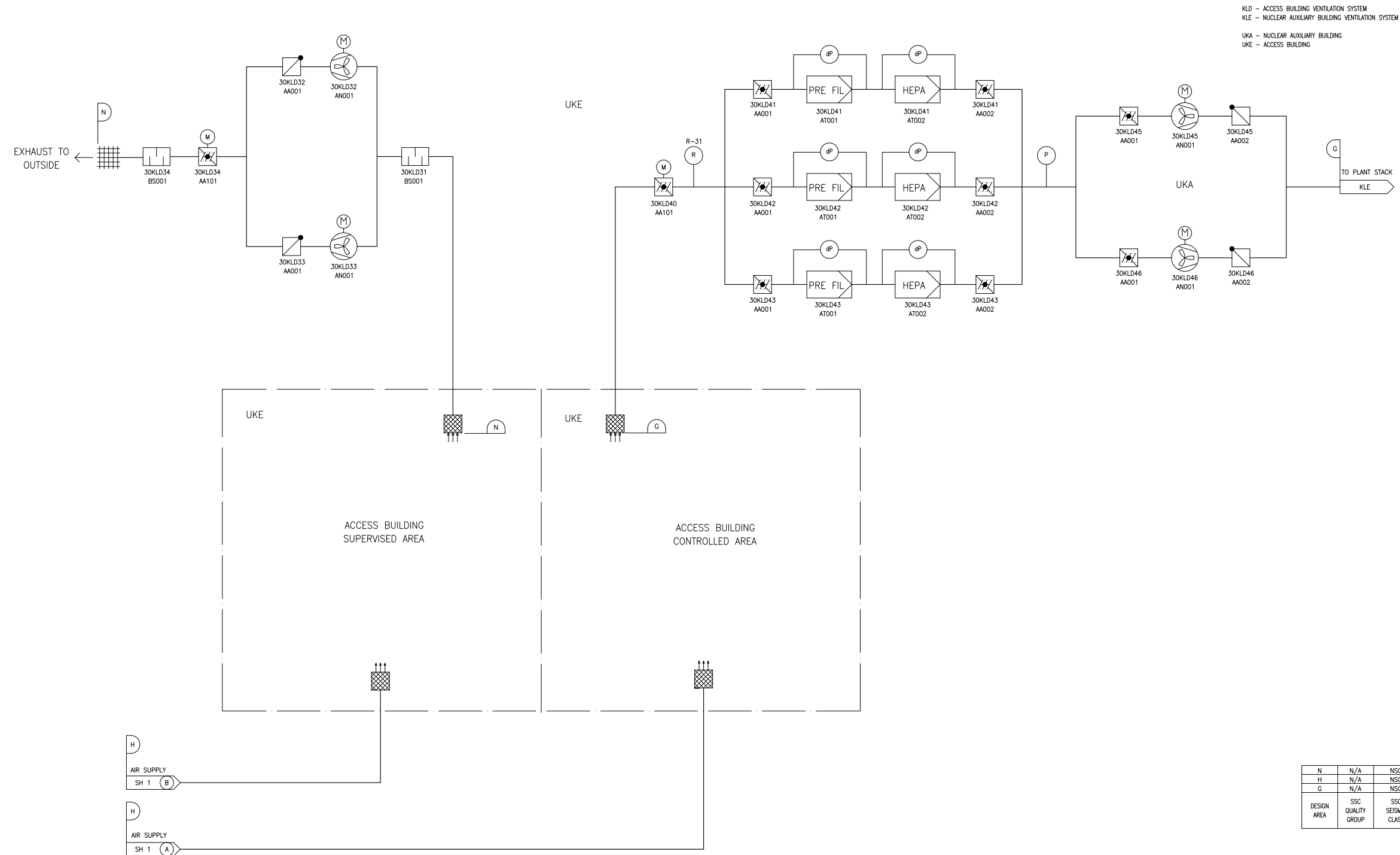


GMK - PROCESS DRAINS COLLECTION AND DISPOSAL SYSTEM  
 KLD - ACCESS BUILDING VENTILATION SYSTEM  
 QNE - OPERATIONAL CHILLED WATER SYSTEM  
 QME - AIR HUMIDIFICATION SYSTEM  
 SBE - SPACE HEATING SYSTEM  
 UAE - ACCESS BUILDING

H	N/A	NSC
E	N/A	NSC
C	E	NSC
B	E	NSC
A	N/A	NSC
DESIGN AREA	SSC QUALITY GROUP	SSC SEISMIC CLASS

REV 003  
 KLD01T2

Figure 9.4.14-2—Access Building Ventilation System – Supply and Exhaust Air Subsystem



REV 003  
KLD02T2