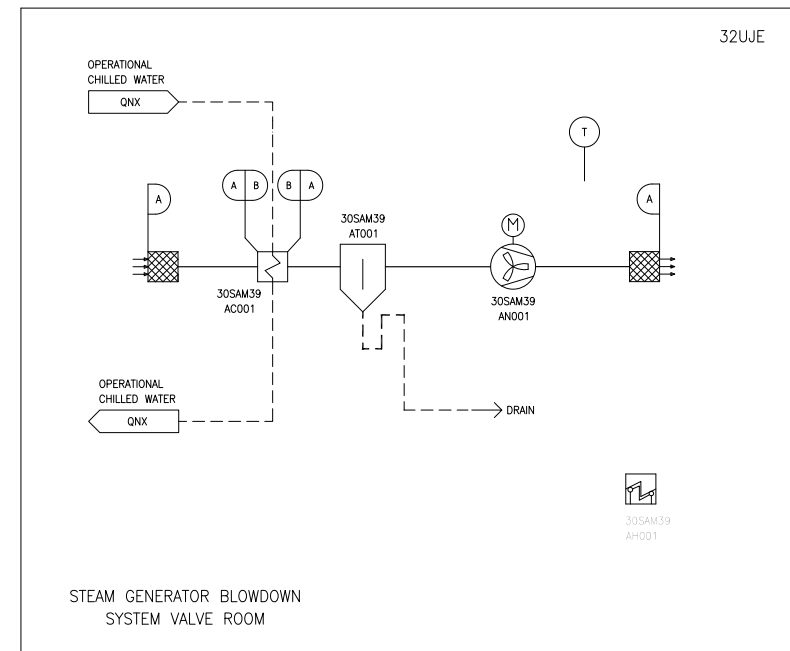
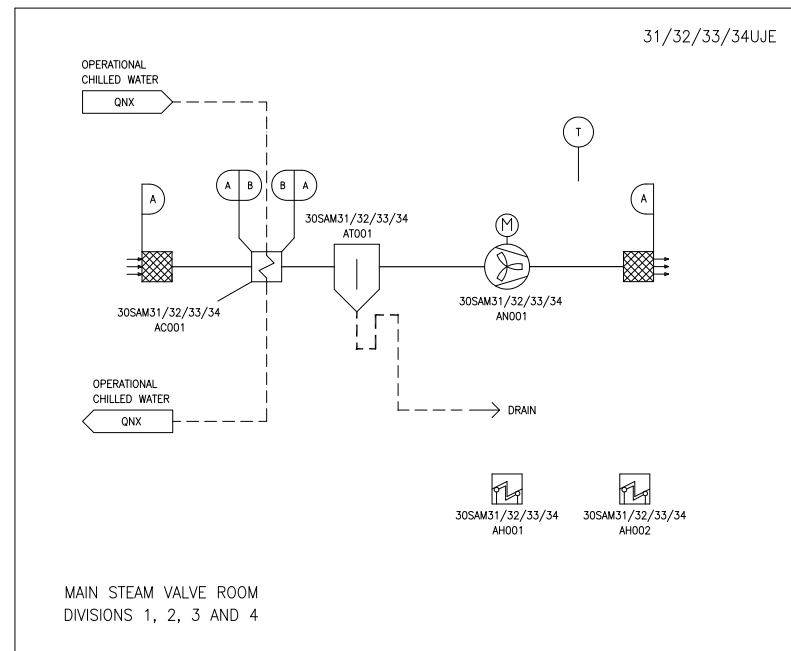
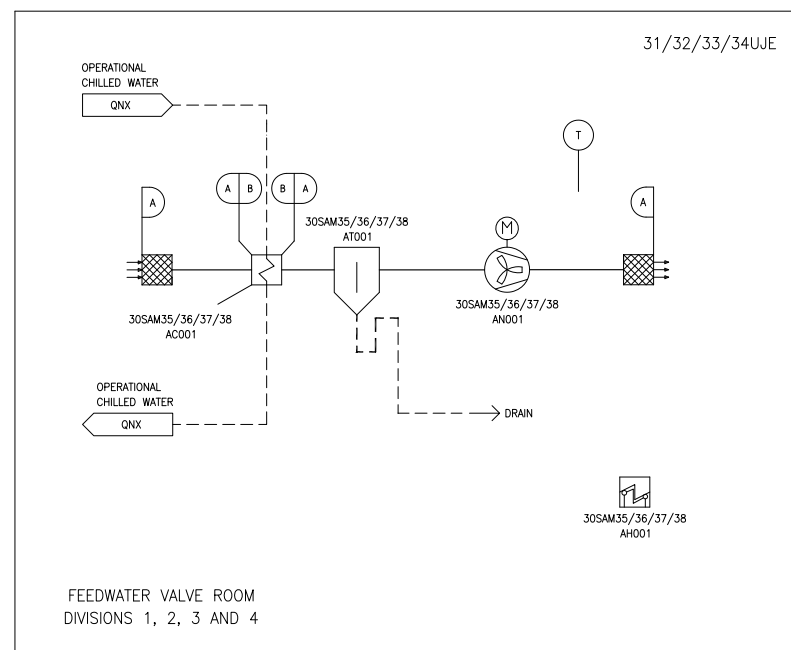


Figure 9.4.12-1—Main Steam and Feedwater Valve Room Ventilation System



KTE - NUCLEAR ISLAND DRAIN AND VENT SYSTEMS - FLOOR DRAINS 3  
 QNX - OPERATIONAL CHILLED WATER SYSTEM  
 SAM3 - MAIN STEAM AND MAIN FEEDWATER VALVE ROOM VENTILATION SYSTEM

31UJE - MAIN STEAM VALVE ROOM, DIVISION 1  
 32UJE - MAIN STEAM VALVE ROOM, DIVISION 2  
 33UJE - MAIN STEAM VALVE ROOM, DIVISION 3  
 34UJE - MAIN STEAM VALVE ROOM, DIVISION 4



B	E	NSC
A	N/A	NSC
DESIGN AREA	SSC QUALITY GROUP	SSC SEISMIC CLASS

REV 003  
 SAM301T2