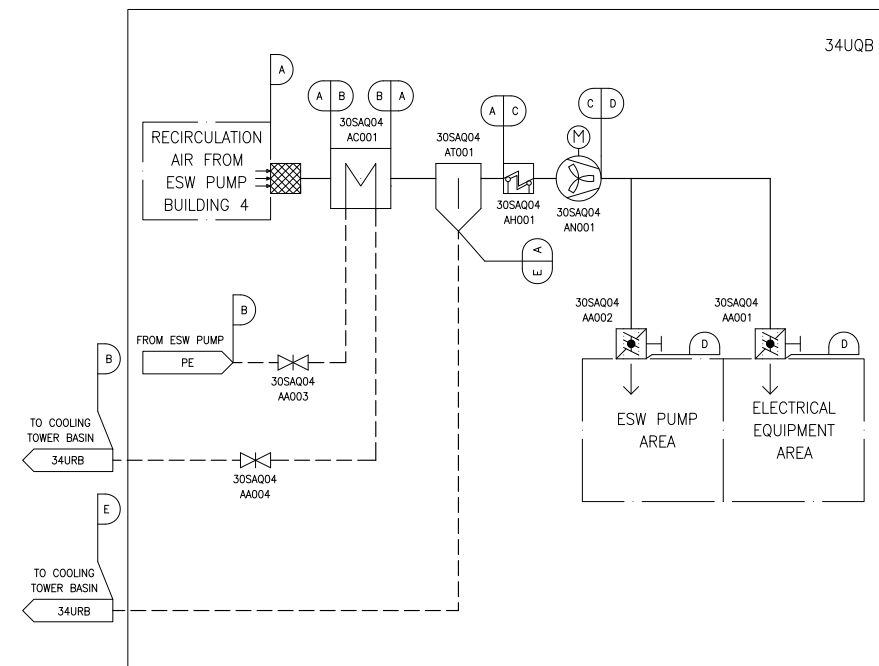
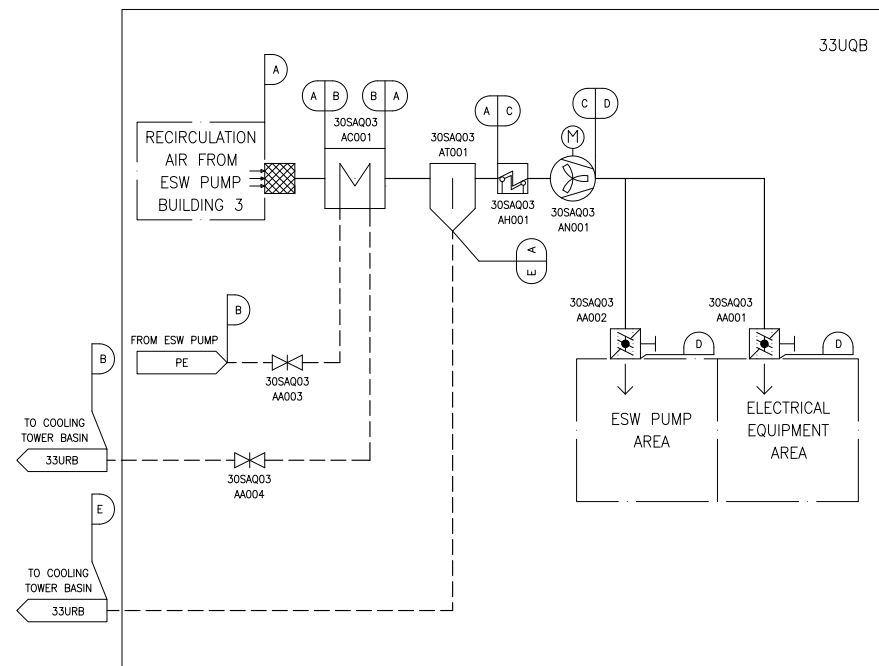
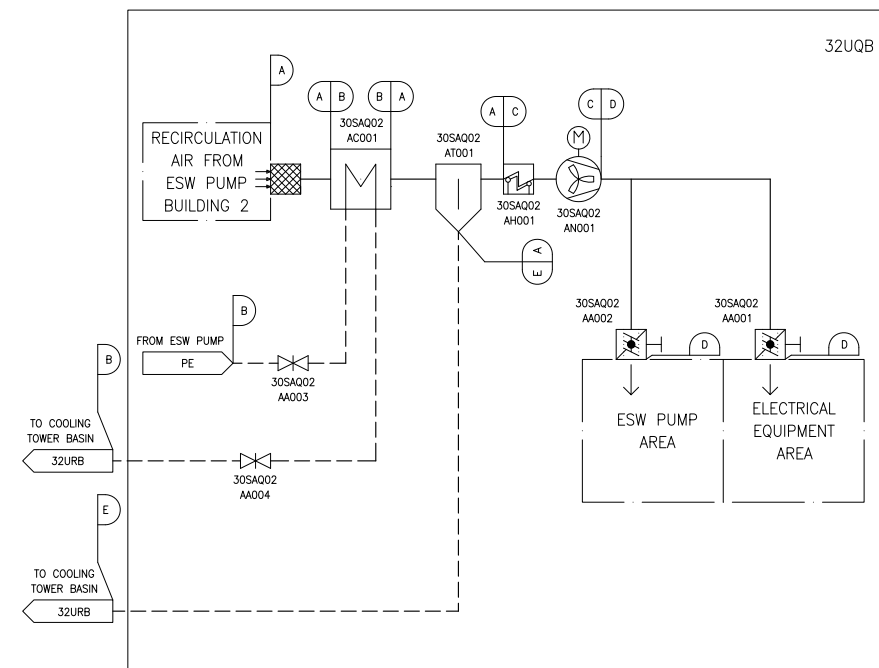
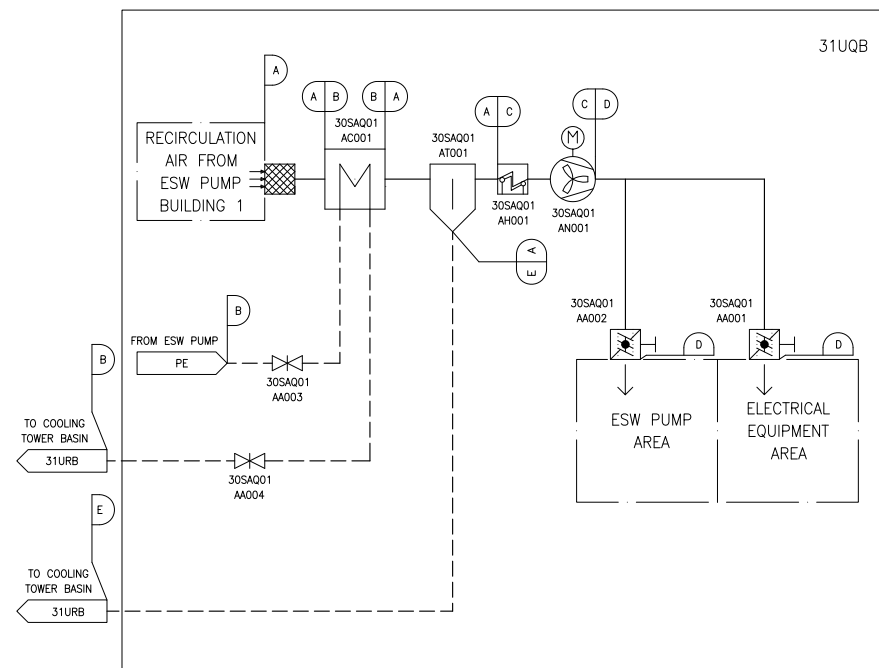


Figure 9.4.11-1—Essential Service Water Pump Building Ventilation System



- SAQ - ESSENTIAL SERVICE WATER PUMP BUILDING VENTILATION SYSTEM
- PE - ESSENTIAL SERVICE WATER SYSTEM
- 31UQB - ESSENTIAL SERVICE WATER PUMP BUILDING 1
- 32UQB - ESSENTIAL SERVICE WATER PUMP BUILDING 2
- 33UQB - ESSENTIAL SERVICE WATER PUMP BUILDING 3
- 34UQB - ESSENTIAL SERVICE WATER PUMP BUILDING 4
- 31URB - ESSENTIAL SERVICE WATER COOLING TOWER STRUCTURE BUILDING 1
- 32URB - ESSENTIAL SERVICE WATER COOLING TOWER STRUCTURE BUILDING 2
- 33URB - ESSENTIAL SERVICE WATER COOLING TOWER STRUCTURE BUILDING 3
- 34URB - ESSENTIAL SERVICE WATER COOLING TOWER STRUCTURE BUILDING 4

| | | |
|-------------|-------------------|-------------------|
| E | N/A | I |
| D | N/A | I |
| C | N/A | I |
| B | C | I |
| A | N/A | I |
| DESIGN AREA | SSC QUALITY GROUP | SSC SEISMIC CLASS |

REV 003
SAQ01T2