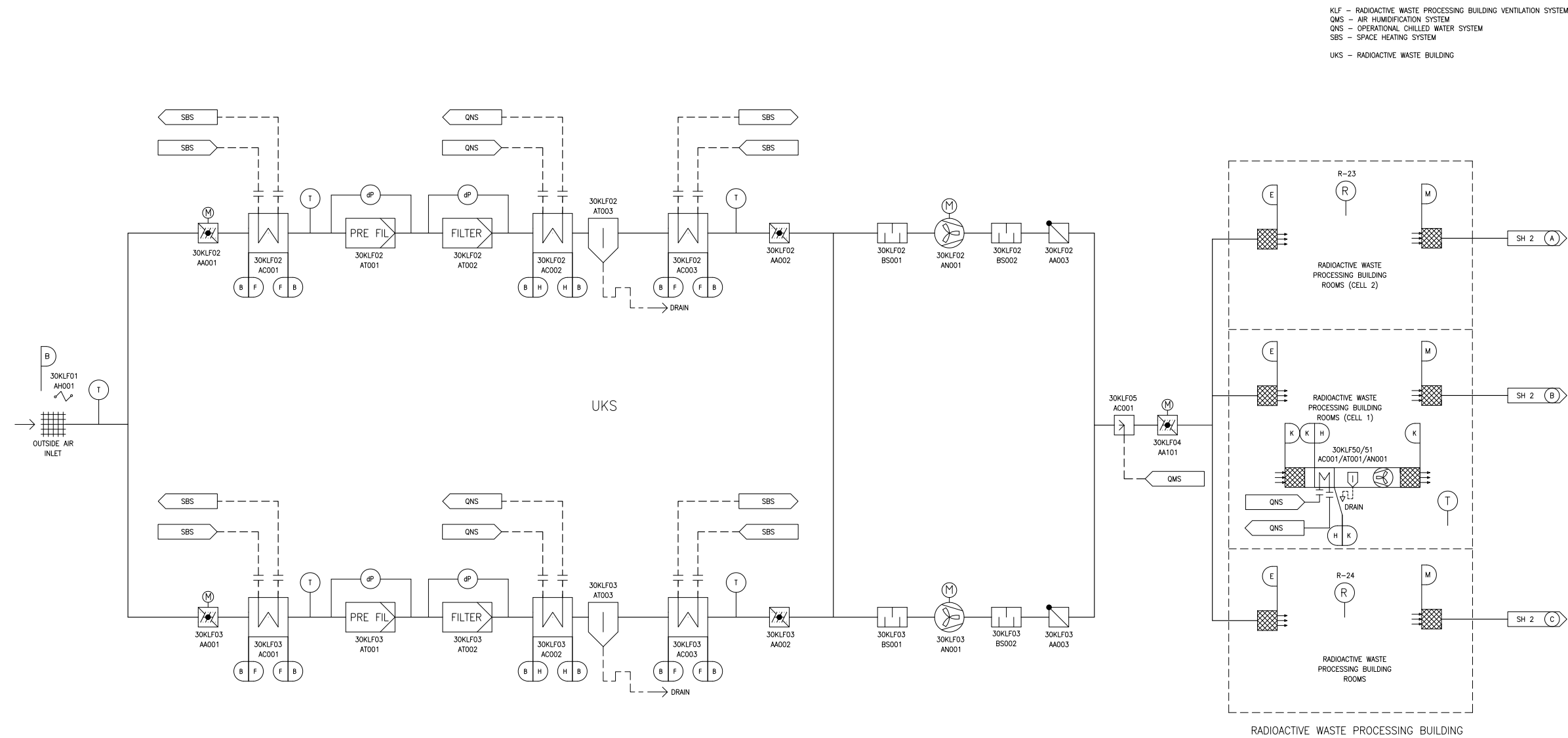


Figure 9.4.8-1—Radioactive Waste Building Ventilation System Air Supply

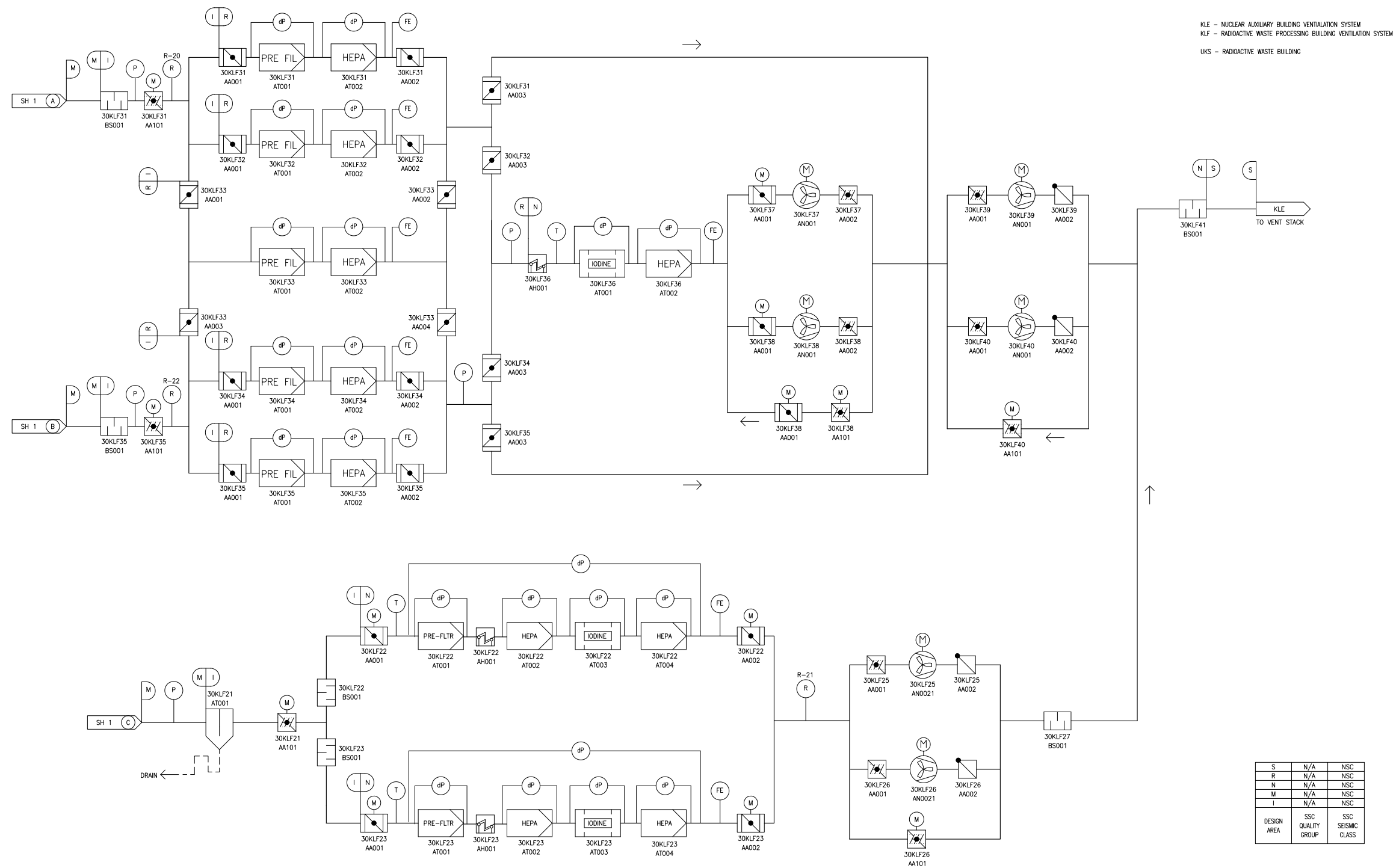


KLF - RADIOACTIVE WASTE PROCESSING BUILDING VENTILATION SYSTEM
 QNS - AIR HUMIDIFICATION SYSTEM
 QNS - OPERATIONAL CHILLED WATER SYSTEM
 SBS - SPACE HEATING SYSTEM
 UKS - RADIOACTIVE WASTE BUILDING

M	N/A	NSC
K	N/A	NSC
H	E	NSC
F	E	NSC
E	N/A	NSC
B	N/A	NSC
DESIGN AREA	SSC QUALITY GROUP	SSC SEISMIC CLASS

REV 003
 KLF01T2

Figure 9.4.8-2—Radioactive Waste Building Ventilation System Exhaust Air Station



REV 003
 KLF02T2