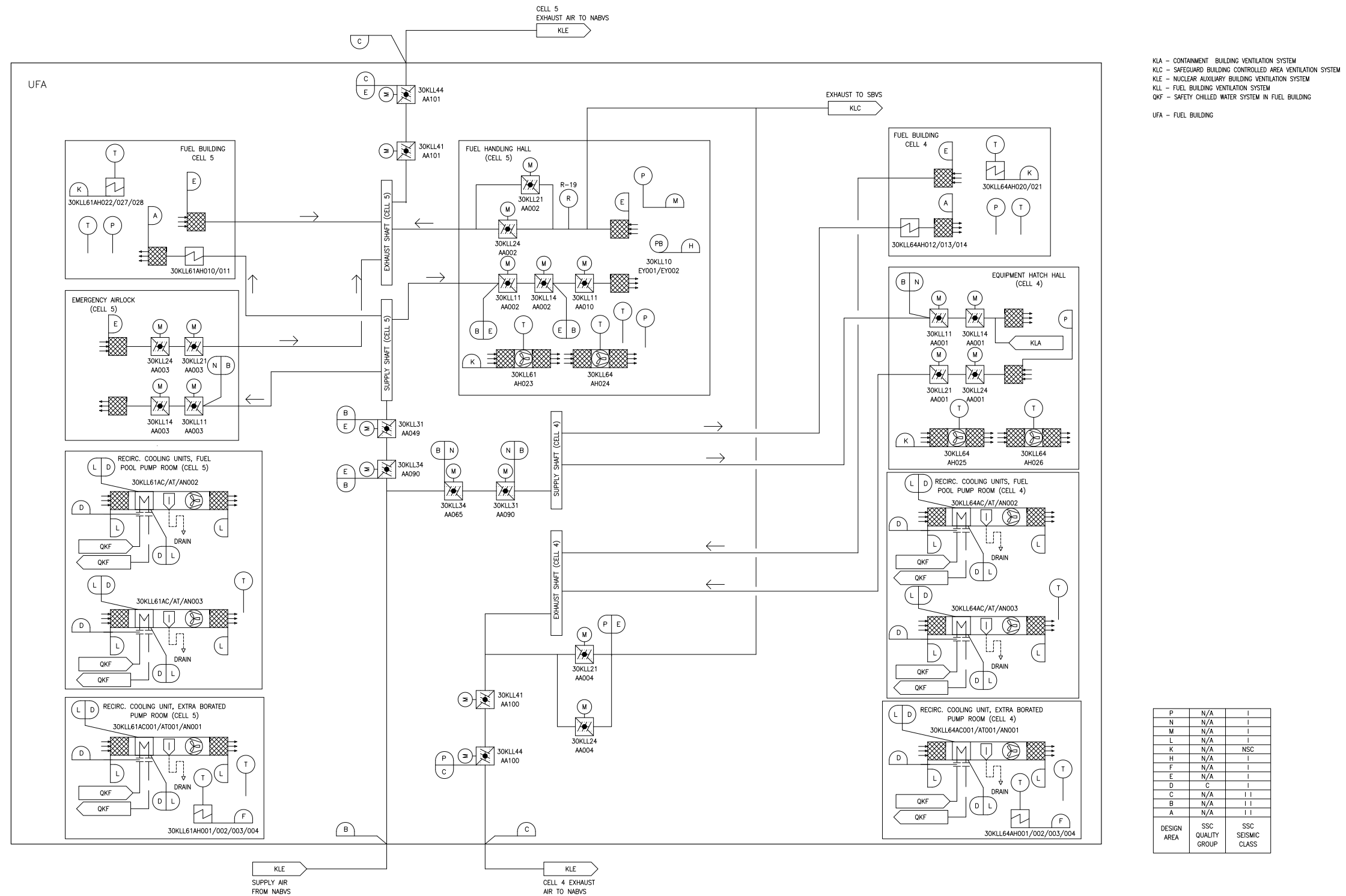


Figure 9.4.2-1—Fuel Building Ventilation System



REV 003  
KLL01T2