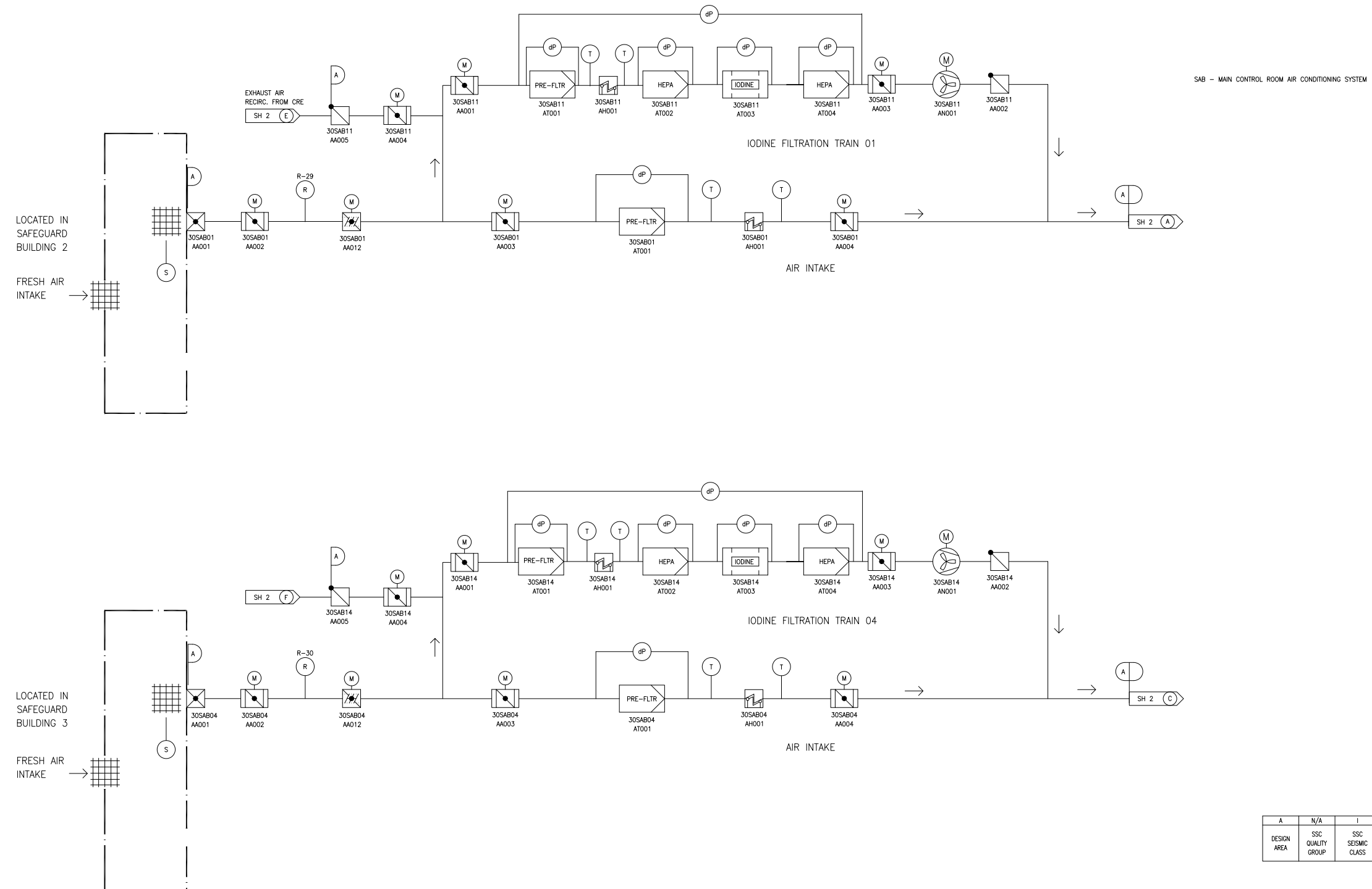


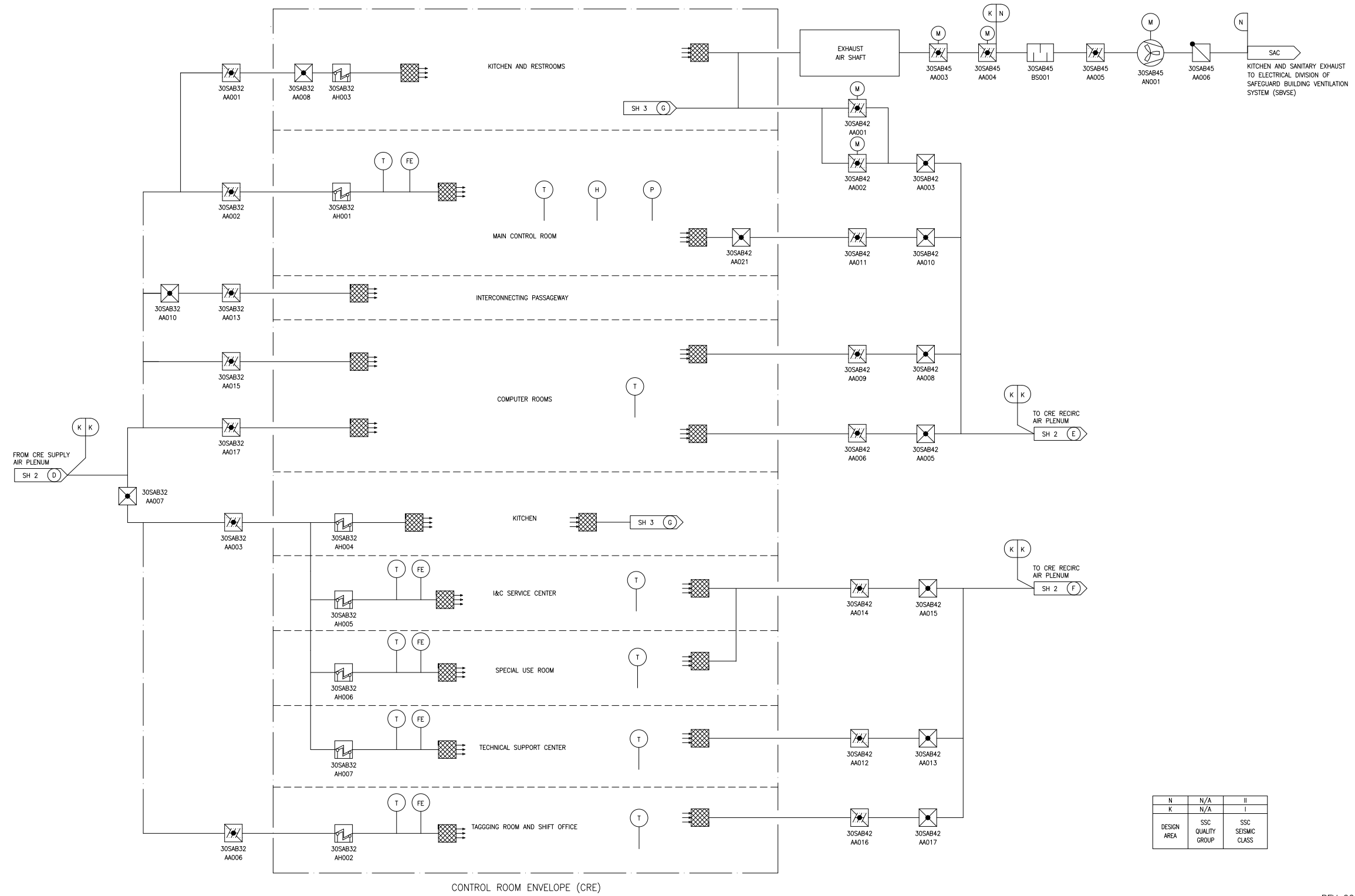
Figure 9.4.1-1—Control Room Air Intake and CREF (Iodine Filtration) Train Subsystem



A	N/A	I
DESIGN AREA	SSC QUALITY GROUP	SSC SEISMIC CLASS

REV 003
SAB01T2

Figure 9.4.1-3—Control Room Envelope Air Supply and Recirculation Subsystem



N	N/A	II
K	N/A	I
DESIGN AREA	SSC QUALITY GROUP	SSC SEISMIC CLASS

REV 003
SAB03T2