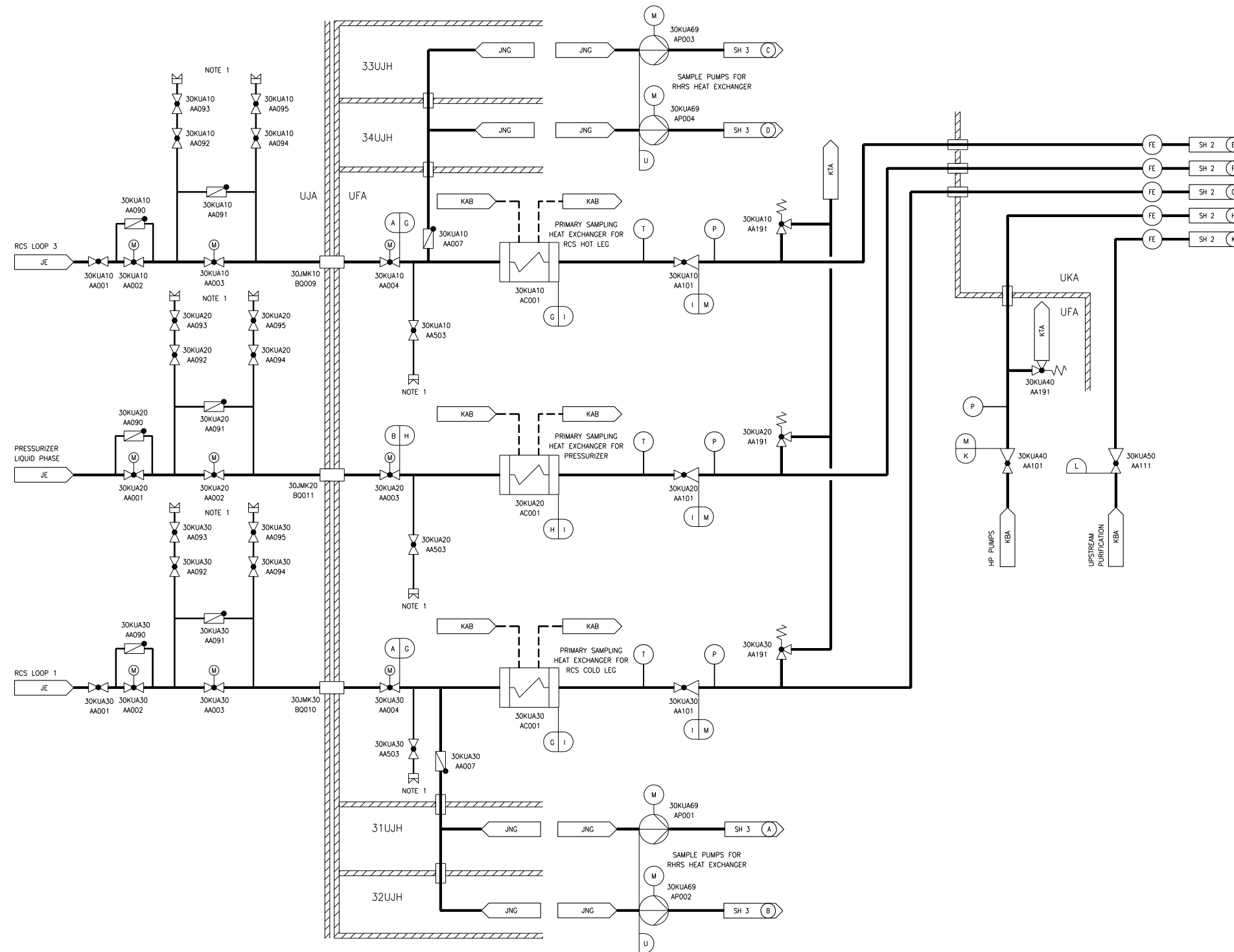


Figure 9.3.2-1—Nuclear Sampling System  
Sheet 1 of 9



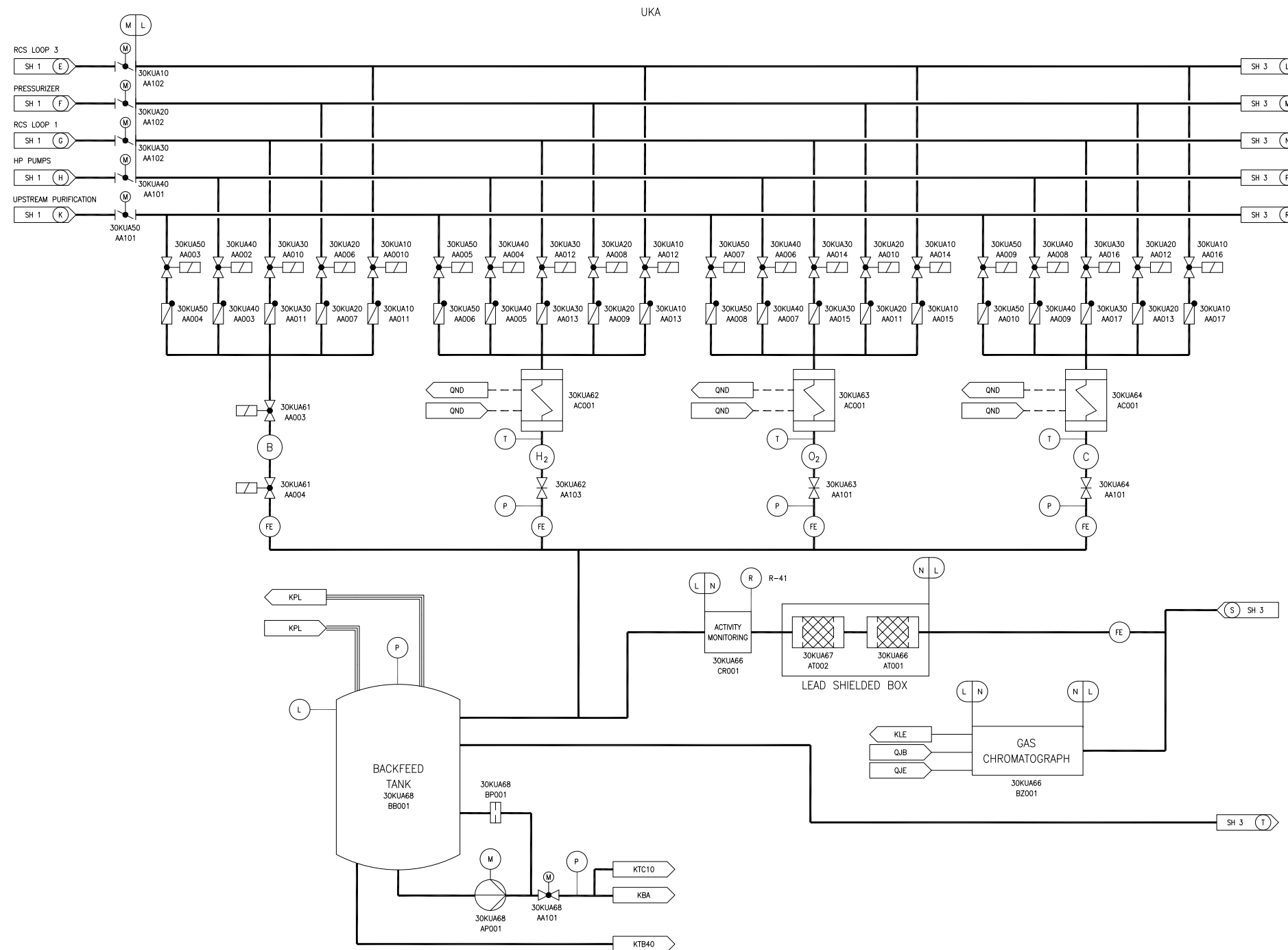
JE - REACTOR COOLANT SYSTEM  
 JNG - LOW HEAD SAFETY INJECTION SYSTEM  
 KAB - COMPONENT COOLING WATER SYSTEM COMMON HEADER  
 KBA - VOLUME CONTROL SYSTEM  
 KTA - NUCLEAR ISLAND DRAIN AND VENT SYSTEMS - PRIMARY EFFLUENTS  
 KUA - NUCLEAR SAMPLING SYSTEM - ACTIVE LIQUID SAMPLES  
 UJA - FUEL BUILDING  
 UUA - REACTOR BUILDING  
 UFA - NUCLEAR AUXILIARY BUILDING  
 UKA - SAFEGUARD BUILDING MECHANICAL, DIVISION 1  
 31UJH - SAFEGUARD BUILDING MECHANICAL, DIVISION 2  
 32UJH - SAFEGUARD BUILDING MECHANICAL, DIVISION 2  
 33UJH - SAFEGUARD BUILDING MECHANICAL, DIVISION 3  
 34UJH - SAFEGUARD BUILDING MECHANICAL, DIVISION 4

NOTE:  
1. CONNECTION FOR CONTAINMENT LEAK TIGHTNESS TEST.

U	D	1160	356	NSC
M	D	290	212	NSC
L	D	174	212	NSC
K	D	3626	212	NSC
I	D	2535	212	NSC
H	D	2535	684	NSC
G	D	2535	664	NSC
B	B	2535	684	I
A	B	2535	664	I
DESIGN AREA	SSC QUALITY GROUP	DESIGN PRESSURE PSIG	DESIGN TEMPERATURE °F	SSC SEISMIC CLASS

KUA01T2

Figure 9.3.2-1—Nuclear Sampling System  
Sheet 2 of 9

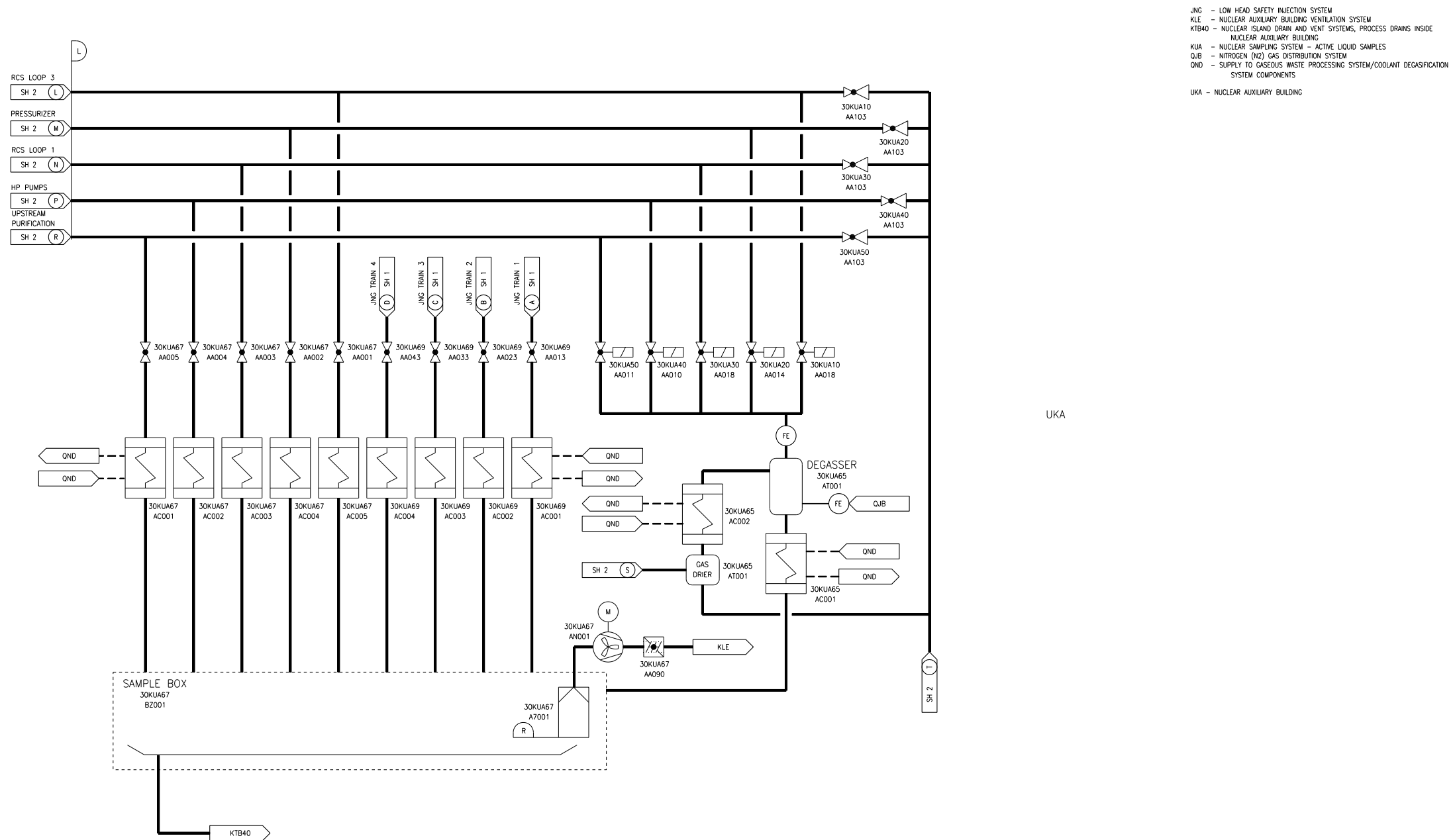


KBA - VOLUME CONTROL SYSTEM  
 KLE - NUCLEAR AUXILIARY BUILDING VENTILATION SYSTEM  
 KPL - GASEOUS WASTE PROCESSING SYSTEM  
 KTB40 - NUCLEAR ISLAND DRAIN AND VENT SYSTEMS, PROCESS DRAINS INSIDE NUCLEAR AUXILIARY BUILDING  
 KTC10 - NUCLEAR ISLAND DRAIN AND VENT SYSTEMS, FLOOR DRAINS 1 INSIDE REACTOR BUILDING  
 KUA - NUCLEAR SAMPLING SYSTEM - ACTIVE LIQUID SAMPLES  
 QJB - NITROGEN (N<sub>2</sub>) GAS DISTRIBUTION SYSTEM  
 QJE - ARGON (AR) GAS DISTRIBUTION SYSTEM  
 QND - SUPPLY TO GASEOUS WASTE PROCESSING SYSTEM/COOLANT DEGASIFICATION SYSTEM COMPONENTS  
 UKA - NUCLEAR AUXILIARY BUILDING

N	D	0	212	NSC
M	D	290	212	NSC
L	D	174	212	NSC
DESIGN AREA	SSC QUALITY GROUP	DESIGN PRESSURE PSIG	DESIGN TEMPERATURE °F	SSC SEISMIC CLASS

REV 003  
KUA02T2

Figure 9.3.2-1—Nuclear Sampling System  
Sheet 3 of 9

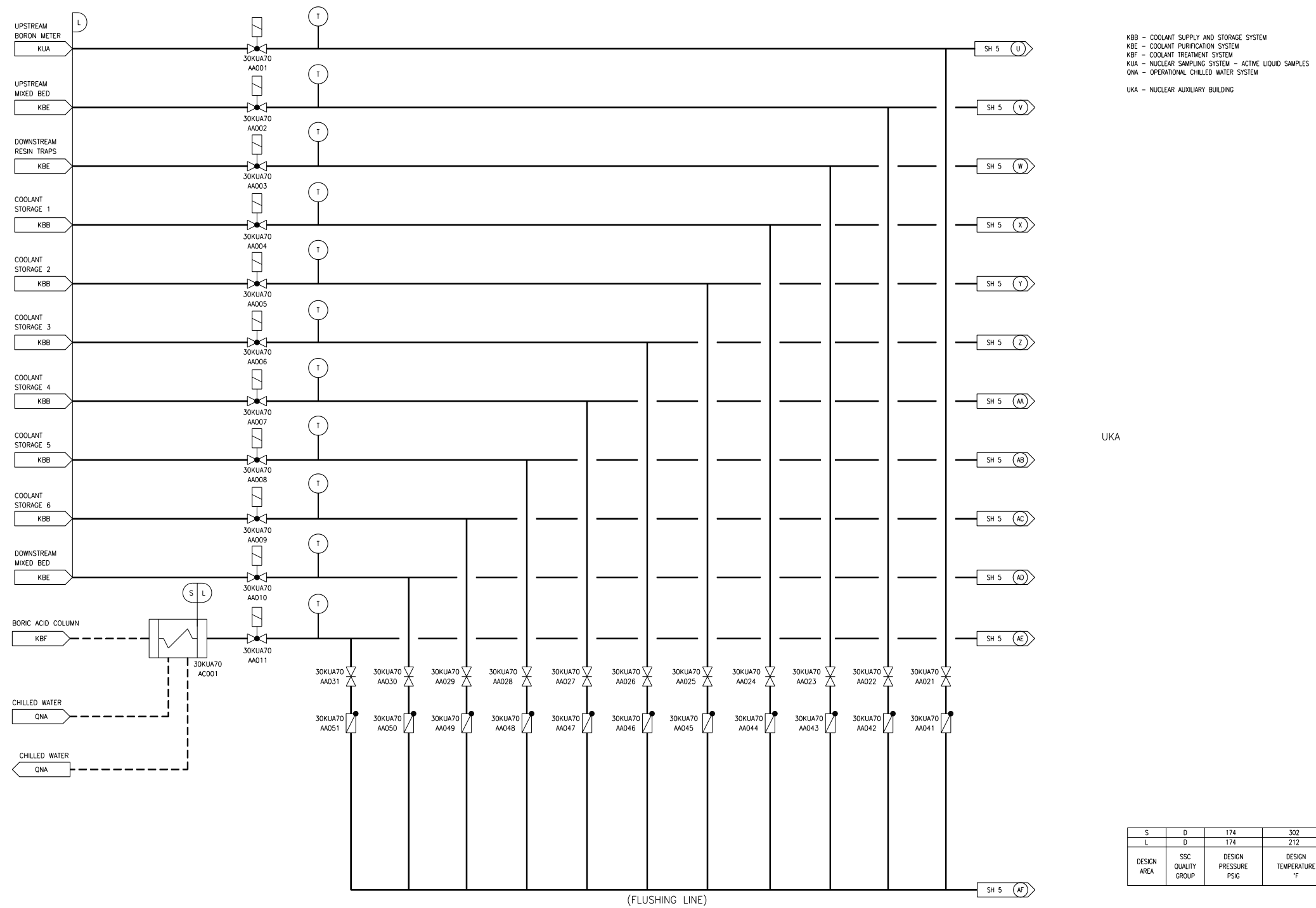


JNG - LOW HEAD SAFETY INJECTION SYSTEM  
 KLE - NUCLEAR AUXILIARY BUILDING VENTILATION SYSTEM  
 KTB40 - NUCLEAR ISLAND DRAIN AND VENT SYSTEMS, PROCESS DRAINS INSIDE  
 NUCLEAR AUXILIARY BUILDING  
 KUA - NUCLEAR SAMPLING SYSTEM - ACTIVE LIQUID SAMPLES  
 QJB - NITROGEN (N2) GAS DISTRIBUTION SYSTEM  
 QND - SUPPLY TO GASEOUS WASTE PROCESSING SYSTEM/COOLANT DEGASIFICATION SYSTEM COMPONENTS  
 UKA - NUCLEAR AUXILIARY BUILDING

R	D	15	122	NSC
L	D	174	212	NSC
DESIGN AREA	SSC QUALITY GROUP	DESIGN PRESSURE PSIG	DESIGN TEMPERATURE °F	SSC SEISMIC CLASS

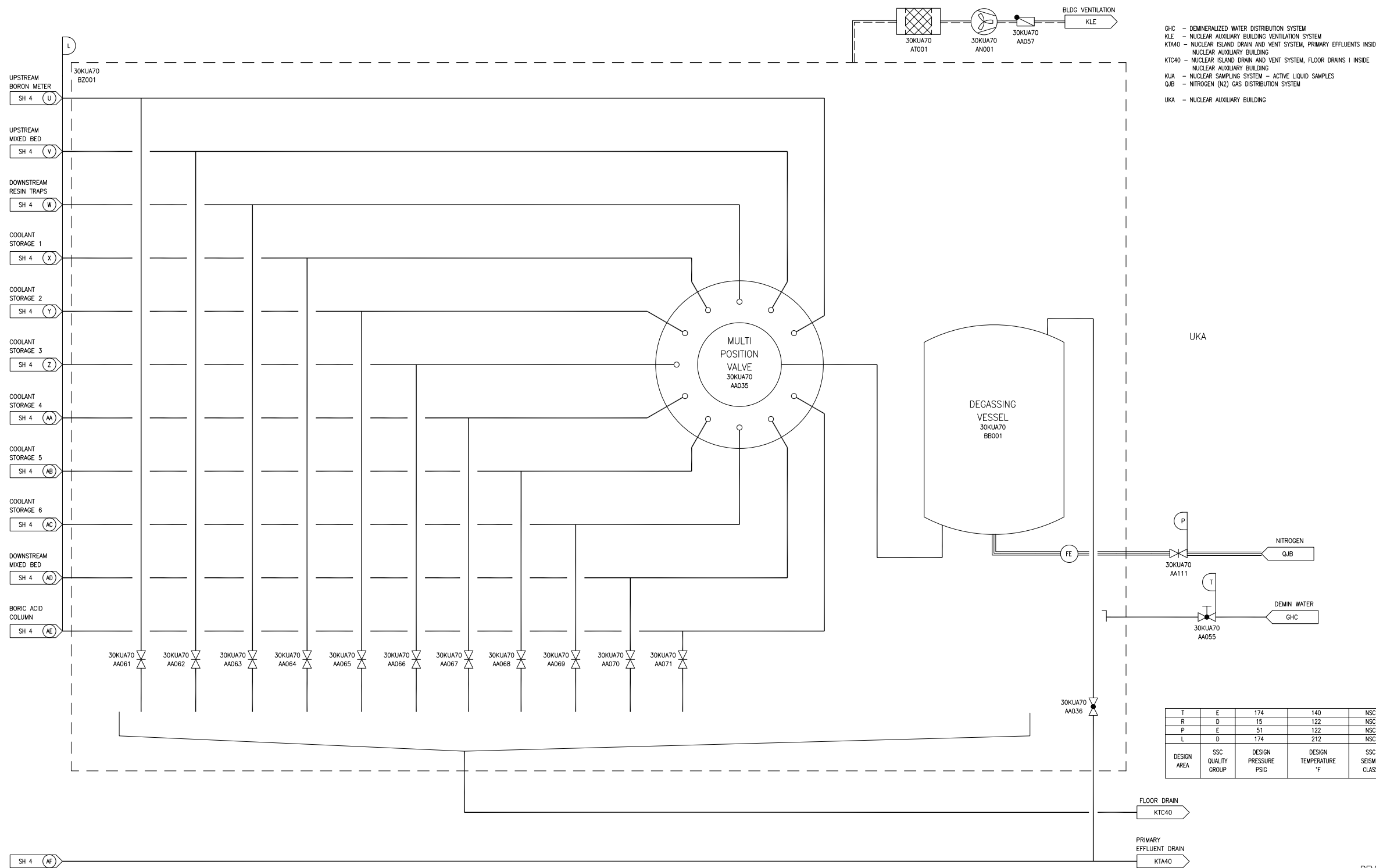
KUA03T2

Figure 9.3.2-1—Nuclear Sampling System  
Sheet 4 of 9



KUA04T2

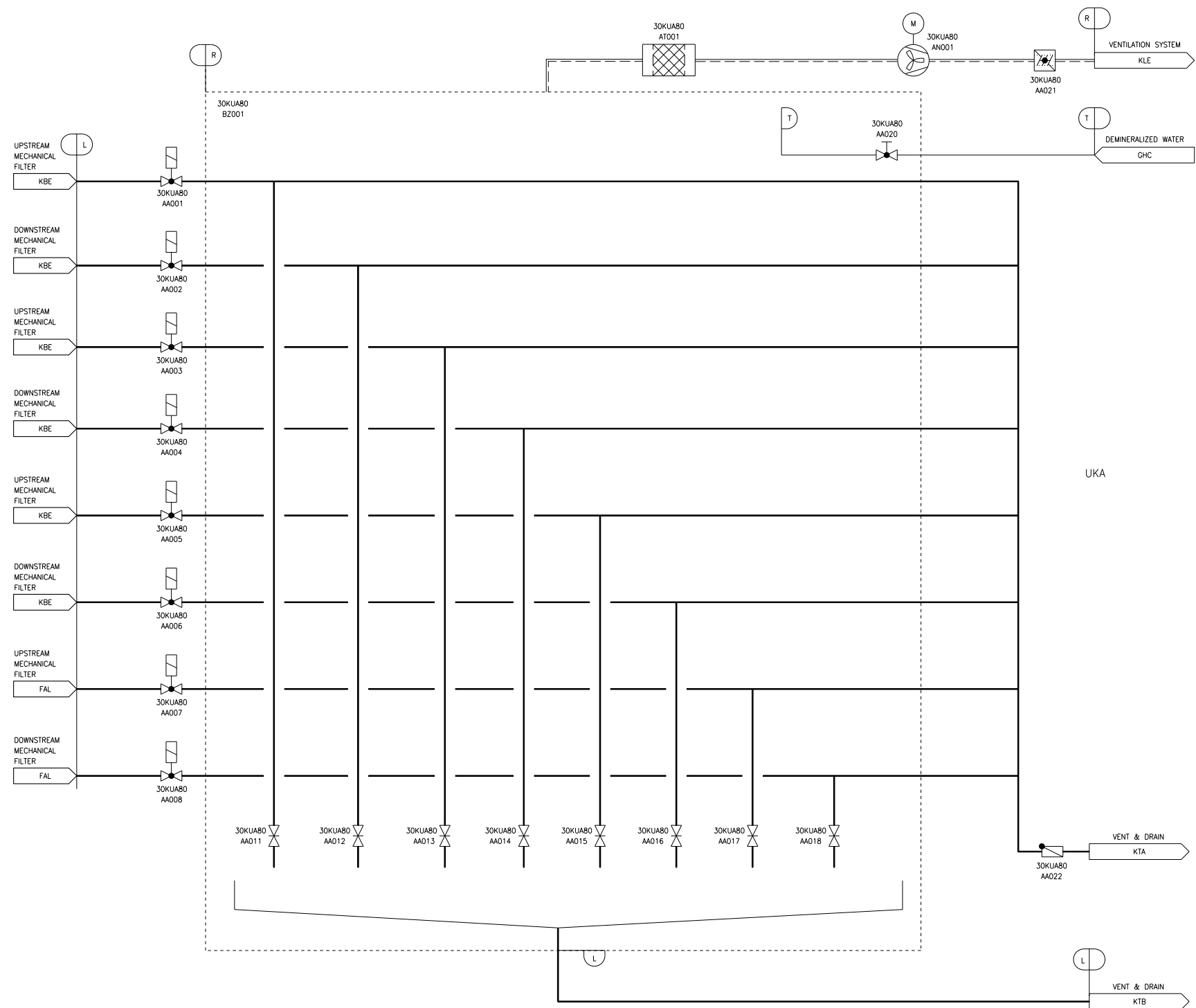
Figure 9.3.2-1—Nuclear Sampling System  
Sheet 5 of 9



- GHC - DEMINERALIZED WATER DISTRIBUTION SYSTEM
- KLE - NUCLEAR AUXILIARY BUILDING VENTILATION SYSTEM
- KTA40 - NUCLEAR ISLAND DRAIN AND VENT SYSTEM, PRIMARY EFFLUENTS INSIDE
- KTC40 - NUCLEAR ISLAND DRAIN AND VENT SYSTEM, FLOOR DRAINS I INSIDE
- KUA - NUCLEAR AUXILIARY BUILDING
- KUB - NUCLEAR AUXILIARY BUILDING
- KUA - NUCLEAR SAMPLING SYSTEM - ACTIVE LIQUID SAMPLES
- QJB - NITROGEN (N2) GAS DISTRIBUTION SYSTEM
- UKA - NUCLEAR AUXILIARY BUILDING

REV 003  
KUA05T2

Figure 9.3.2-1—Nuclear Sampling System  
Sheet 6 of 9

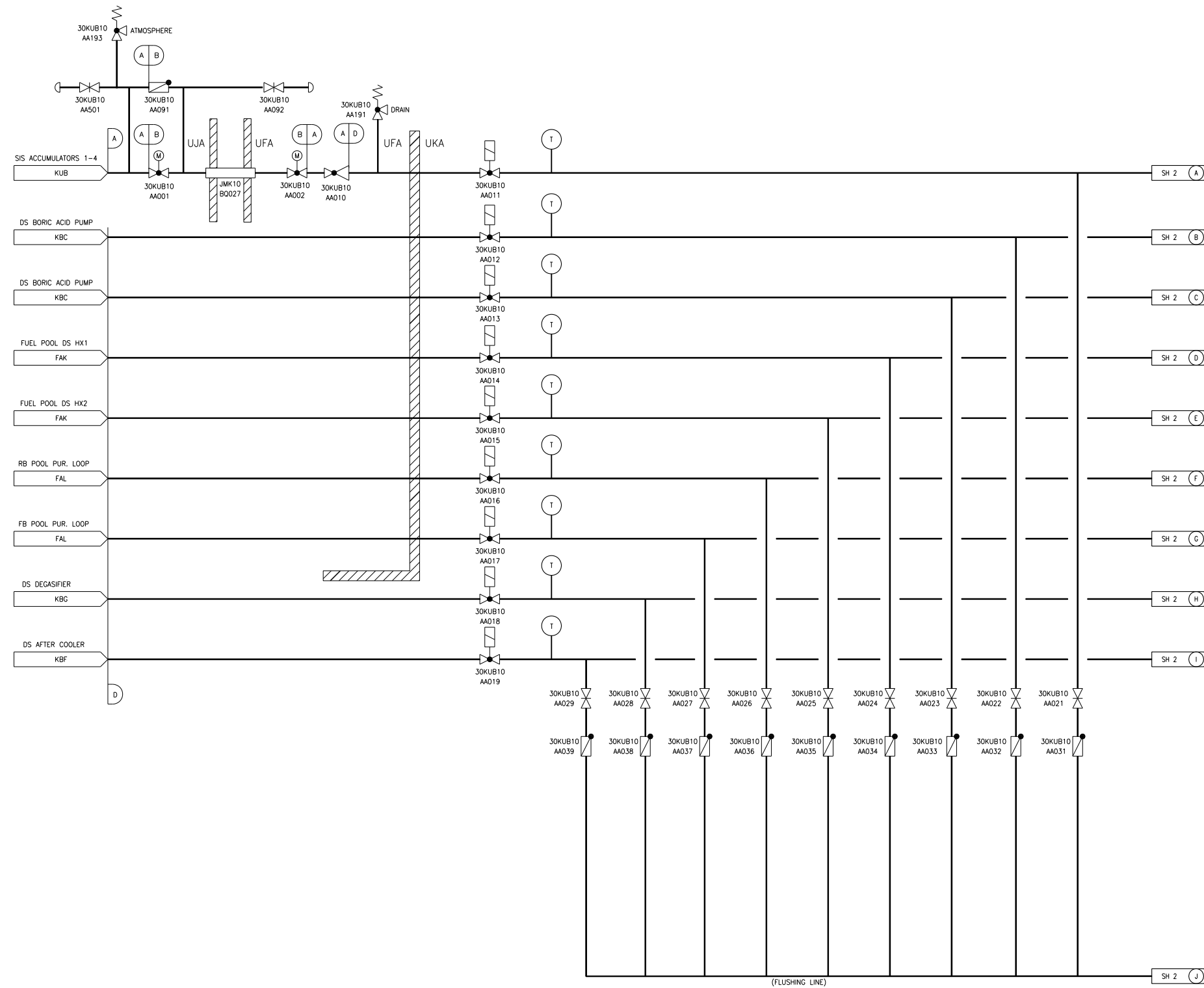


FAL - FUEL POOL PURIFICATION SYSTEM  
 GHC - DEMINERALIZED WATER DISTRIBUTION SYSTEM  
 KBE - COOLANT PURIFICATION SYSTEM  
 KLE - NUCLEAR AUXILIARY BUILDING VENTILATION SYSTEM  
 KTA - NUCLEAR ISLAND DRAIN/VENT SYSTEM - PRIMARY EFFLUENTS  
 KTB - NUCLEAR ISLAND DRAIN/VENT SYSTEM - PROCESS DRAINS  
 KUA - NUCLEAR SAMPLING SYSTEM - ACTIVE LIQUID SAMPLES  
 UKA - NUCLEAR AUXILIARY BUILDING

T	E	174	140	NSC
R	D	15	122	NSC
L	C	174	212	NSC
DESIGN AREA	SSC QUALITY GROUP	DESIGN PRESSURE PSIG	DESIGN TEMPERATURE °F	SSC SEISMIC CLASS

KUA06T2

Figure 9.3.2-1—Nuclear Sampling System  
Sheet 7 of 9

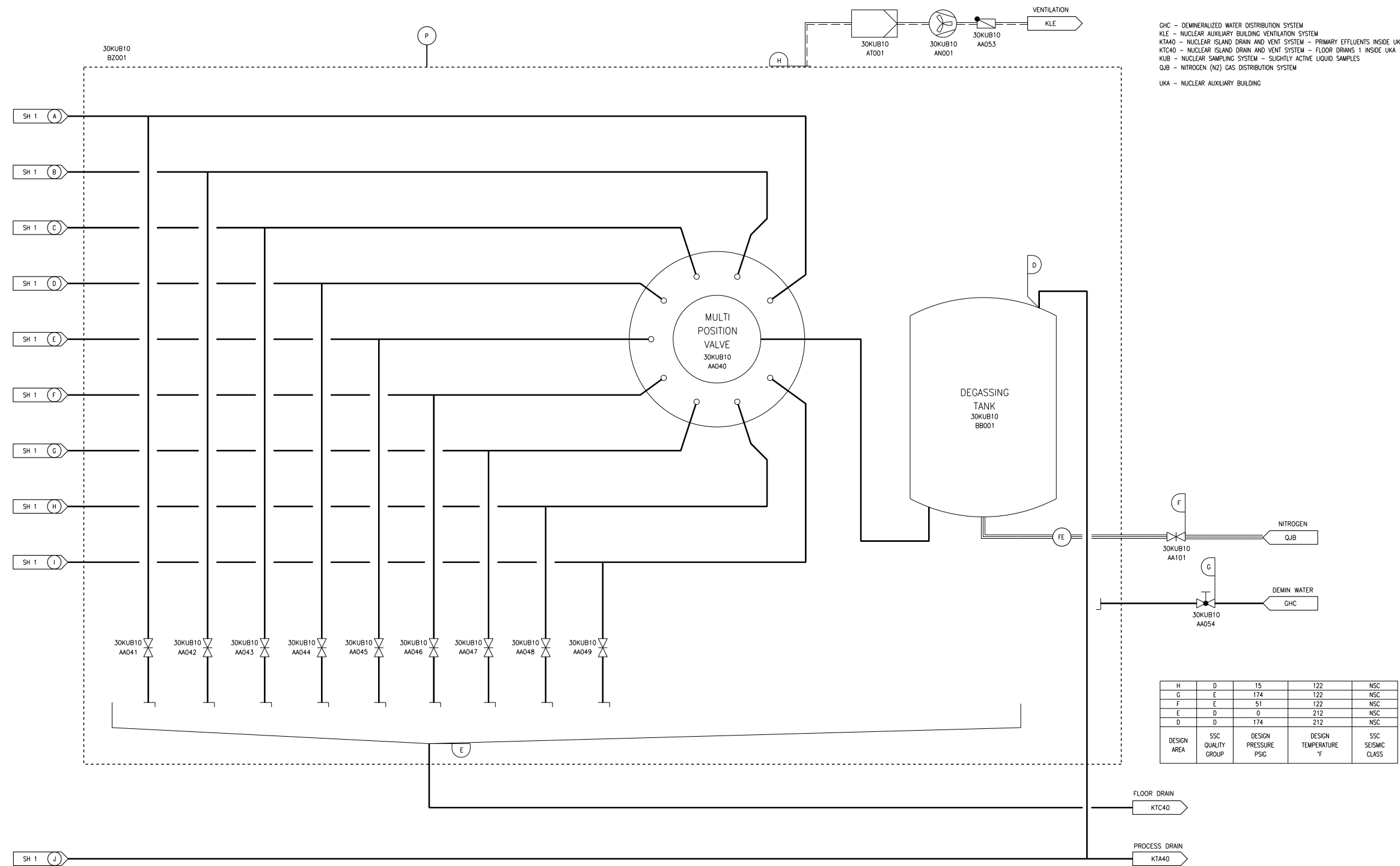


FAK - FUEL POOL COOLING SYSTEM  
 FAL - FUEL POOL PURIFICATION SYSTEM  
 KBC - REACTOR BORON AND WATER MAKEUP SYSTEM  
 KBF - COOLANT TREATMENT SYSTEM  
 KBG - COOLANT DEGASIFICATION SYSTEM  
 KUB - NUCLEAR SAMPLING SYSTEM - SLIGHTLY ACTIVE LIQUID SAMPLES  
 UFA - FUEL BUILDING  
 UJA - REACTOR BUILDING  
 UKA - NUCLEAR AUXILIARY BUILDING

D	D	174	212	NSC
B	B	798	338	I
A	B	798	140	I
DESIGN AREA	SSC QUALITY GROUP	DESIGN PRESSURE PSIG	DESIGN TEMPERATURE °F	SSC SEISMIC CLASS

KUB01T2

Figure 9.3.2-1—Nuclear Sampling System  
Sheet 8 of 9



GHC - DEMINERALIZED WATER DISTRIBUTION SYSTEM  
 KLE - NUCLEAR AUXILIARY BUILDING VENTILATION SYSTEM  
 KTA40 - NUCLEAR ISLAND DRAIN AND VENT SYSTEM - PRIMARY EFFLUENTS INSIDE UKA  
 KTC40 - NUCLEAR ISLAND DRAIN AND VENT SYSTEM - FLOOR DRAINS 1 INSIDE UKA  
 KUB - NUCLEAR SAMPLING SYSTEM - SLIGHTLY ACTIVE LIQUID SAMPLES  
 QJB - NITROGEN (N2) GAS DISTRIBUTION SYSTEM  
 UKA - NUCLEAR AUXILIARY BUILDING

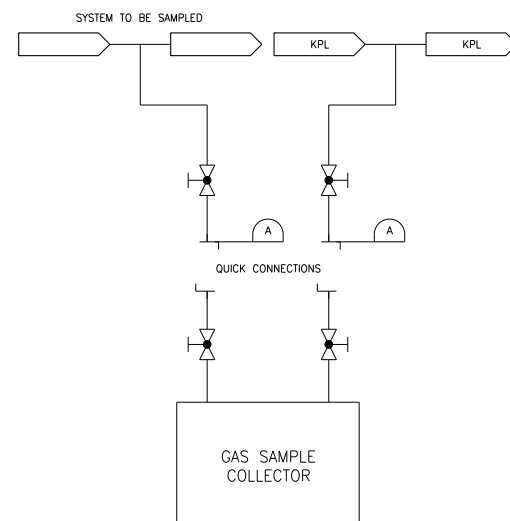
H	D	15	122	NSC
G	E	174	122	NSC
F	E	51	122	NSC
E	D	0	212	NSC
D	D	174	212	NSC
DESIGN AREA	SSC QUALITY GROUP	DESIGN PRESSURE PSIG	DESIGN TEMPERATURE °F	SSC SEISMIC CLASS

KUB02T2

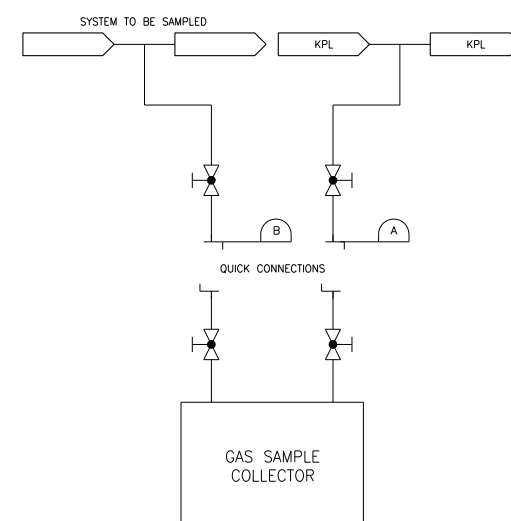


Figure 9.3.2-1—Nuclear Sampling System  
Sheet 9 of 9

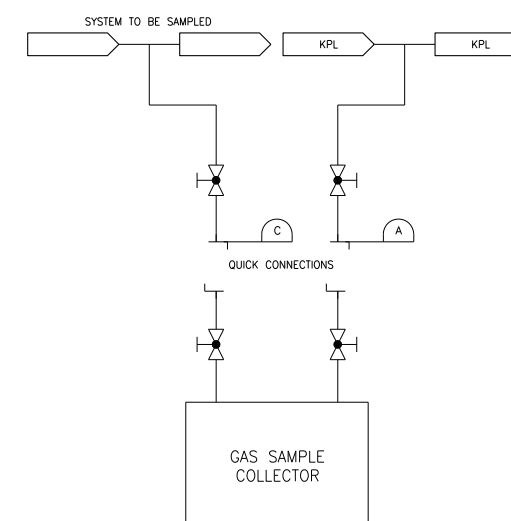
KBB - COOLANT SUPPLY AND STORAGE SYSTEM  
 KPL - GASEOUS WASTE PROCESSING SYSTEM  
 KTA20 - NUCLEAR ISLAND DRAIN/VENT SYSTEM, PRIMARY EFFLUENTS INSIDE UJH  
 KTA30 - NUCLEAR ISLAND DRAIN/VENT SYSTEM, PRIMARY EFFLUENTS INSIDE UFA  
 KTA40 - NUCLEAR ISLAND DRAIN/VENT SYSTEM, PRIMARY EFFLUENTS INSIDE UKA  
 KUF - NUCLEAR SAMPLING SYSTEM - GASEOUS SAMPLES



- REPRESENTATIVE OF SAMPLES FOR:
- UPSTREAM GAS DRYER (KPL)
  - UPSTREAM RECOMBINER (KPL)
  - DOWNSTREAM RECOMBINER (KPL)
  - KUA BACKFEED VESSEL
  - FUEL BUILDING DRAIN TANKS (KTA30 BB001/2)
  - NAB DRAIN TANKS (KTA40 BB001)
  - SB DRAIN TANKS (KTA20 BB001/2/3/4)
  - RCS SWEEPING



- REPRESENTATIVE OF SAMPLES FOR:
- KBB STORAGE TANK 6

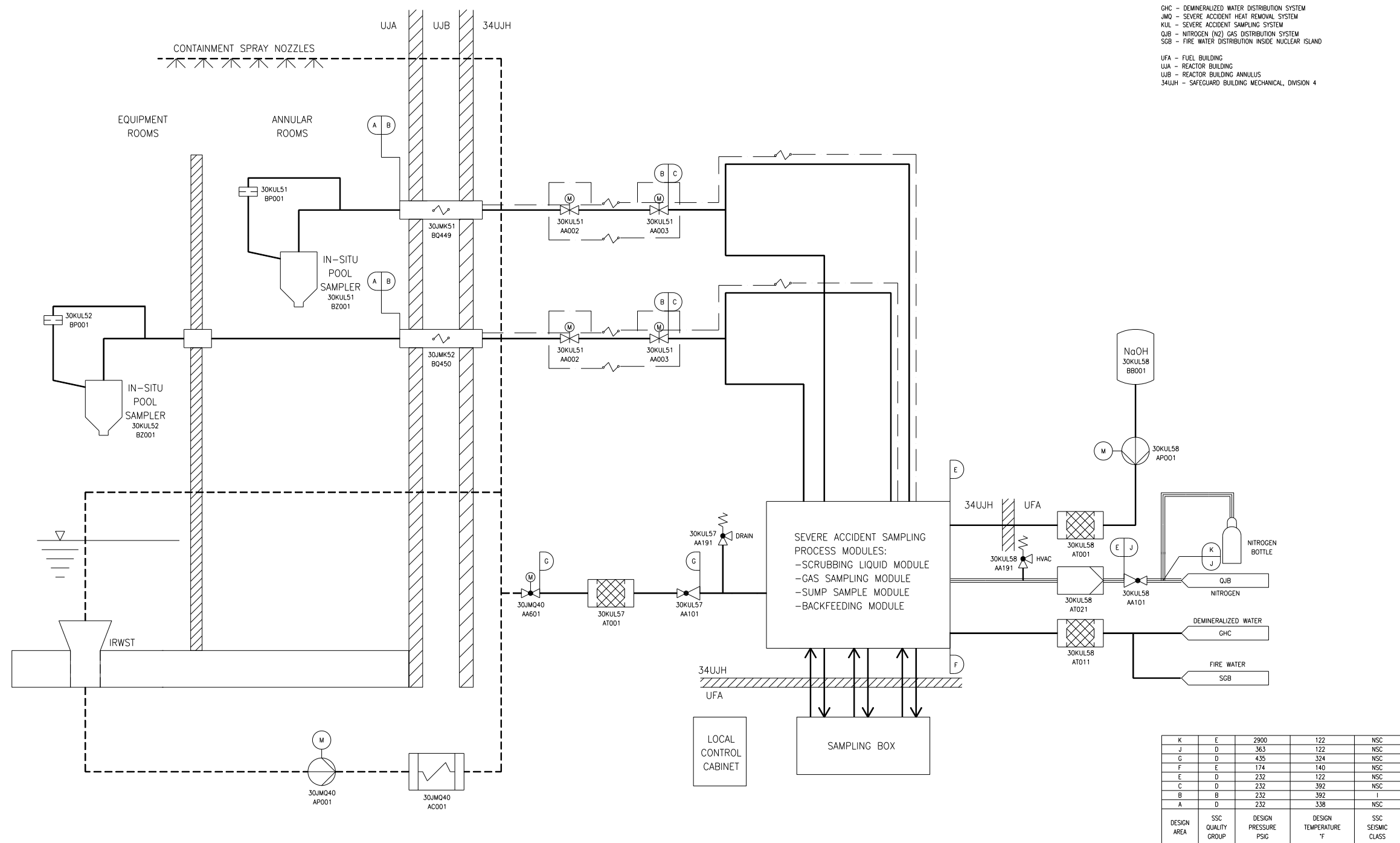


- REPRESENTATIVE OF SAMPLES FOR:
- UPSTREAM DELAY BEDS (KPL)
  - DOWNSTREAM DELAY BED 1/2 (KPL)

C	D	290	212	NSC
B	D	44	212	NSC
A	D	174	212	NSC
DESIGN AREA	SSC QUALITY GROUP	DESIGN PRESSURE PSIG	DESIGN TEMPERATURE °F	SSC SEISMIC CLASS

KUF01T2

Figure 9.3.2-2—Severe Accident Sampling System



KULO1T2