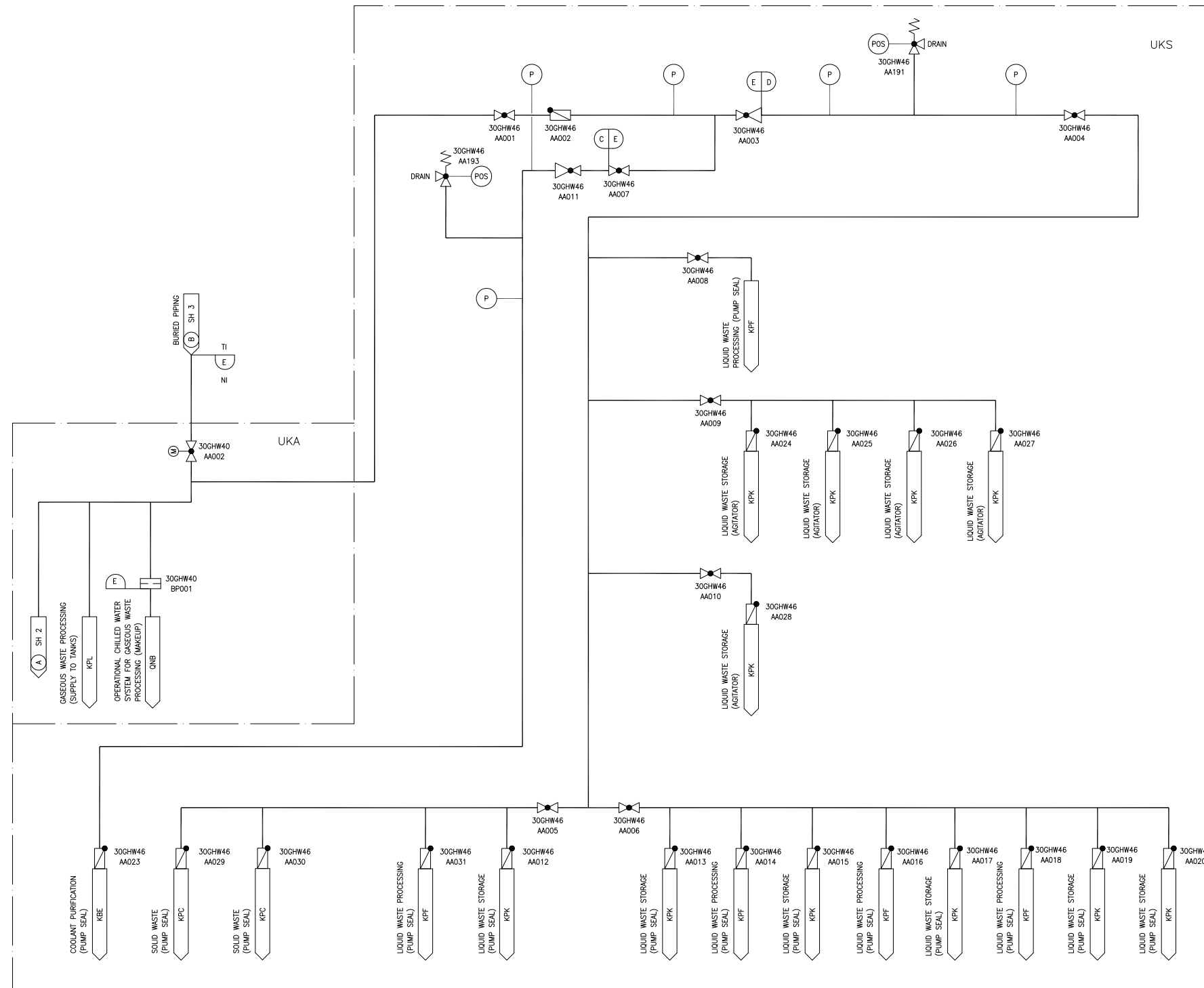


Figure 9.2.7-1—Seal Water Supply System  
Sheet 1 of 3

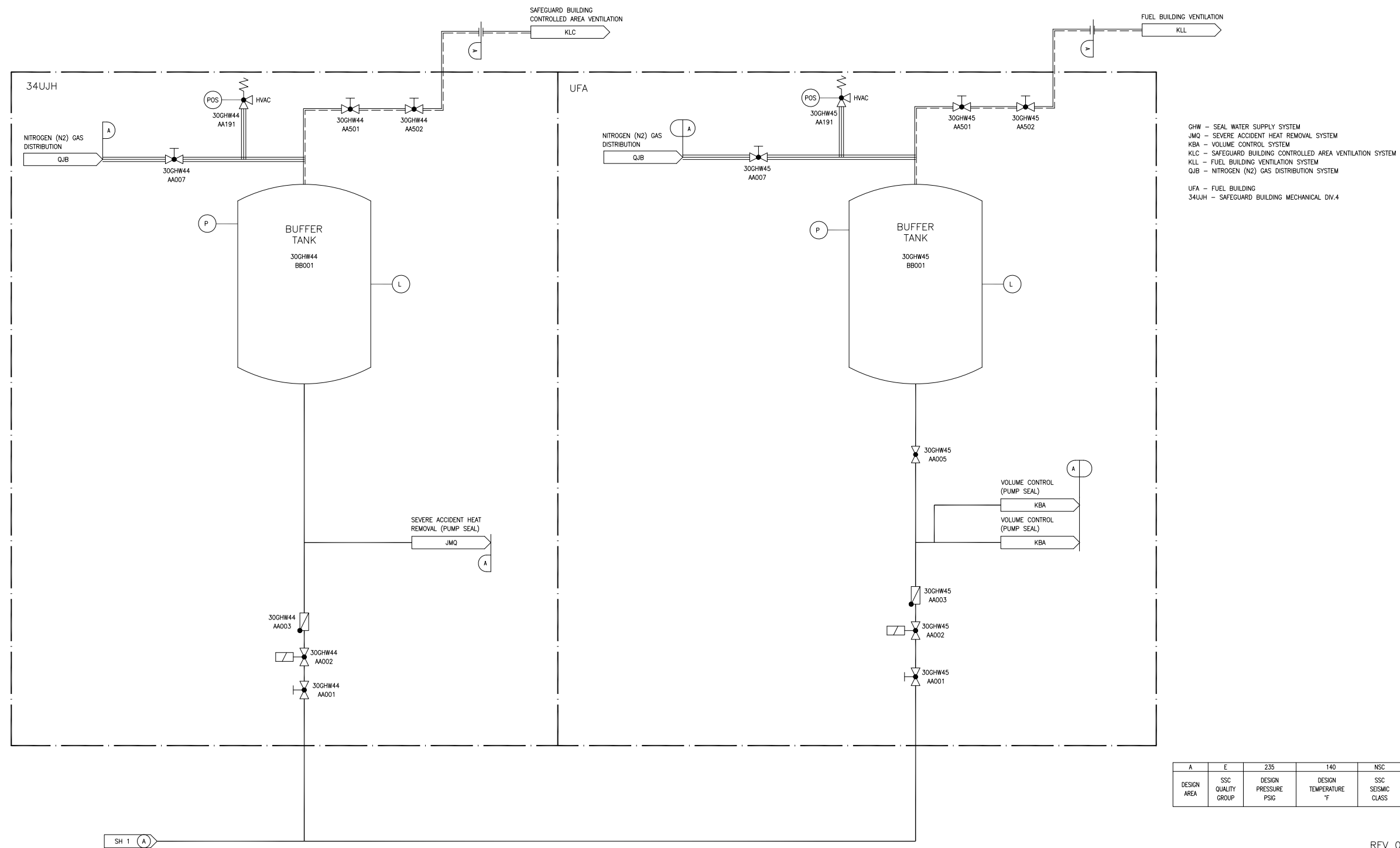


GHW - SEAL WATER SUPPLY SYSTEM  
 KBE - COOLANT PURIFICATION SYSTEM  
 KPC - SOLID WASTE SYSTEM  
 KPL - GASEOUS WASTE PROCESSING SYSTEM  
 KPF - LIQUID WASTE PROCESSING SYSTEM  
 KPK - LIQUID WASTE STORAGE SYSTEM  
 QNB - OPERATIONAL CHILLED WATER SYSTEM FOR GASEOUS WASTE PROCESSING SYSTEM  
  
 UKA - NUCLEAR AUXILIARY BUILDING  
 UKS - RADIOACTIVE WASTE PROCESSING BUILDING

E	E	235	140	NSC
D	E	235	140	NSC
C	E	235	140	NSC
DESIGN AREA	SSC QUALITY GROUP	DESIGN PRESSURE PSIG	DESIGN TEMPERATURE °F	SSC SEISMIC CLASS

REV 002  
GHW01T2

Figure 9.2.7-1—Seal Water Supply System  
Sheet 2 of 3

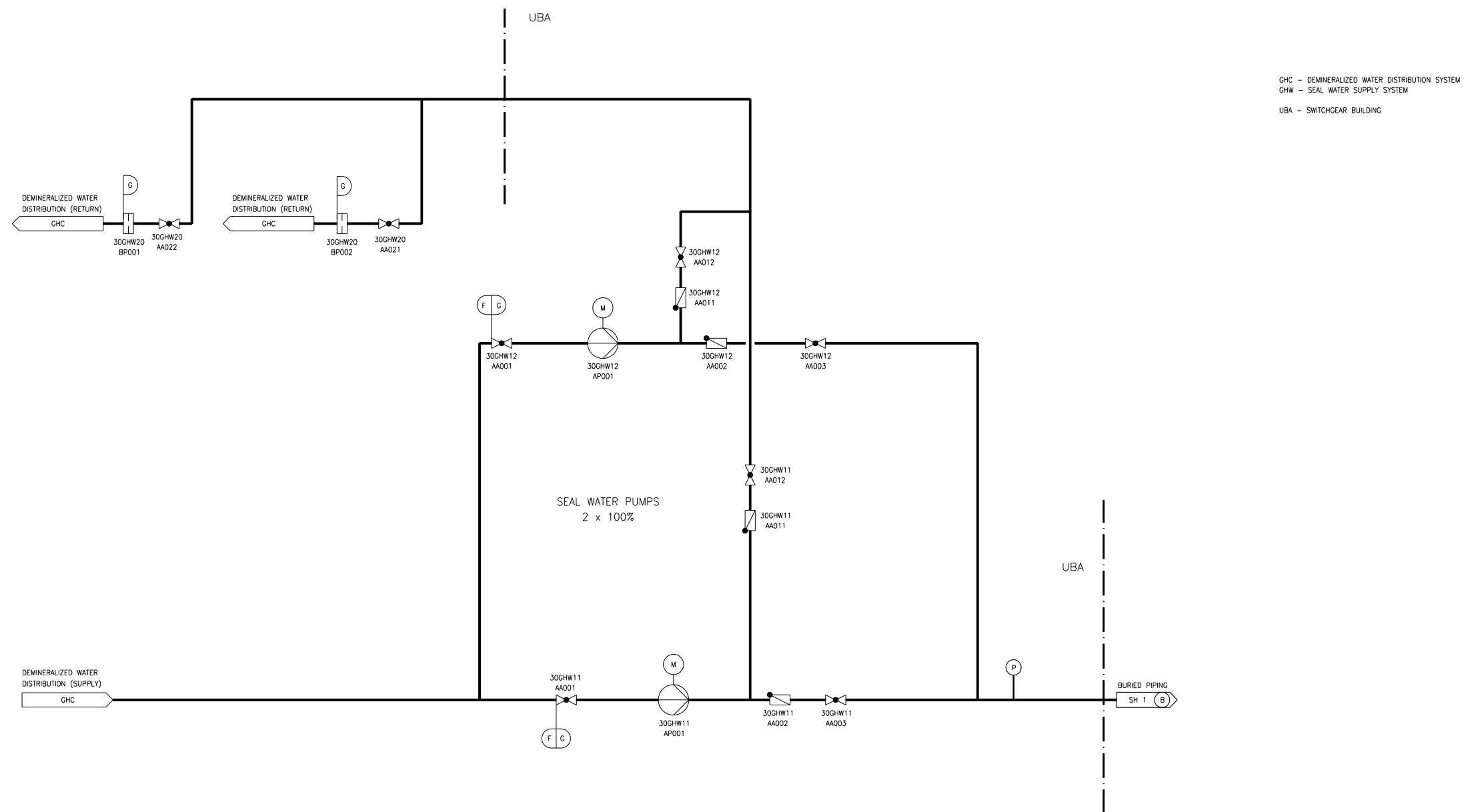


GHW - SEAL WATER SUPPLY SYSTEM  
 JMQ - SEVERE ACCIDENT HEAT REMOVAL SYSTEM  
 KBA - VOLUME CONTROL SYSTEM  
 KLC - SAFEGUARD BUILDING CONTROLLED AREA VENTILATION SYSTEM  
 KLL - FUEL BUILDING VENTILATION SYSTEM  
 QJB - NITROGEN (N2) GAS DISTRIBUTION SYSTEM  
 UFA - FUEL BUILDING  
 34UJH - SAFEGUARD BUILDING MECHANICAL DIV.4

A	E	235	140	NSC
DESIGN AREA	SSC QUALITY GROUP	DESIGN PRESSURE PSIG	DESIGN TEMPERATURE °F	SSC SEISMIC CLASS

REV 002  
GHW02T2

Figure 9.2.7-1—Seal Water Supply System  
Sheet 3 of 3



GHC - DEMINERALIZED WATER DISTRIBUTION SYSTEM  
 GHW - SEAL WATER SUPPLY SYSTEM  
 UBA - SWITCHGEAR BUILDING

G	E	235	140	NSC
F	E	235	140	NSC
DESIGN AREA	SSC QUALITY GROUP	DESIGN PRESSURE PSIG	DESIGN TEMPERATURE °F	SSC SEISMIC CLASS

GHWO3T2