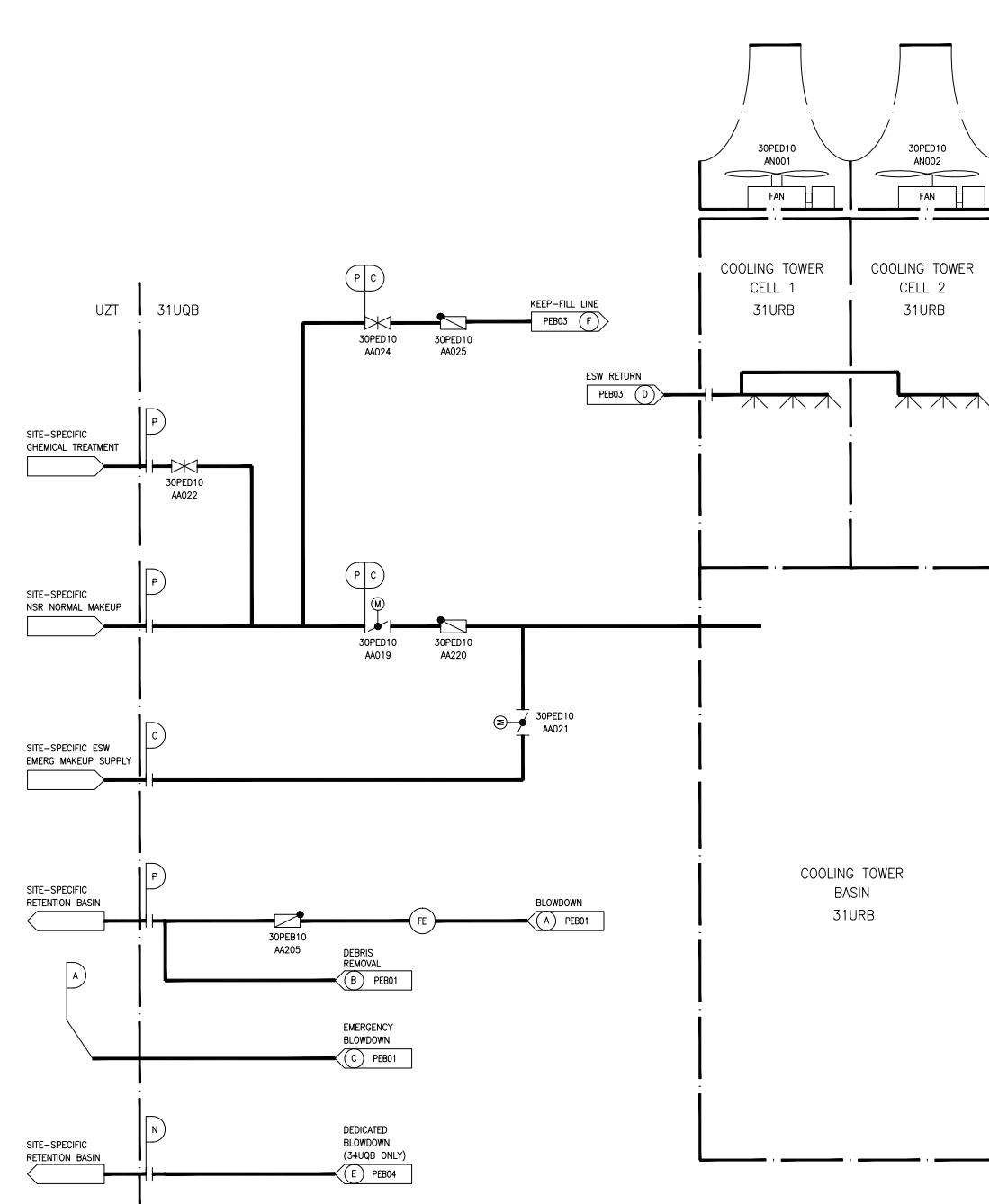


Figure 9.2.5-1—Ultimate Heat Sink Piping and Instrumentation Diagram



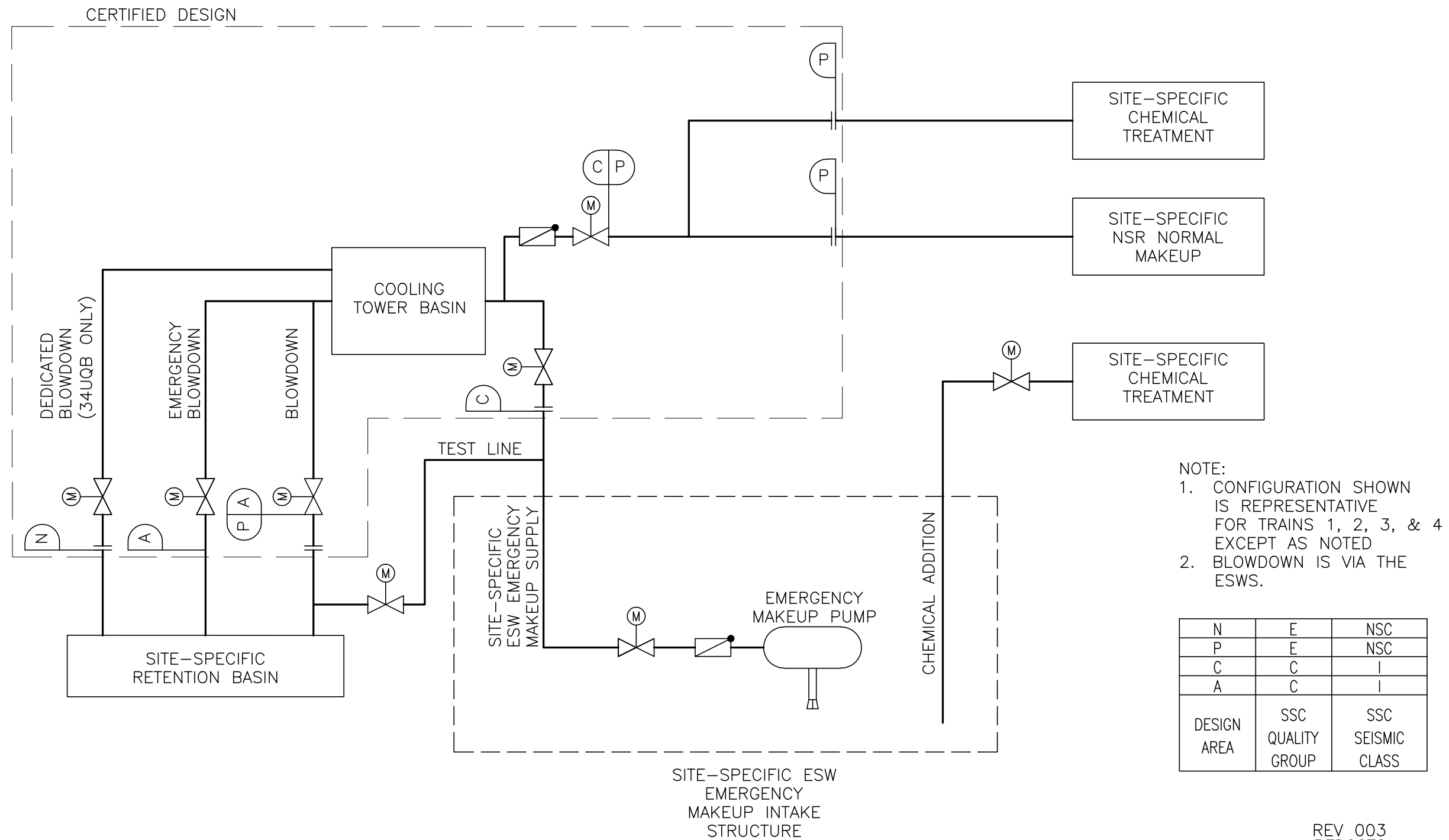
PEB – ESSENTIAL SERVICE WATER PIPING SYSTEM  
 PED – ESSENTIAL SERVICE WATER RECIRCULATION COOLING SYSTEM  
 31UQB – ESSENTIAL SERVICE WATER PUMP BUILDING, DIVISION 1  
 31URB – ESSENTIAL SERVICE WATER COOLING TOWER STRUCTURE, DIVISION 1  
 UZT – OUTDOOR AREA

NOTE:  
 1. TRAIN 1 SHOWN IS REPRESENTATIVE OF TRAINS 2, 3 AND 4, WITH EXCEPTIONS AS NOTED.  
 2. UHS BASIN WATER LEVEL AND TEMPERATURE SENSORS ARE SHOWN ON FIGURE 09.02.01-1.

A	C	I
N	E	NSC
P	E	NSC
C	C	I
DESIGN AREA	SSC QUALITY GROUP	SSC SEISMIC CLASS

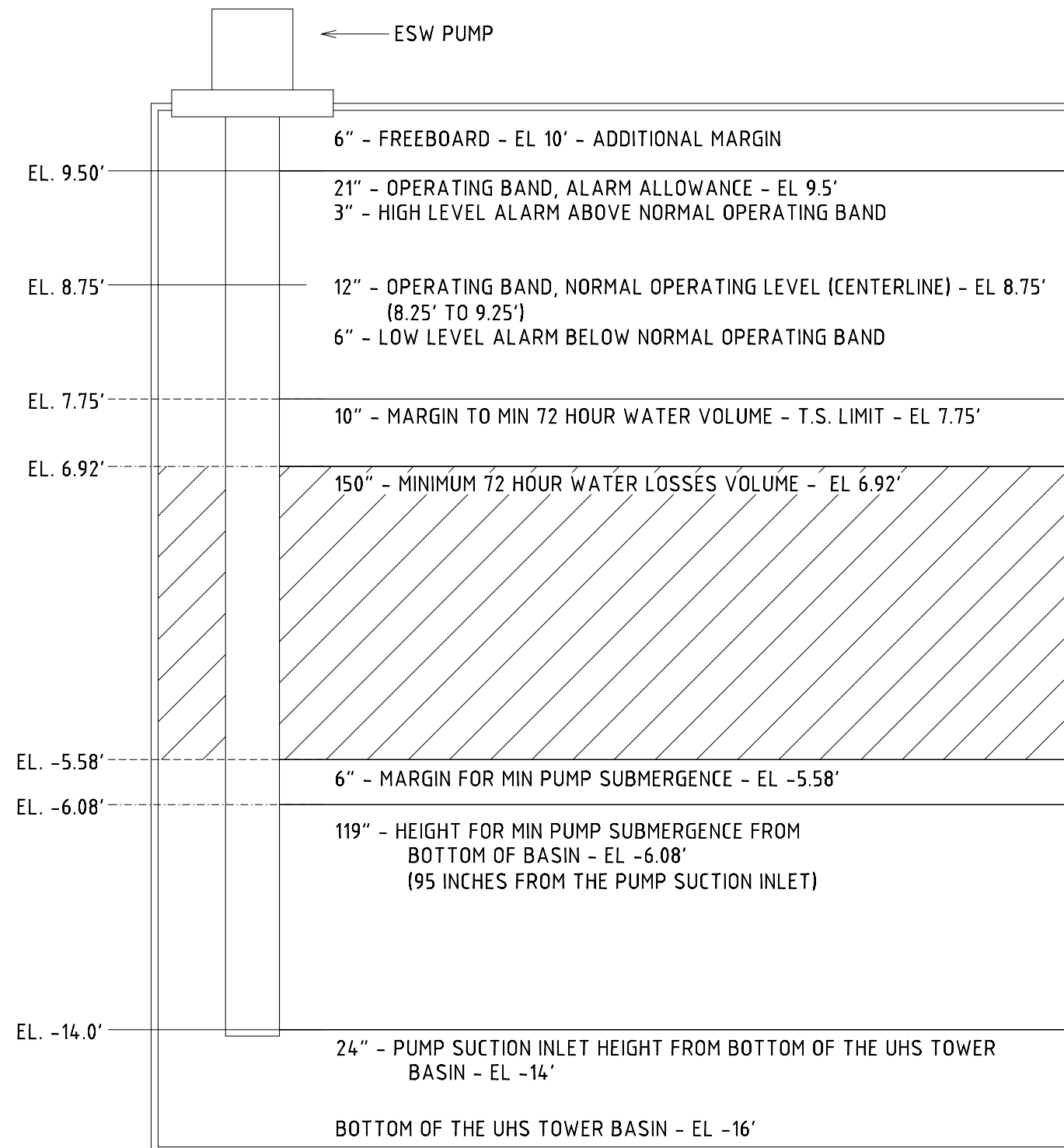
REV 003  
 PED01T2

Figure 9.2.5-2—[[Conceptual Site-Specific UHS Systems]]



REV 003  
PED02T2

Figure 9.2.5-3—Cross-Section of UHS Tower Basin



NOTE:  
FIGURE NOT DRAWN TO SCALE

PED03T2