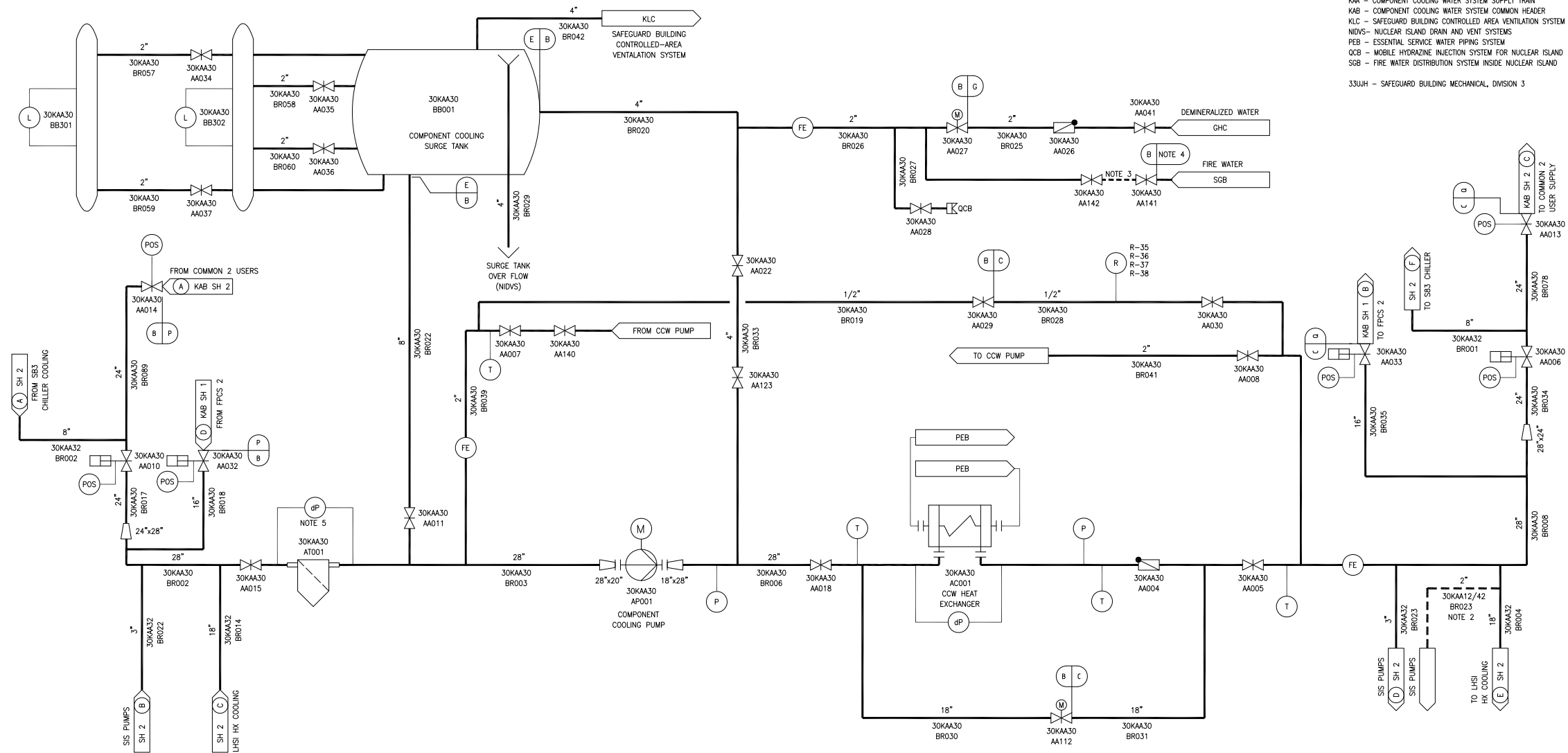


Figure 9.2.2-1—Component Cooling Water System Trains 1 through 4  
Sheet 1 of 2



GHC - DEMINERALIZED WATER DISTRIBUTION SYSTEM  
 KAA - COMPONENT COOLING WATER SYSTEM SUPPLY TRAIN  
 KAB - COMPONENT COOLING WATER SYSTEM COMMON HEADER  
 KLC - SAFEGUARD BUILDING CONTROLLED AREA VENTILATION SYSTEM  
 NIDVS - NUCLEAR ISLAND DRAIN AND VENT SYSTEMS  
 PEB - ESSENTIAL SERVICE WATER PIPING SYSTEM  
 OCB - MOBILE HYDRAZINE INJECTION SYSTEM FOR NUCLEAR ISLAND  
 SGB - FIRE WATER DISTRIBUTION SYSTEM INSIDE NUCLEAR ISLAND  
 33UJH - SAFEGUARD BUILDING MECHANICAL, DIVISION 3

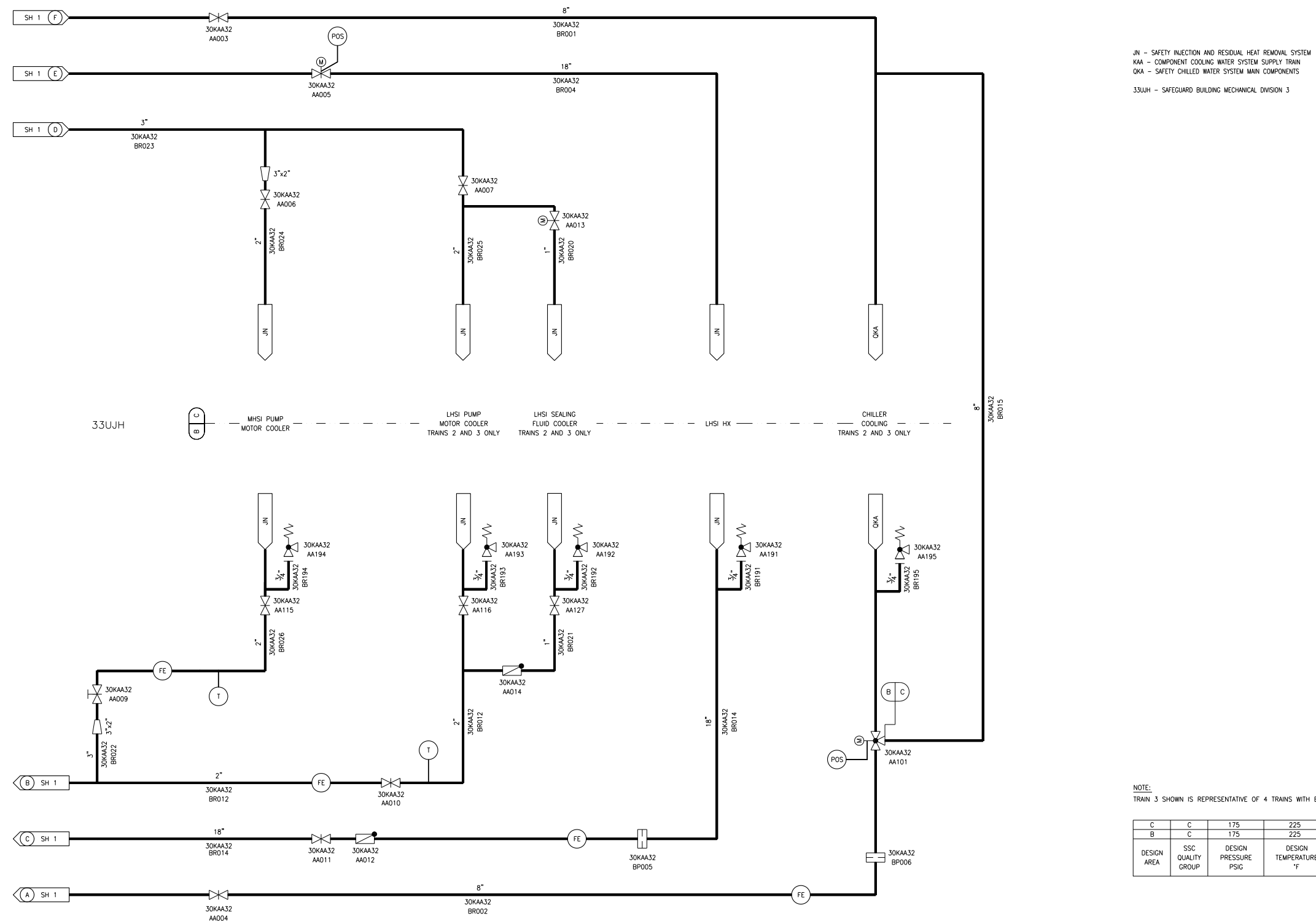
33UJH

- NOTES:  
 1. TRAIN 3 SHOWN IS REPRESENTATIVE OF 4 TRAINS WITH EXCEPTIONS NOTED.  
 2. TRAINS 1 AND 4 SAFETY INJECTION SYSTEM COOLING EXCEPTION.  
 3. SPOOL PIECE TO BE INSTALLED AS OPERATOR ACTION IN POST SEISMIC EVENTS AS REQUIRED.  
 4. FIRE WATER PIPING CONNECTION IS SEISMIC II.  
 5. STRAINER AND dP INSTRUMENTATION TO BE REMOVED AFTER COMMISSIONING.

|             |                   |                      |                       |                   |
|-------------|-------------------|----------------------|-----------------------|-------------------|
| E           | C                 | 15                   | 225                   | I                 |
| G           | E                 | 175                  | 140                   | NSC               |
| C           | C                 | 175                  | 225                   | I                 |
| B           | C                 | 175                  | 225                   | I                 |
| DESIGN AREA | SSC QUALITY GROUP | DESIGN PRESSURE PSIG | DESIGN TEMPERATURE °F | SSC SEISMIC CLASS |

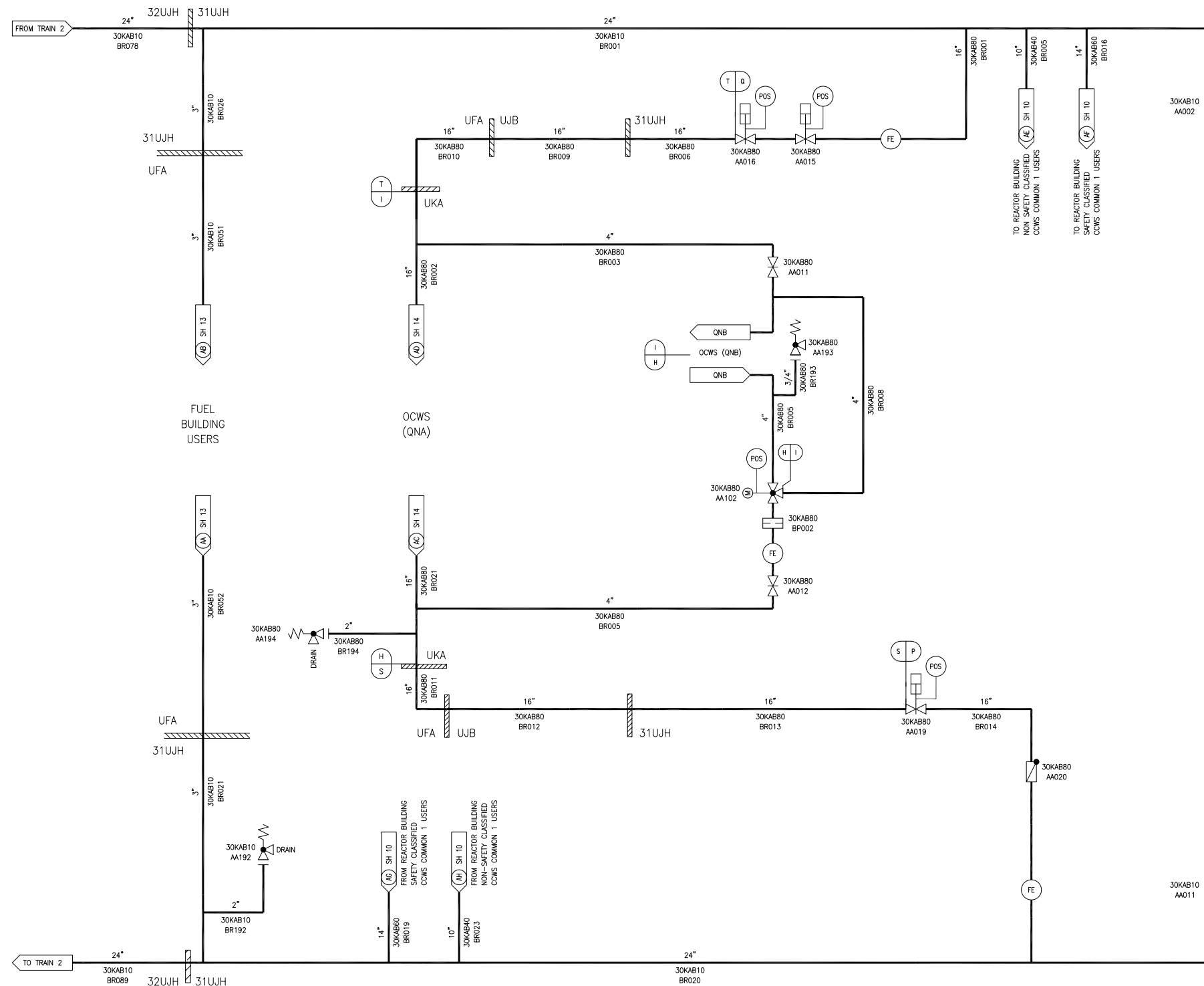
REV 003  
 KAA01T2

Figure 9.2.2-1—Component Cooling Water System Trains 1 through 4  
Sheet 2 of 2



KAA02T2

Figure 9.2.2-2—Component Cooling Water System Common Loop 1  
Sheet 1 of 7



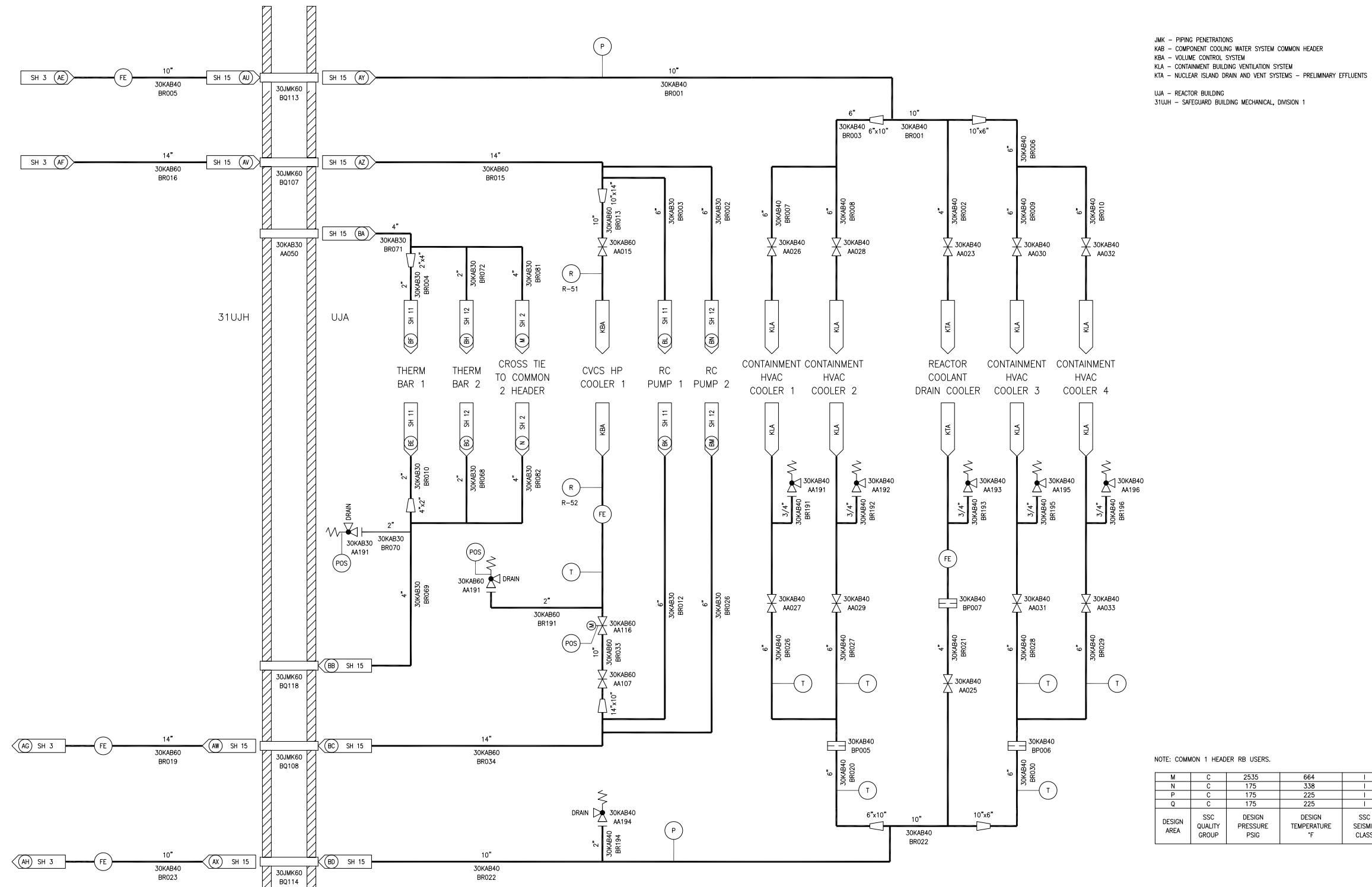
KAA - COMPONENT COOLING WATER SYSTEM SUPPLY TRAIN  
 KAB - COMPONENT COOLING WATER SYSTEM COMMON HEADER  
 QNA - OPERATIONAL CHILLED WATER SYSTEM  
 QNB - OPERATIONAL CHILLED WATER SYSTEM FOR GASEOUS WASTE PROCESSING SYSTEM  
 UFA - FUEL BUILDING  
 UJB - REACTOR BUILDING ANNULUS  
 UKA - NUCLEAR AUXILIARY BUILDING  
 31UJH - SAFEGUARD BUILDING MECHANICAL, DIVISION 1  
 32UJH - SAFEGUARD BUILDING MECHANICAL, DIVISION 2

NOTE:  
 CCWS TRAINS 1 AND 2 COMMON 1 HEADER SUPPLY.

|             |                   |                      |                       |                   |
|-------------|-------------------|----------------------|-----------------------|-------------------|
| T           | E                 | 175                  | 225                   | NSC               |
| S           | E                 | 175                  | 225                   | NSC               |
| I           | E                 | 175                  | 225                   | NSC               |
| H           | E                 | 175                  | 225                   | NSC               |
| P           | C                 | 175                  | 225                   | I                 |
| Q           | C                 | 175                  | 225                   | I                 |
| DESIGN AREA | SSC QUALITY GROUP | DESIGN PRESSURE PSIG | DESIGN TEMPERATURE °F | SSC SEISMIC CLASS |

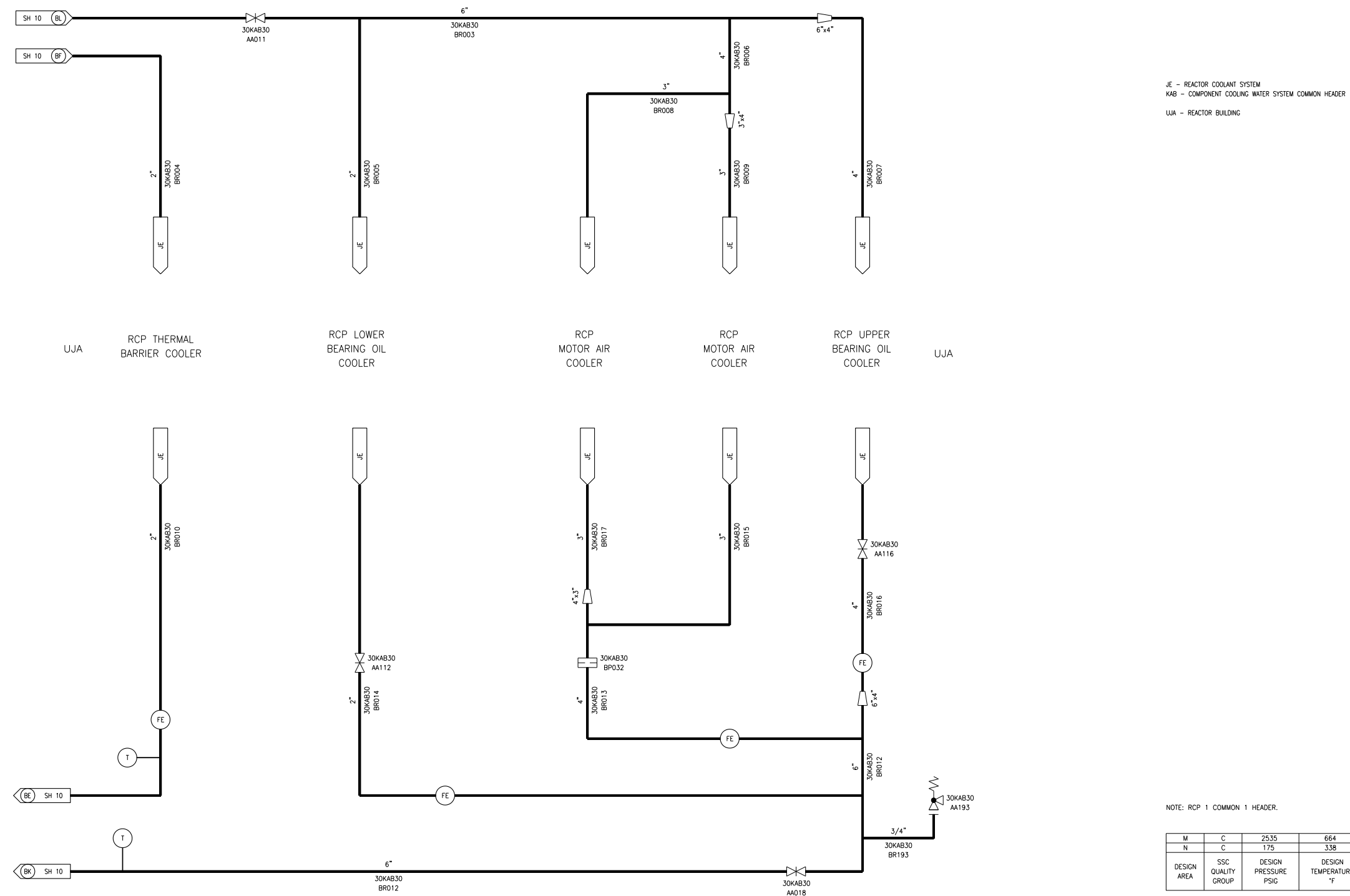
REV 002  
 KAB03T2

Figure 9.2.2-2—Component Cooling Water System Common Loop 1  
Sheet 2 of 7



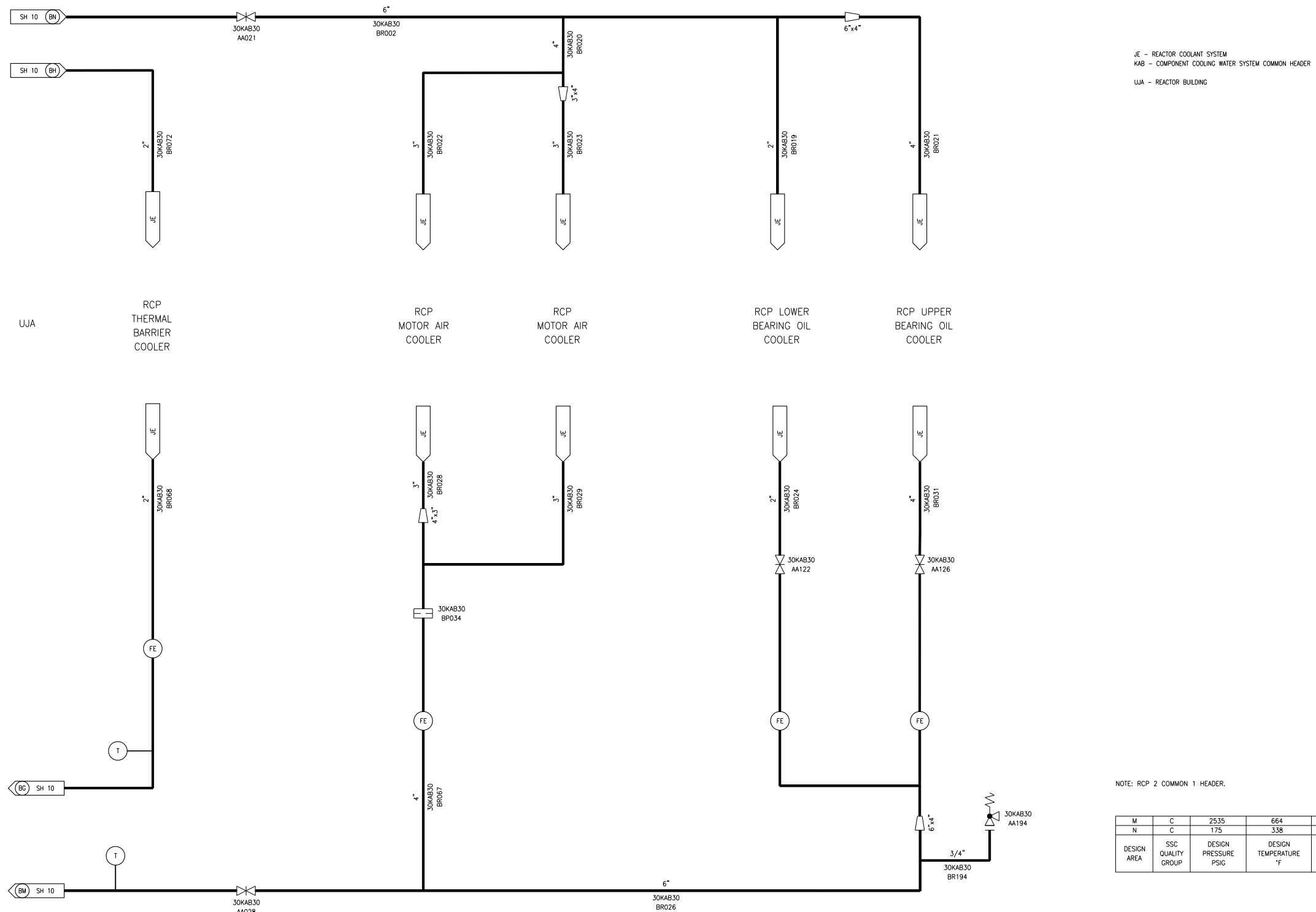
REV 003  
KAB10T2

Figure 9.2.2-2—Component Cooling Water System Common Loop 1  
Sheet 3 of 7



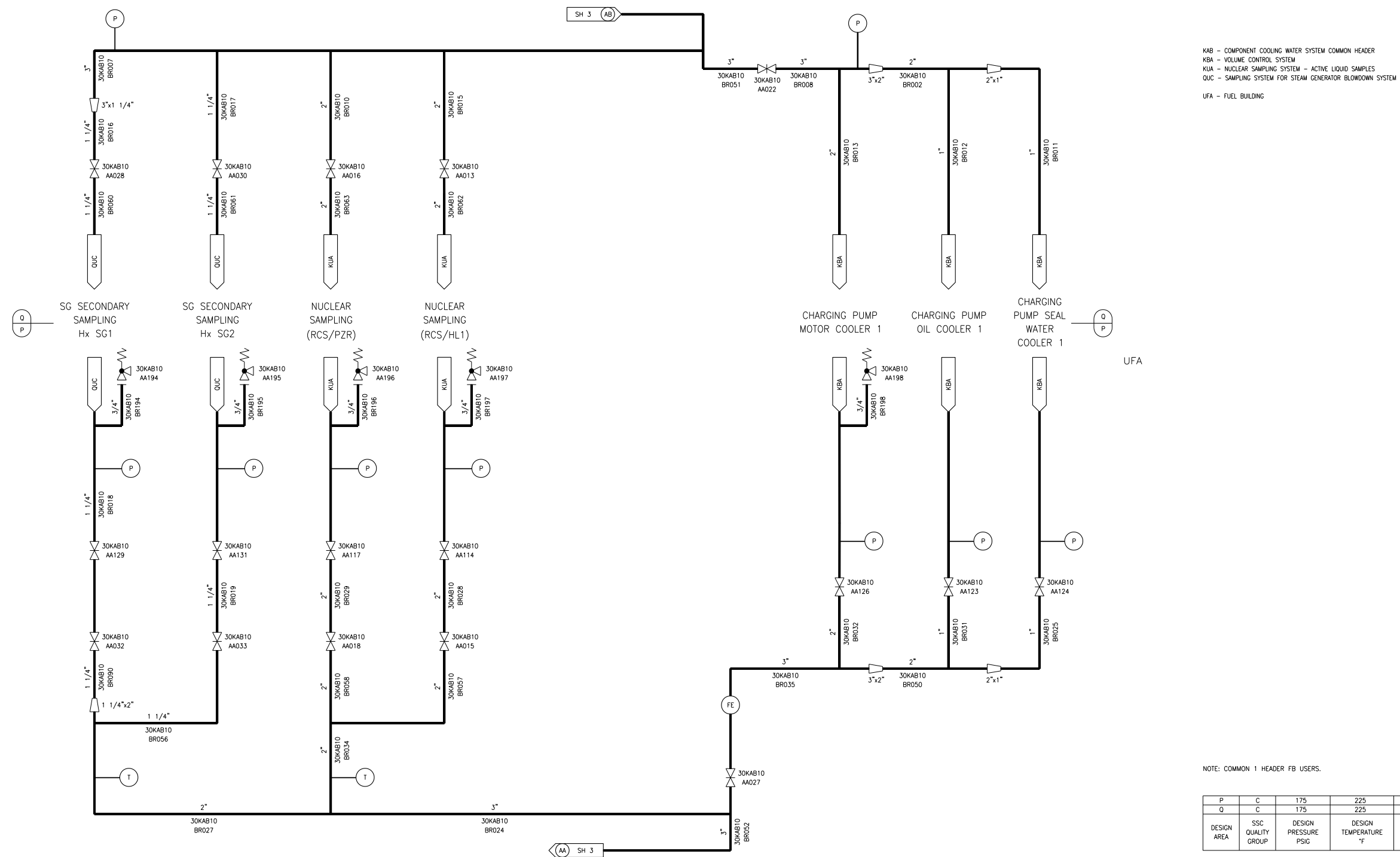
KAB11T2

Figure 9.2.2-2—Component Cooling Water System Common Loop 1  
Sheet 4 of 7



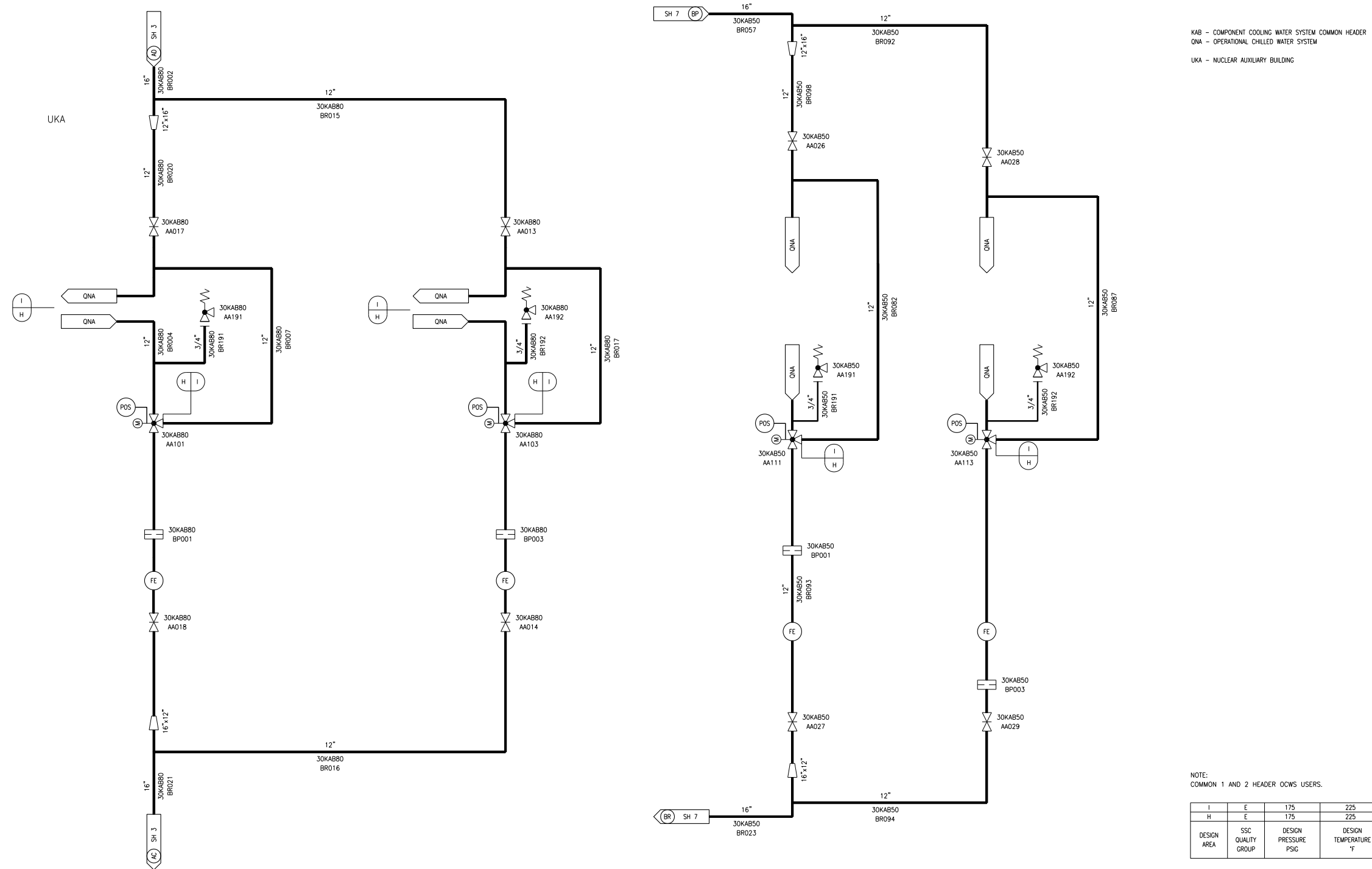
KAB12T2

Figure 9.2.2-2—Component Cooling Water System Common Loop 1  
Sheet 5 of 7



KAB13T2

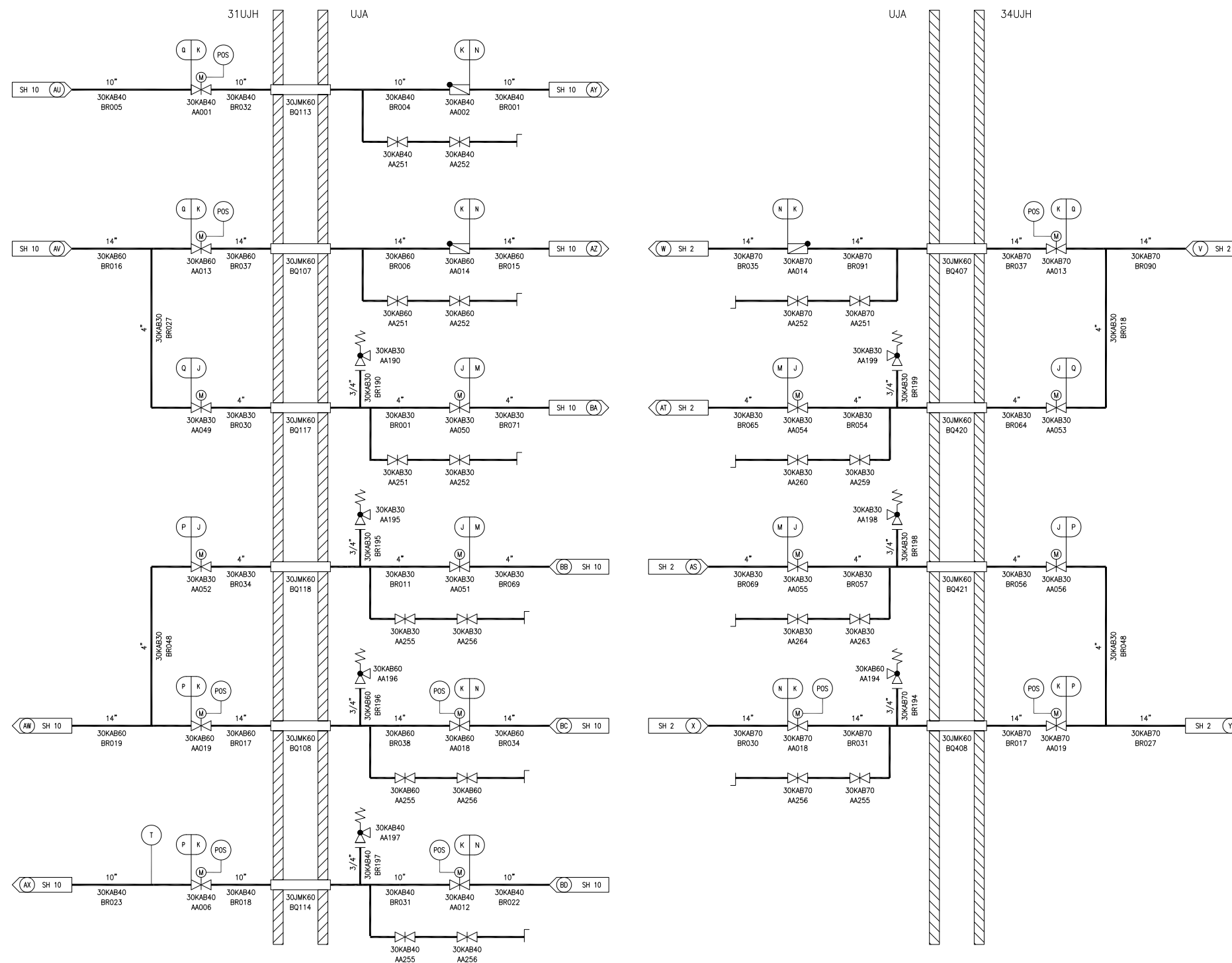
Figure 9.2.2-2—Component Cooling Water System Common Loop 1  
Sheet 6 of 7



KAB14T2



Figure 9.2.2-2—Component Cooling Water System Common Loop 1  
Sheet 7 of 7



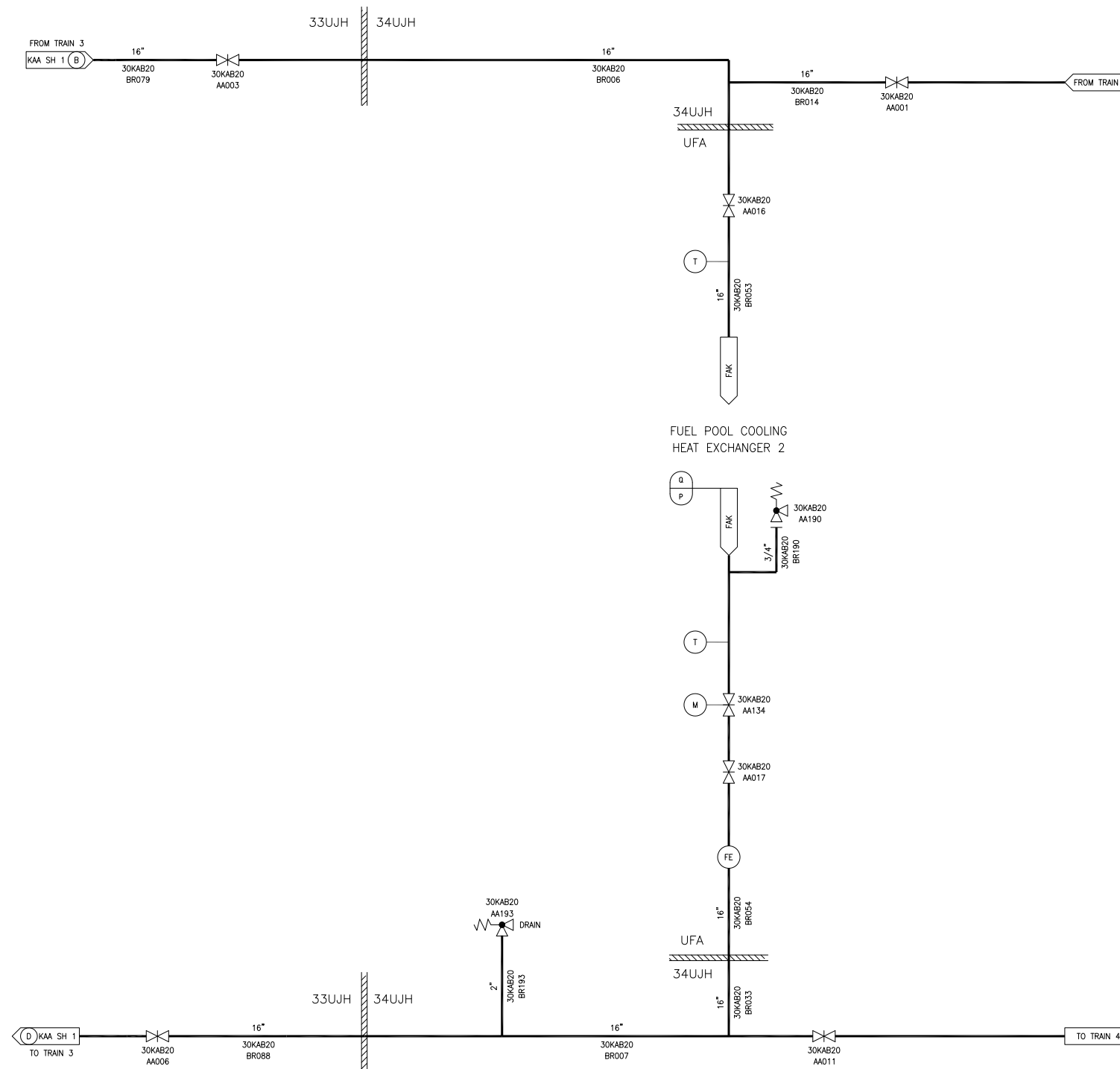
JMK - PIPING PENETRATIONS  
 KAB - COMPONENT COOLING WATER SYSTEM COMMON HEADER  
 UJA - REACTOR BUILDING  
 31UJH - SAFEGUARD BUILDING MECHANICAL, DIVISION 1  
 34UJH - SAFEGUARD BUILDING MECHANICAL, DIVISION 4

NOTE: COMMON 1 AND 2 CONTAINMENT PENETRATION DETAILS.

|             |                   |                      |                       |                   |
|-------------|-------------------|----------------------|-----------------------|-------------------|
| J           | B                 | 2535                 | 664                   | I                 |
| M           | C                 | 2535                 | 664                   | I                 |
| K           | B                 | 175                  | 338                   | I                 |
| N           | C                 | 175                  | 338                   | I                 |
| P           | C                 | 175                  | 225                   | I                 |
| Q           | C                 | 175                  | 225                   | I                 |
| DESIGN AREA | SSC QUALITY GROUP | DESIGN PRESSURE PSIG | DESIGN TEMPERATURE °F | SSC SEISMIC CLASS |

REV 003  
 KAB15T2

Figure 9.2.2-3—Component Cooling Water System Common Loop 2  
Sheet 1 of 8



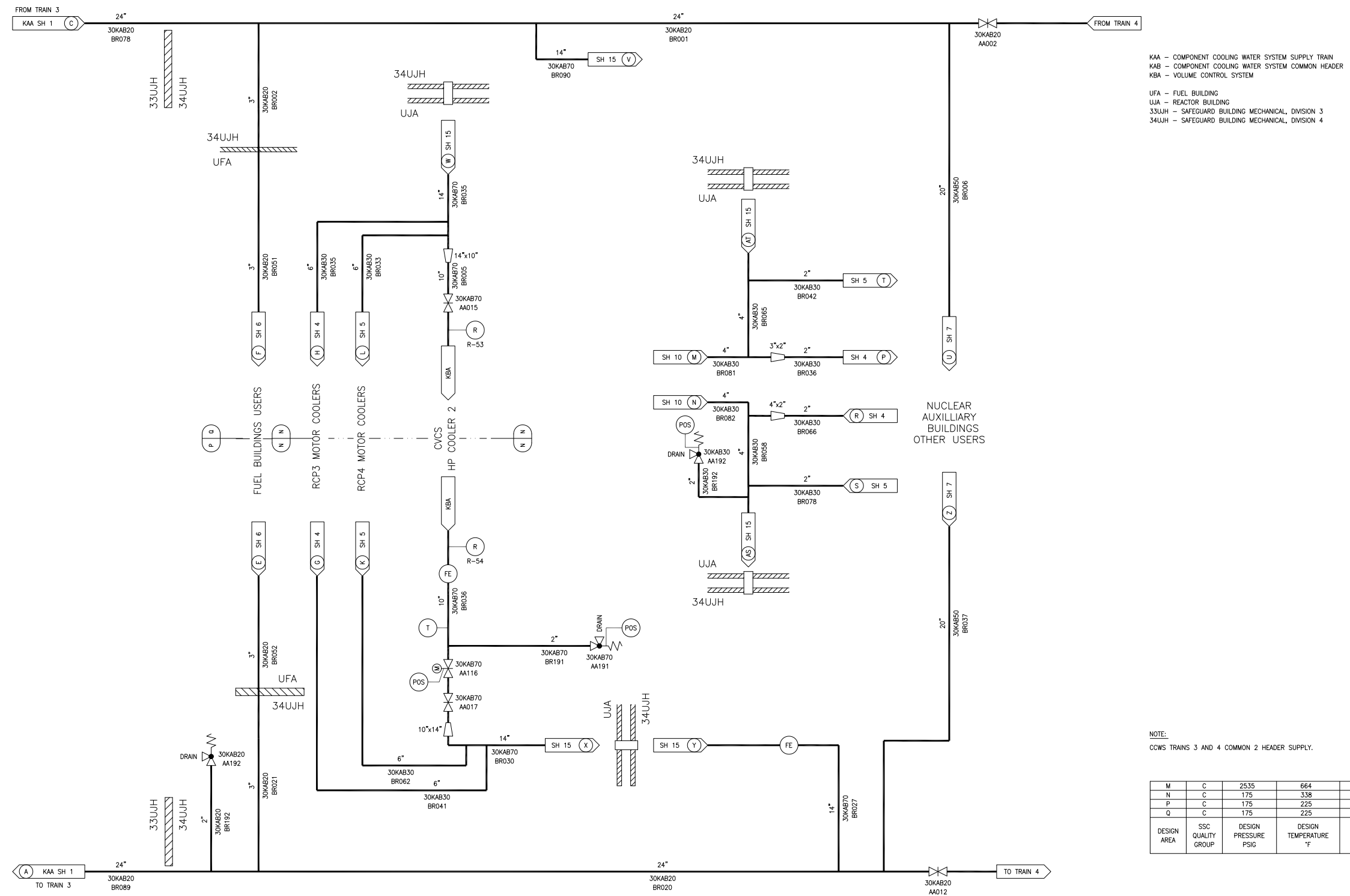
FAK – FUEL POOL COOLING SYSTEM  
 KAA – COMPONENT COOLING WATER SYSTEM SUPPLY TRAIN  
 KAB – COMPONENT COOLING WATER SYSTEM COMMON HEADER  
 KLL – FUEL BUILDING VENTILATION SYSTEM  
 UFA – FUEL BUILDING  
 33UJH – SAFEGUARD BUILDING MECHANICAL, DIVISION 3  
 34UJH – SAFEGUARD BUILDING MECHANICAL, DIVISION 4

NOTE:  
 CCWS TRAINS 3 AND 4 SUPPLYING FPCCS TRAIN 2 SHOWN IS REPRESENTATIVE  
 OF CCWS TRAINS 2 AND 1, RESPECTIVELY SUPPLYING FPCCS TRAIN 1, WITH  
 EXCEPTIONS AS NOTED.

|                |                         |                            |                             |                         |
|----------------|-------------------------|----------------------------|-----------------------------|-------------------------|
| P              | C                       | 175                        | 225                         | I                       |
| Q              | C                       | 175                        | 225                         | I                       |
| DESIGN<br>AREA | SSC<br>QUALITY<br>GROUP | DESIGN<br>PRESSURE<br>PSIG | DESIGN<br>TEMPERATURE<br>°F | SSC<br>SEISMIC<br>CLASS |

REV 002  
 KAB01T2

Figure 9.2.2-3—Component Cooling Water System Common Loop 2  
Sheet 2 of 8



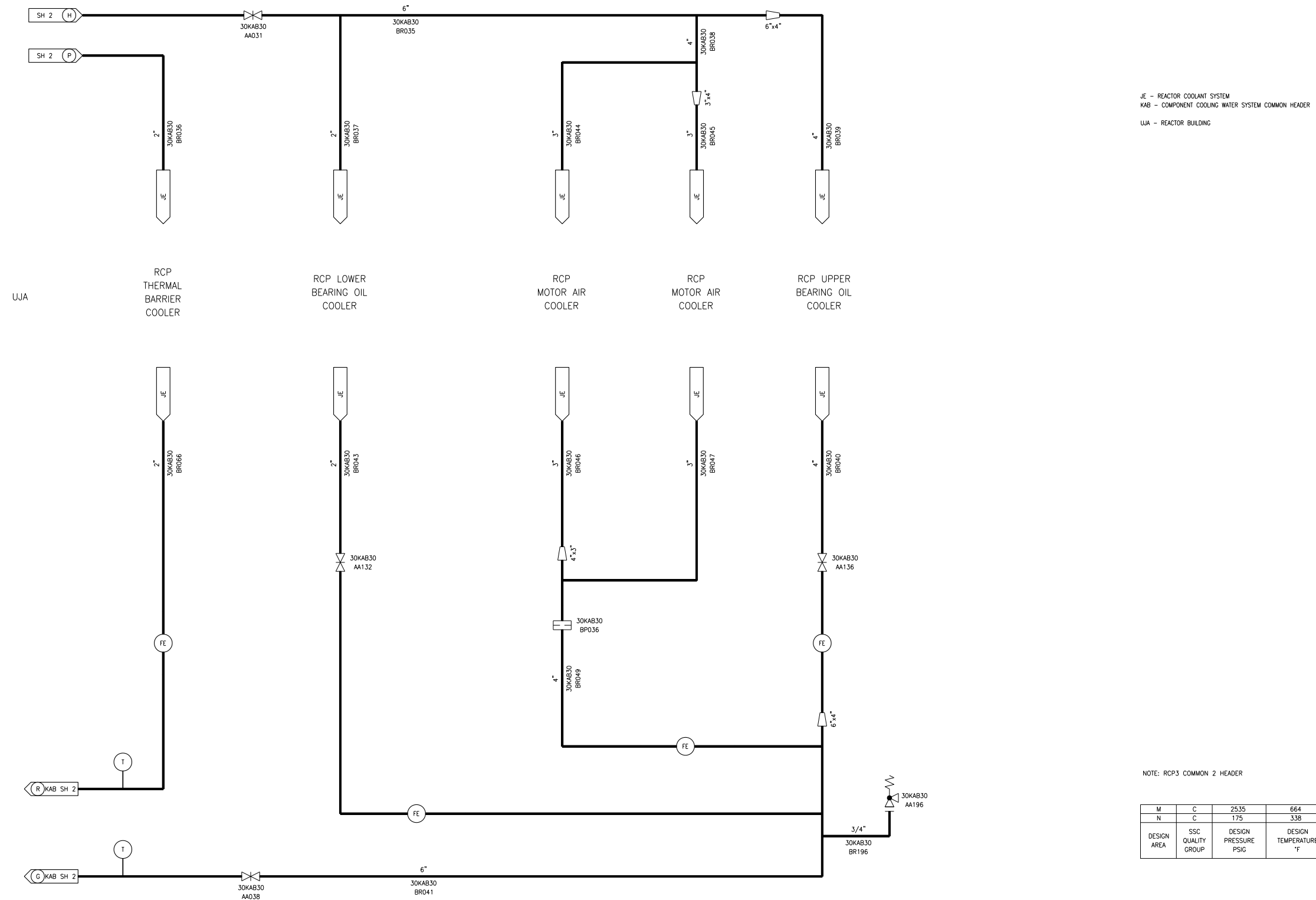
KAA - COMPONENT COOLING WATER SYSTEM SUPPLY TRAIN  
 KAB - COMPONENT COOLING WATER SYSTEM COMMON HEADER  
 KBA - VOLUME CONTROL SYSTEM  
 UFA - FUEL BUILDING  
 UJA - REACTOR BUILDING  
 33UJH - SAFEGUARD BUILDING MECHANICAL, DIVISION 3  
 34UJH - SAFEGUARD BUILDING MECHANICAL, DIVISION 4

NOTE:  
 CCWS TRAINS 3 AND 4 COMMON 2 HEADER SUPPLY.

|             |                   |                      |                       |                   |
|-------------|-------------------|----------------------|-----------------------|-------------------|
| M           | C                 | 2535                 | 664                   | I                 |
| N           | C                 | 175                  | 338                   | I                 |
| P           | C                 | 175                  | 225                   | I                 |
| Q           | C                 | 175                  | 225                   | I                 |
| DESIGN AREA | SSC QUALITY GROUP | DESIGN PRESSURE PSIG | DESIGN TEMPERATURE °F | SSC SEISMIC CLASS |

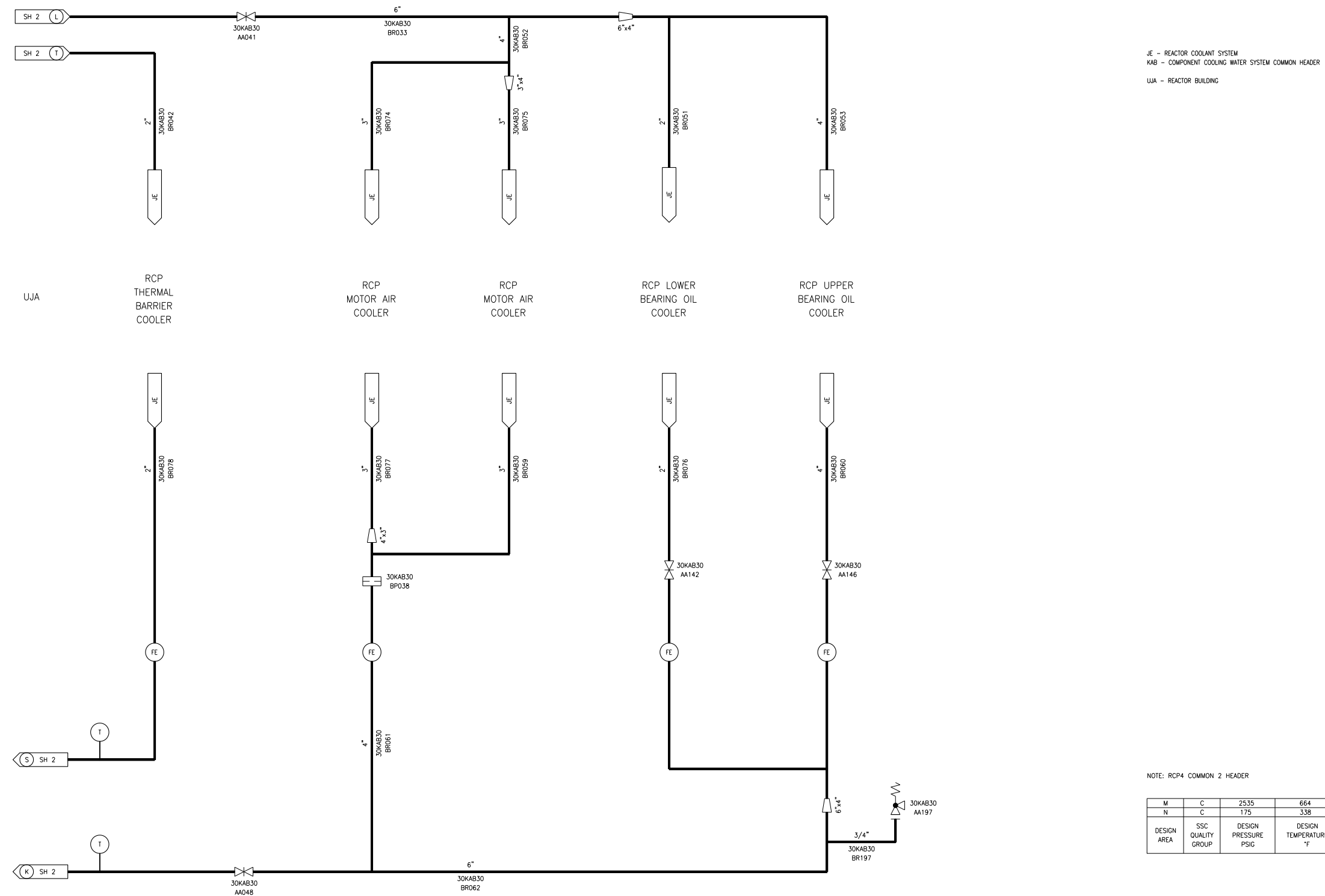
REV 003  
 KAB02T2

Figure 9.2.2-3—Component Cooling Water System Common Loop 2  
Sheet 3 of 8



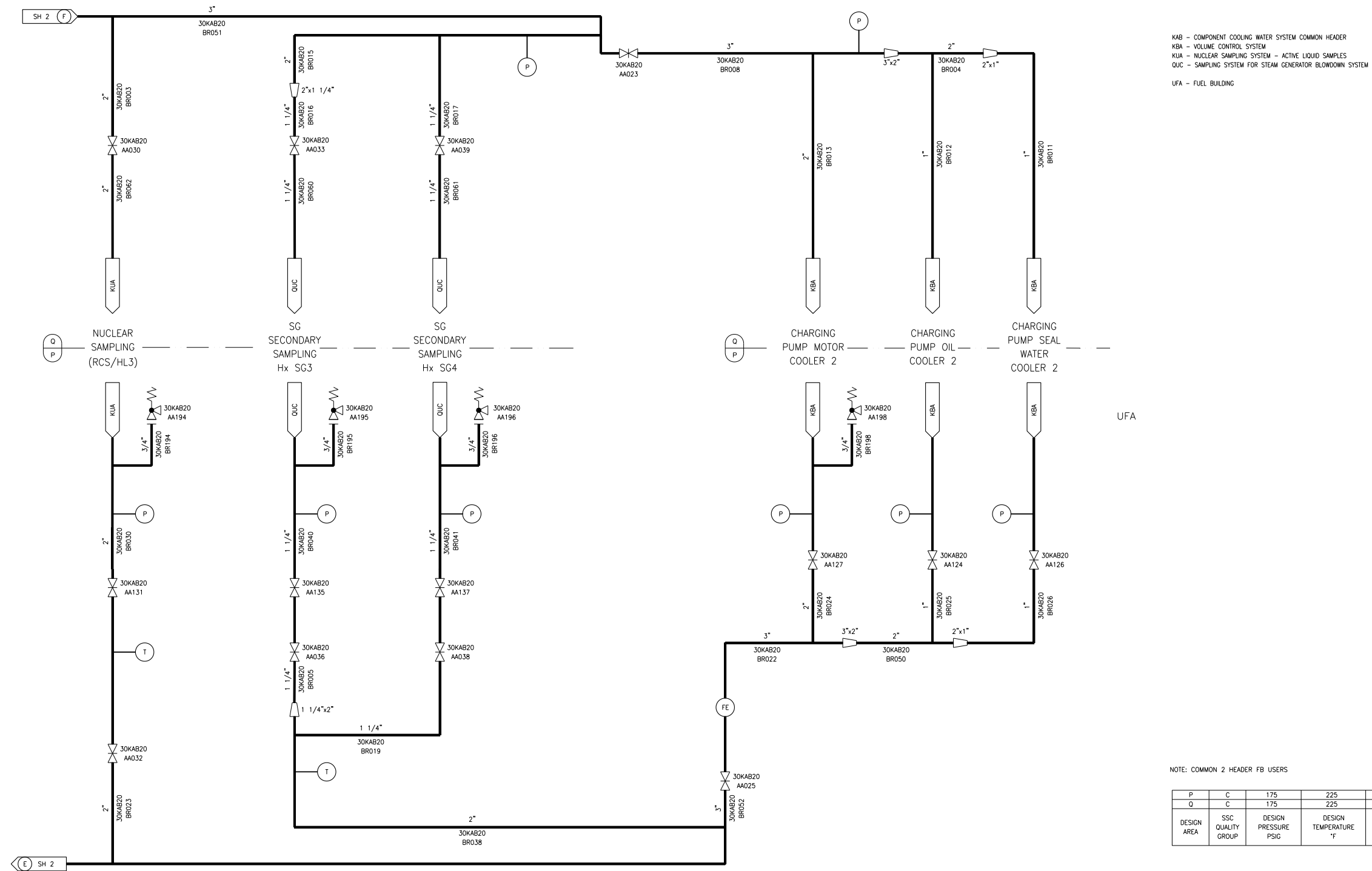
KAB04T2

Figure 9.2.2-3—Component Cooling Water System Common Loop 2  
Sheet 4 of 8



KAB05T2

Figure 9.2.2-3—Component Cooling Water System Common Loop 2  
Sheet 5 of 8



KAB - COMPONENT COOLING SYSTEM COMMON HEADER  
KBA - VOLUME CONTROL SYSTEM  
KUA - NUCLEAR SAMPLING SYSTEM - ACTIVE LIQUID SAMPLES  
QUC - SAMPLING SYSTEM FOR STEAM GENERATOR BLOWDOWN SYSTEM  
UFA - FUEL BUILDING

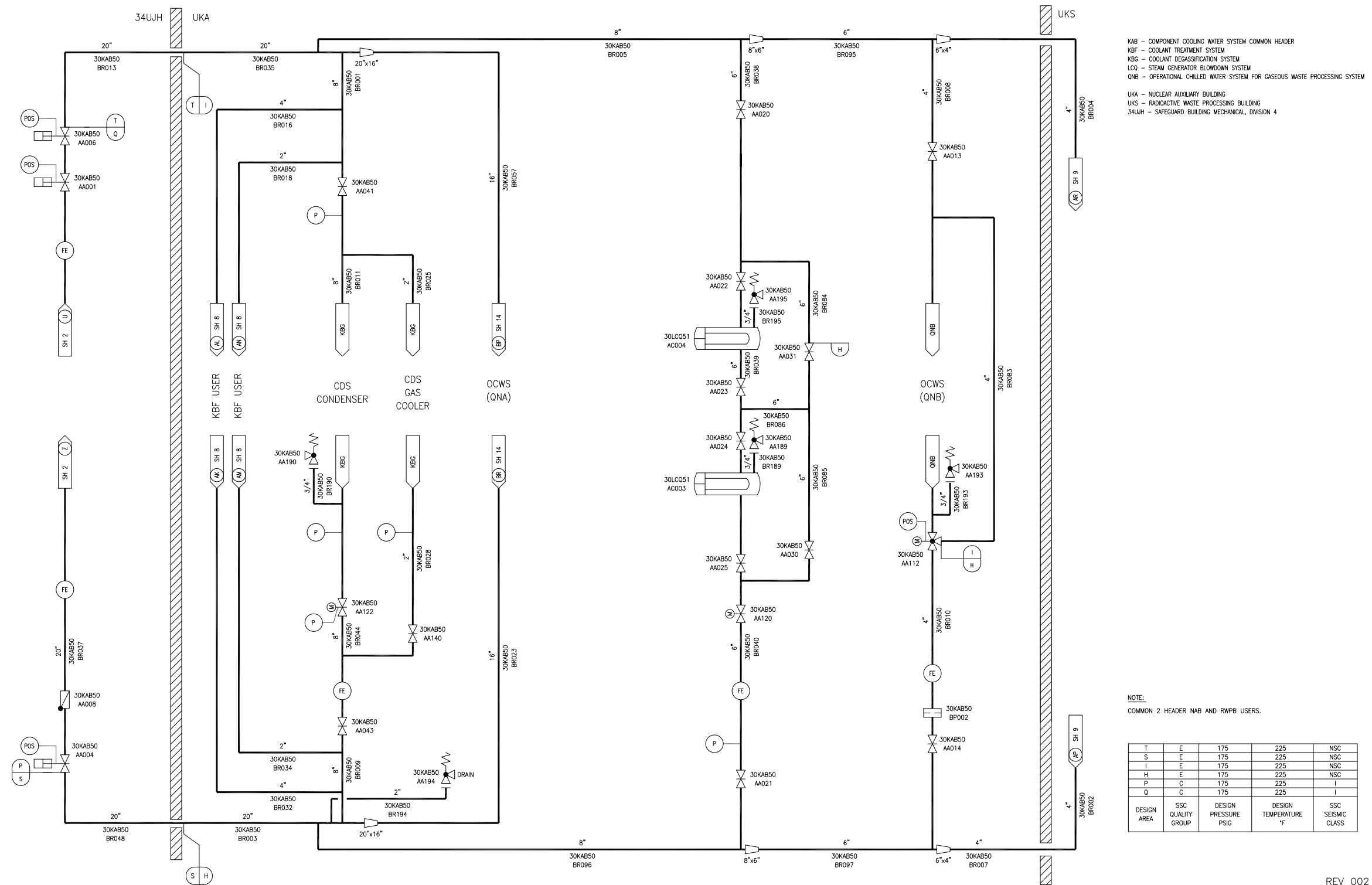
UFA

NOTE: COMMON 2 HEADER FB USERS

| DESIGN AREA | SSC QUALITY GROUP | DESIGN PRESSURE PSIG | DESIGN TEMPERATURE °F | SSC SEISMIC CLASS |
|-------------|-------------------|----------------------|-----------------------|-------------------|
| P           | C                 | 175                  | 225                   | I                 |
| O           | C                 | 175                  | 225                   | I                 |

KAB06T2

Figure 9.2.2-3—Component Cooling Water System Common Loop 2  
Sheet 6 of 8



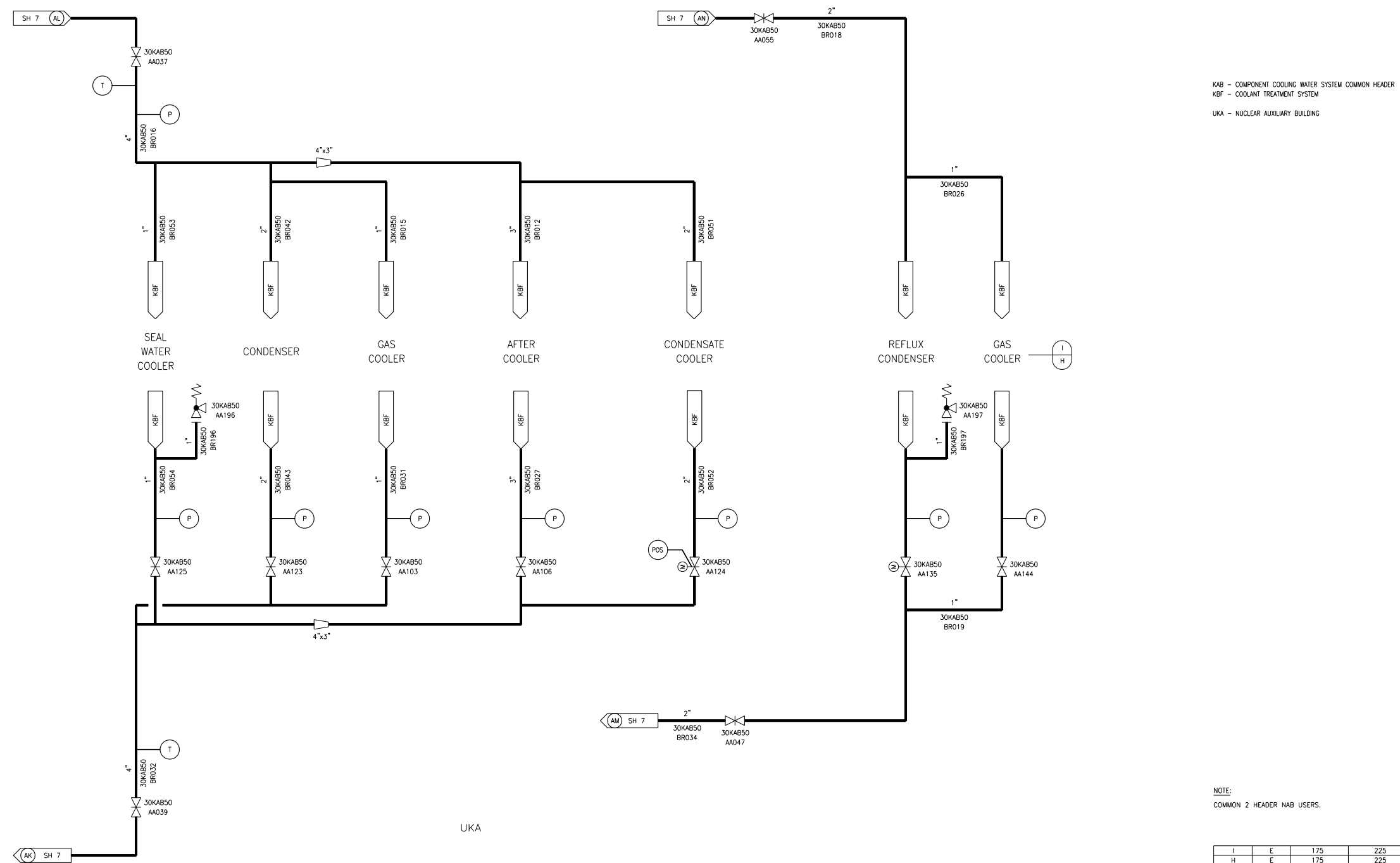
KAB - COMPONENT COOLING WATER SYSTEM COMMON HEADER  
 KBF - COOLANT TREATMENT SYSTEM  
 KBC - COOLANT DEGASSIFICATION SYSTEM  
 LCO - STEAM GENERATOR BLOWDOWN SYSTEM  
 ONB - OPERATIONAL CHILLED WATER SYSTEM FOR GASEOUS WASTE PROCESSING SYSTEM  
 UKA - NUCLEAR AUXILIARY BUILDING  
 UKS - RADIOACTIVE WASTE PROCESSING BUILDING  
 34UJH - SAFEGUARD BUILDING MECHANICAL, DIVISION 4

NOTE:  
COMMON 2 HEADER NAB AND RWPB USERS.

|             |                   |                      |                       |                   |
|-------------|-------------------|----------------------|-----------------------|-------------------|
| T           | E                 | 175                  | 225                   | NSC               |
| S           | E                 | 175                  | 225                   | NSC               |
| I           | E                 | 175                  | 225                   | NSC               |
| H           | E                 | 175                  | 225                   | NSC               |
| P           | C                 | 175                  | 225                   | I                 |
| Q           | C                 | 175                  | 225                   | I                 |
| DESIGN AREA | SSC QUALITY GROUP | DESIGN PRESSURE PSIG | DESIGN TEMPERATURE °F | SSC SEISMIC CLASS |

REV 002  
KAB0712

Figure 9.2.2-3—Component Cooling Water System Common Loop 2  
Sheet 7 of 8

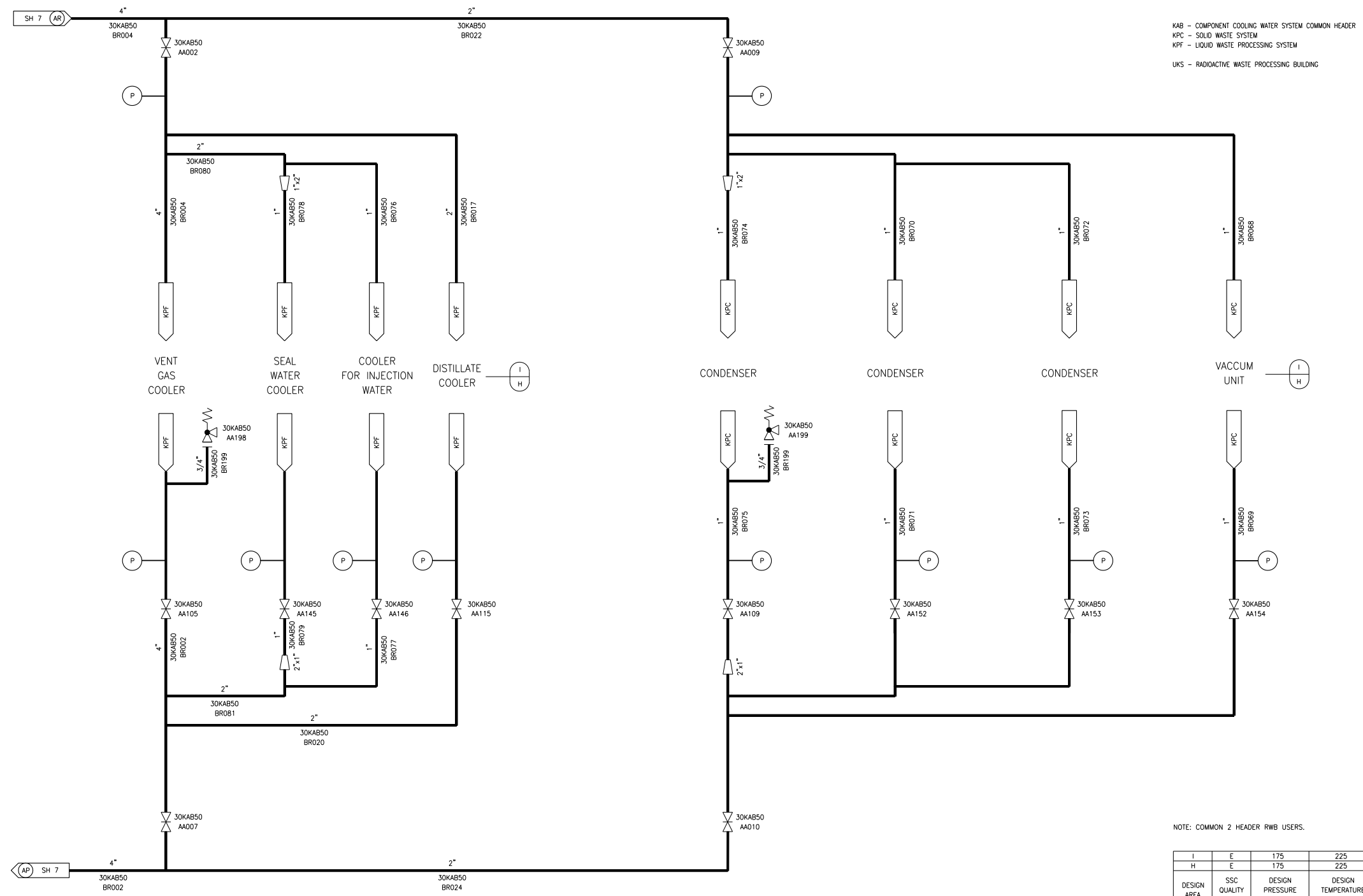


UKA

KAB08T2



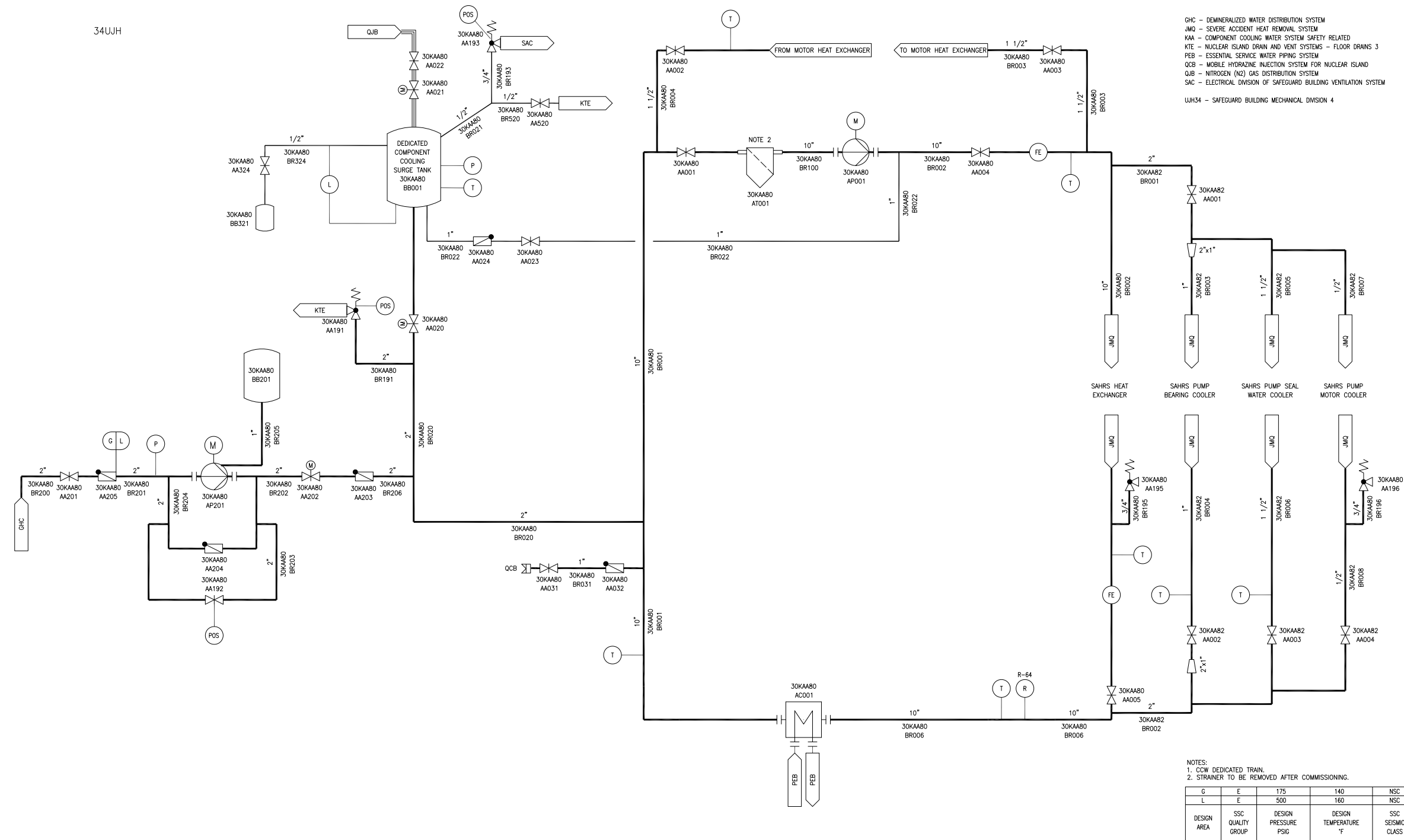
Figure 9.2.2-3—Component Cooling Water System Common Loop 2  
Sheet 8 of 8



UKS

KAB09T2

Figure 9.2.2-4—Component Cooling Water System Dedicated CCWS Trains



34UJH

REV 003  
KAA0312