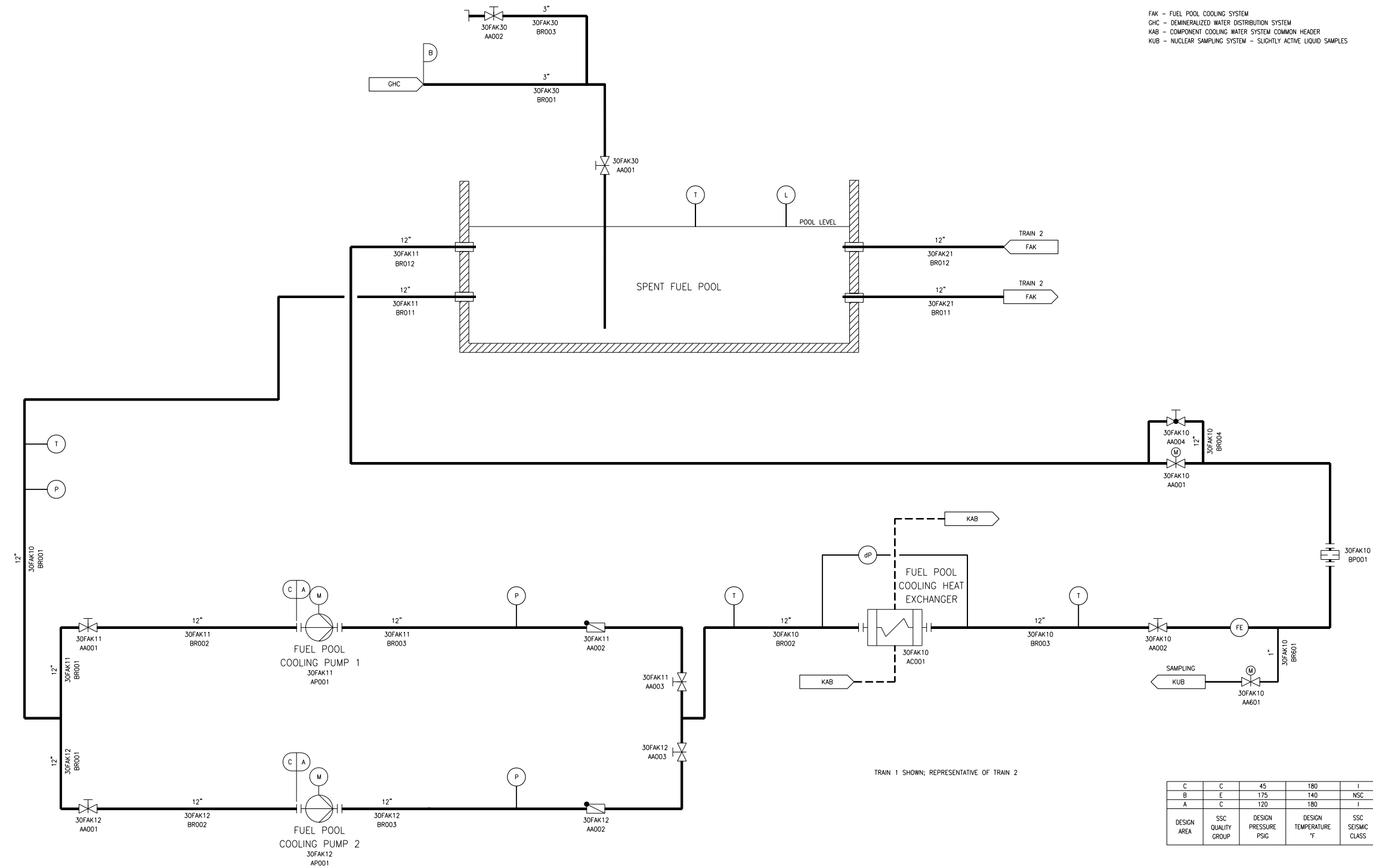


Figure 9.1.3-1—Fuel Pool Cooling System



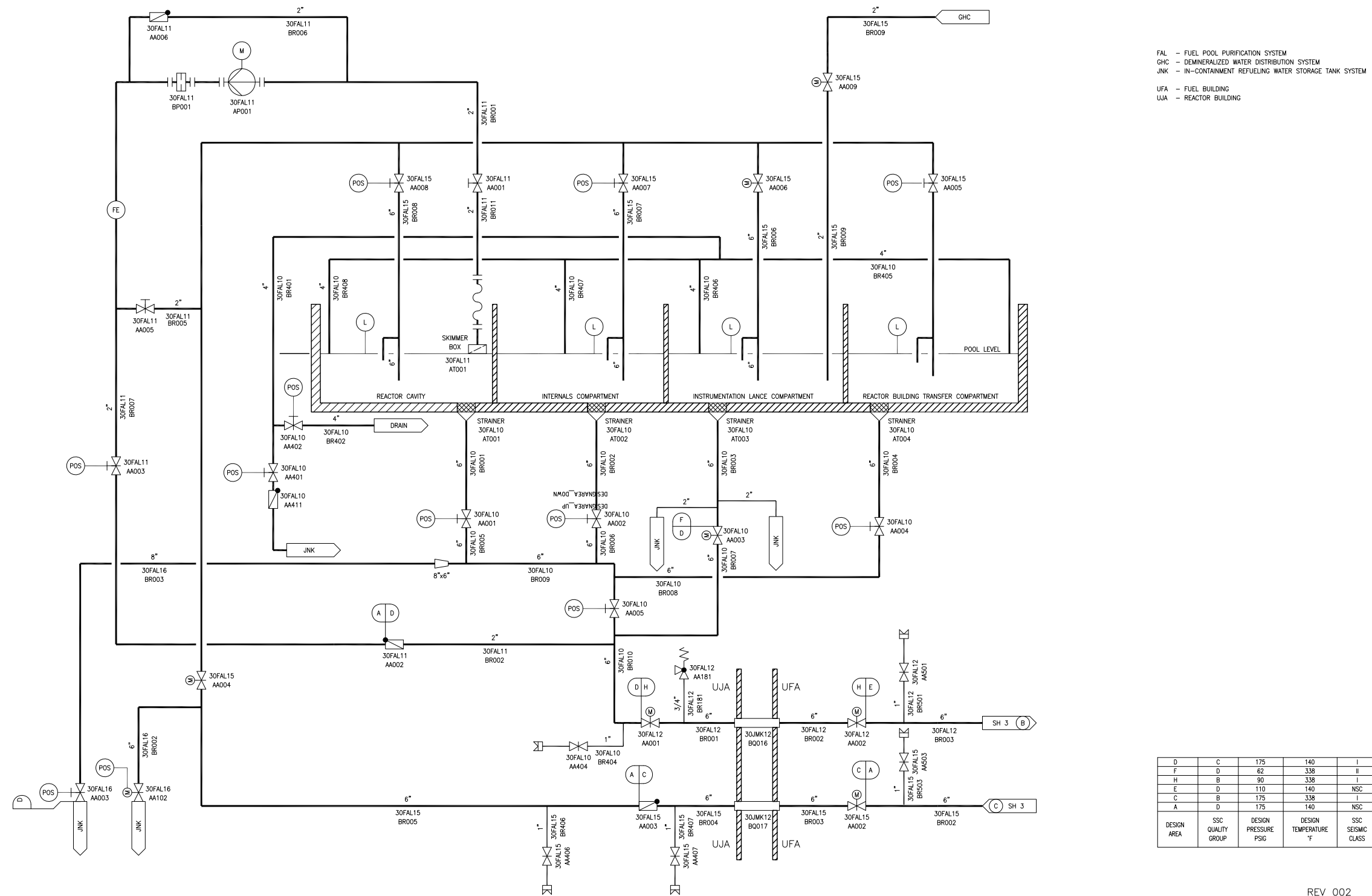
FAK - FUEL POOL COOLING SYSTEM
 GHC - DEMINERALIZED WATER DISTRIBUTION SYSTEM
 KAB - COMPONENT COOLING WATER SYSTEM COMMON HEADER
 KUB - NUCLEAR SAMPLING SYSTEM - SLIGHTLY ACTIVE LIQUID SAMPLES

TRAIN 1 SHOWN; REPRESENTATIVE OF TRAIN 2

C	C	45	180	I
B	E	175	140	NSC
A	C	120	180	I
DESIGN AREA	SSC QUALITY GROUP	DESIGN PRESSURE PSIG	DESIGN TEMPERATURE °F	SSC SEISMIC CLASS

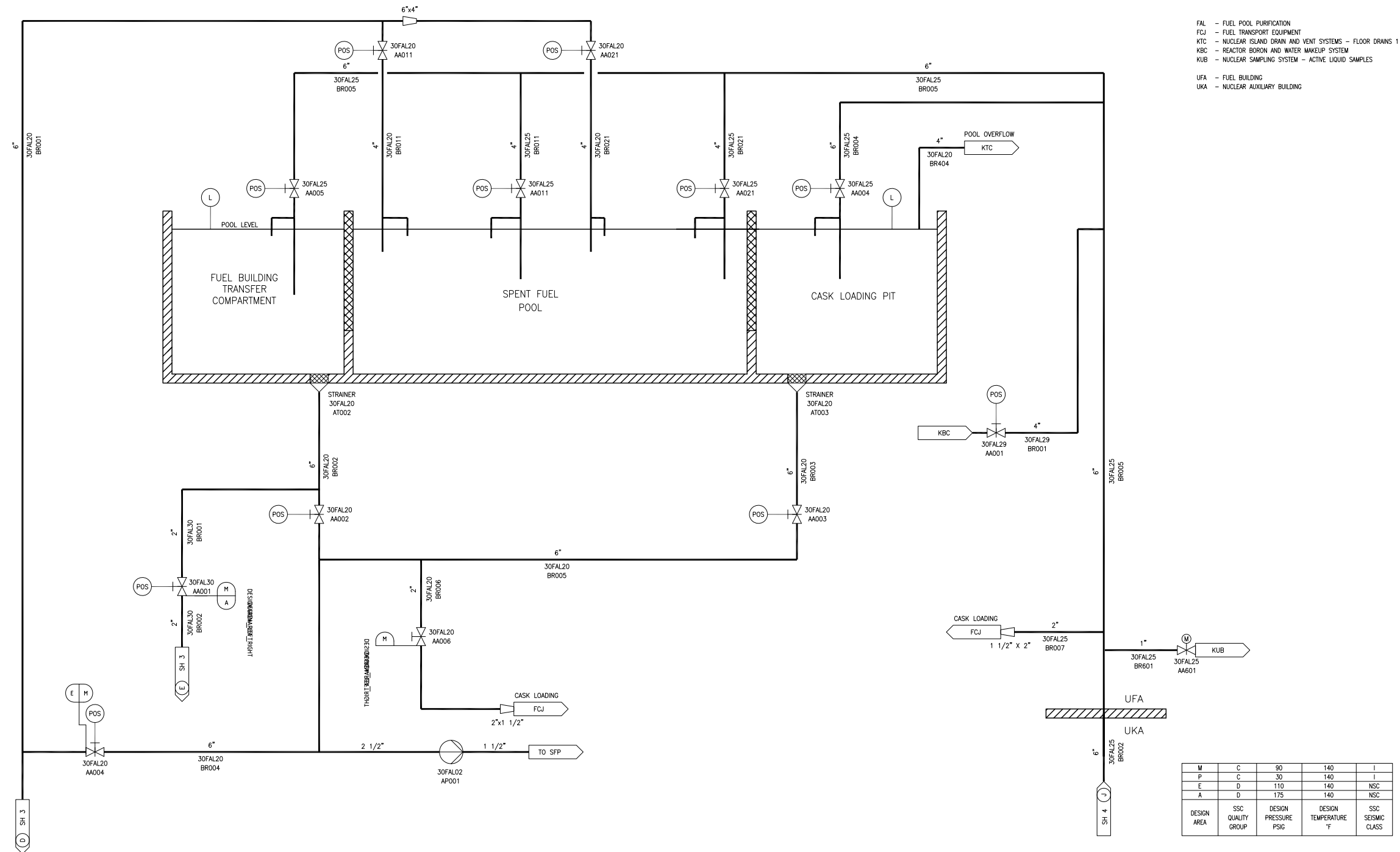
FAK01T2

Figure 9.1.3-2—Fuel Pool Purification System
Sheet 1 of 5



REV 002
FAL0112

Figure 9.1.3-2—Fuel Pool Purification System
Sheet 2 of 5

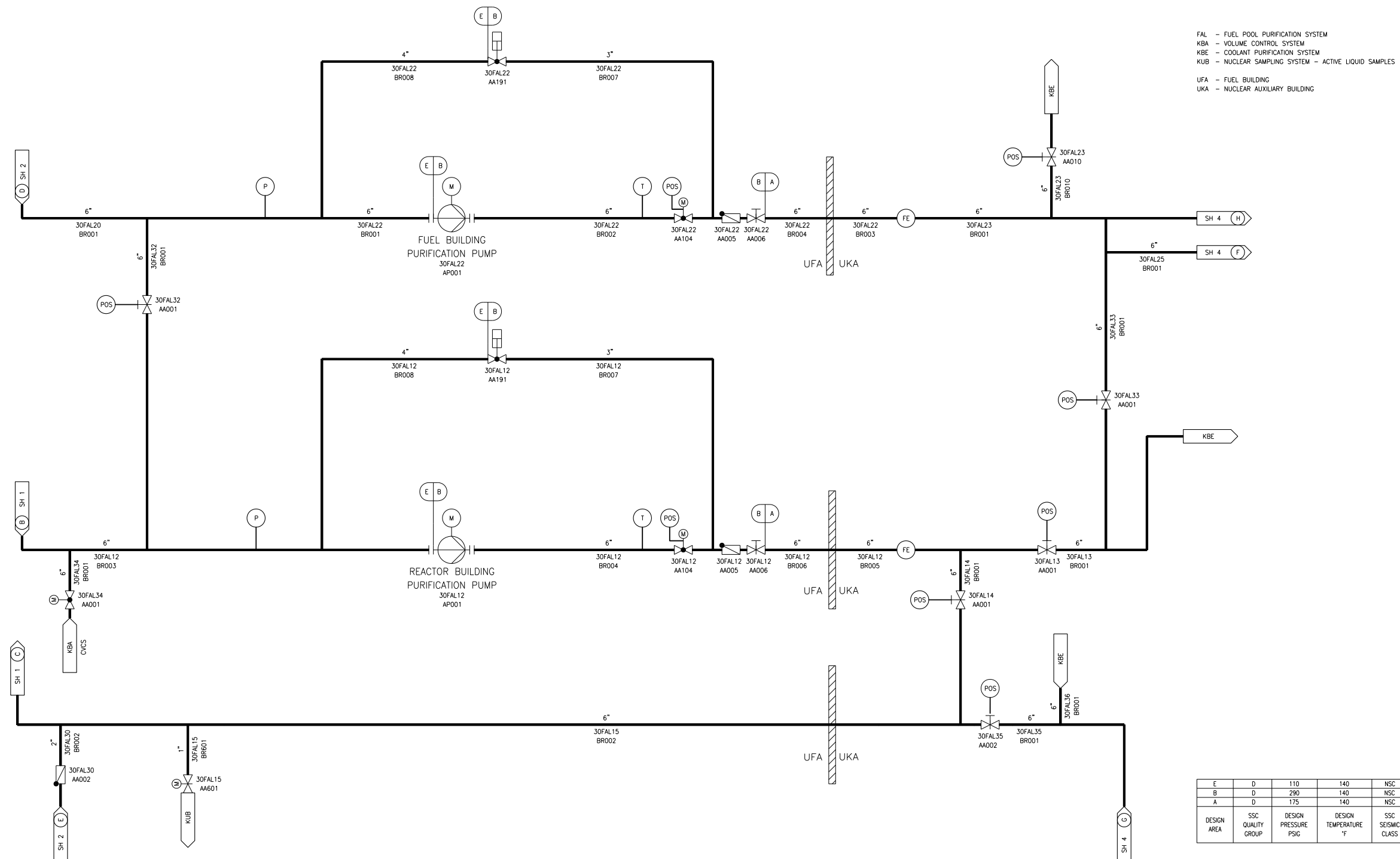


- FAL - FUEL POOL PURIFICATION
- FCJ - FUEL TRANSPORT EQUIPMENT
- KTC - NUCLEAR ISLAND DRAIN AND VENT SYSTEMS - FLOOR DRAINS 1
- KBC - REACTOR BORON AND WATER MAKEUP SYSTEM
- KUB - NUCLEAR SAMPLING SYSTEM - ACTIVE LIQUID SAMPLES
- UFA - FUEL BUILDING
- UKA - NUCLEAR AUXILIARY BUILDING

M	C	90	140	I
P	C	30	140	I
E	D	110	140	NSC
A	D	175	140	NSC
DESIGN AREA	SSC QUALITY GROUP	DESIGN PRESSURE PSIG	DESIGN TEMPERATURE °F	SSC SEISMIC CLASS

REV 002
FAL02T2

Figure 9.1.3-2—Fuel Pool Purification System
Sheet 3 of 5

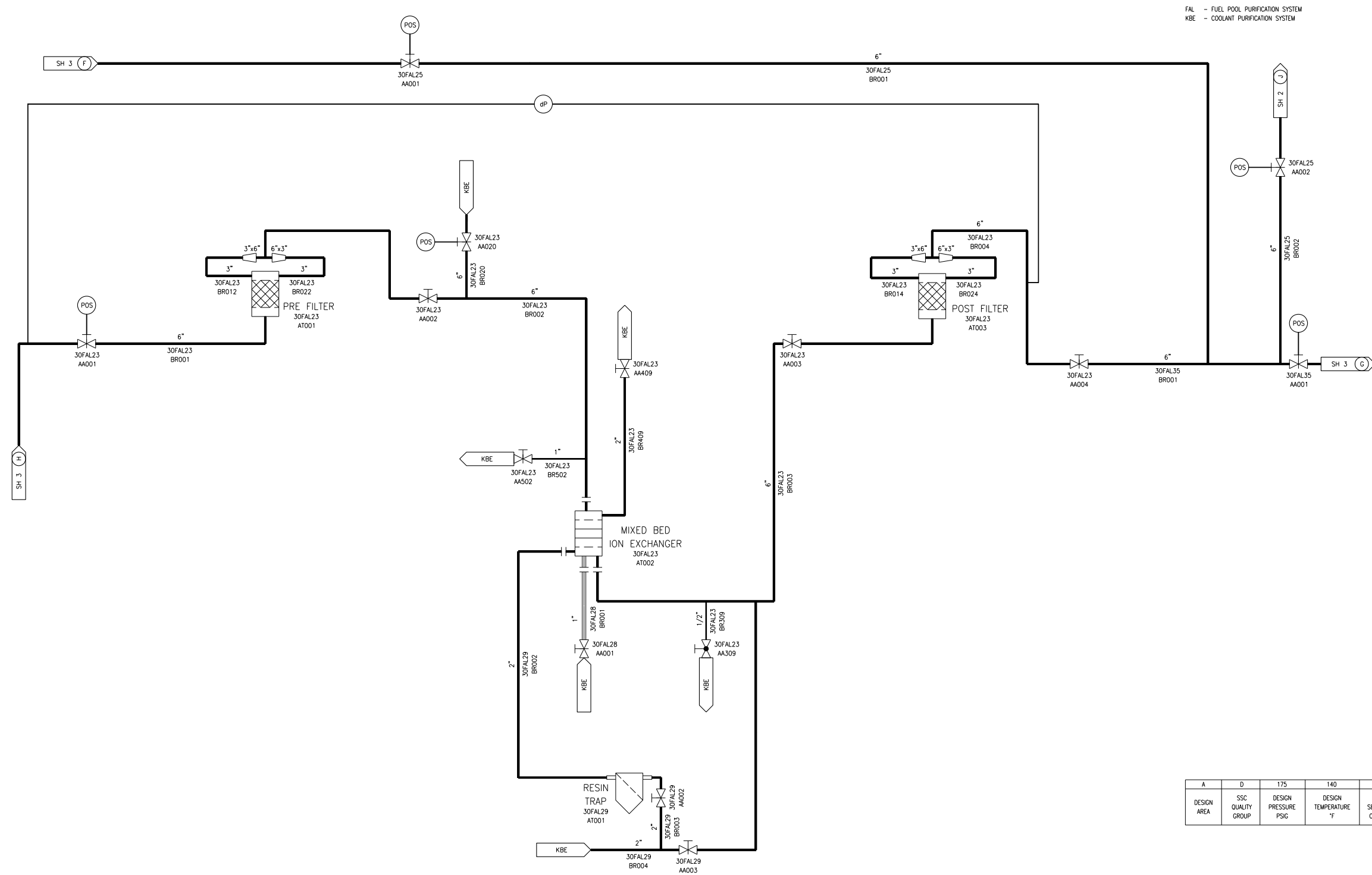


FAL - FUEL POOL PURIFICATION SYSTEM
 KBA - VOLUME CONTROL SYSTEM
 KBE - COOLANT PURIFICATION SYSTEM
 KUB - NUCLEAR SAMPLING SYSTEM - ACTIVE LIQUID SAMPLES
 UFA - FUEL BUILDING
 UKA - NUCLEAR AUXILIARY BUILDING

E	D	110	140	NSC
B	D	290	140	NSC
A	D	175	140	NSC
DESIGN AREA	SSC QUALITY GROUP	DESIGN PRESSURE PSIG	DESIGN TEMPERATURE °F	SSC SEISMIC CLASS

FAL03T2

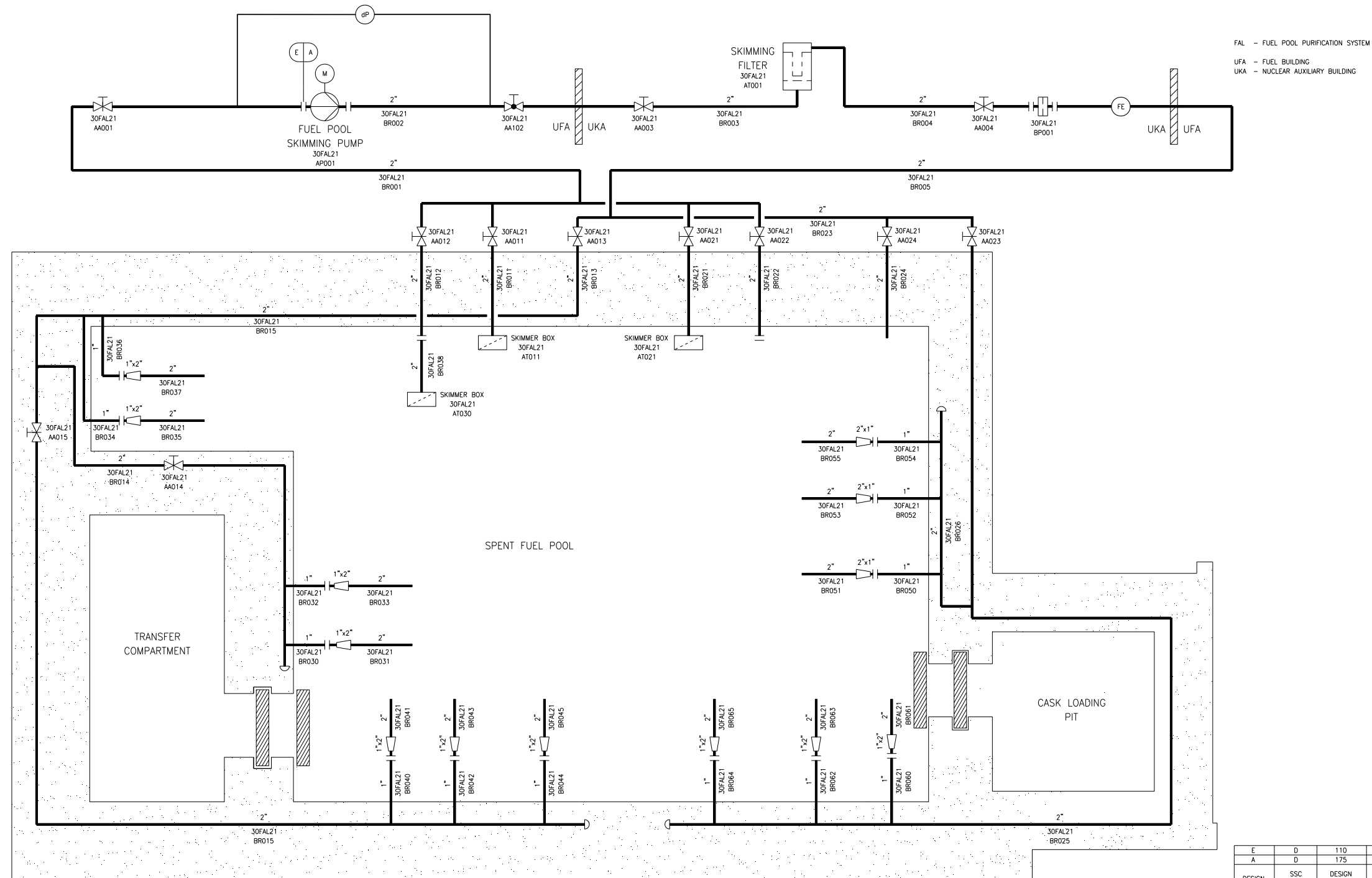
Figure 9.1.3-2—Fuel Pool Purification System
Sheet 4 of 5



A	D	175	140	NSC
DESIGN AREA	SSC QUALITY GROUP	DESIGN PRESSURE PSIG	DESIGN TEMPERATURE °F	SSC SEISMIC CLASS

FAL04T2

Figure 9.1.3-2—Fuel Pool Purification System
Sheet 5 of 5



FAL05T2