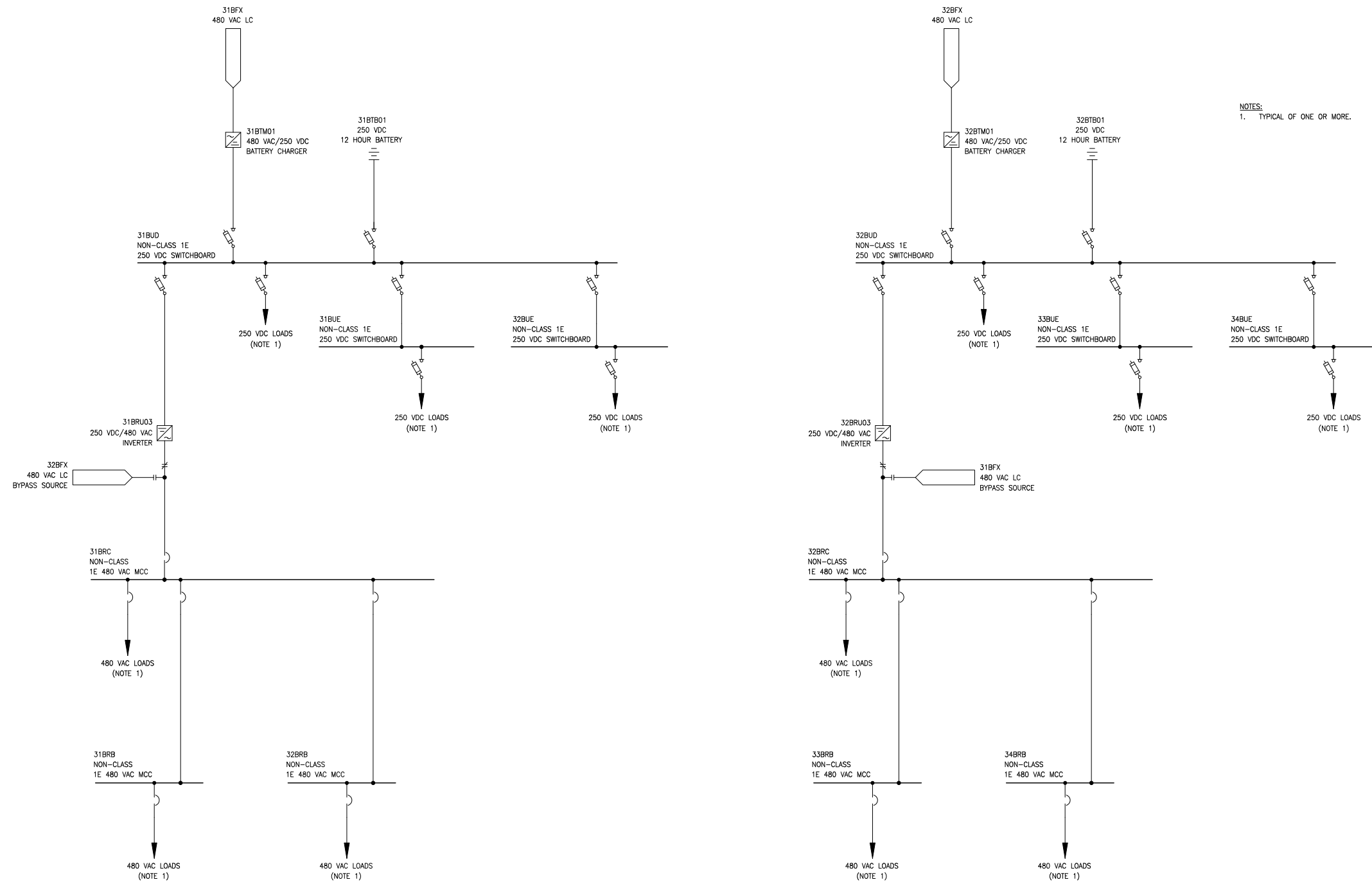


Figure 2.5.11-1—12-Hour Uninterruptible Power Supply System Functional Arrangement



REV 002
12UPS01T1