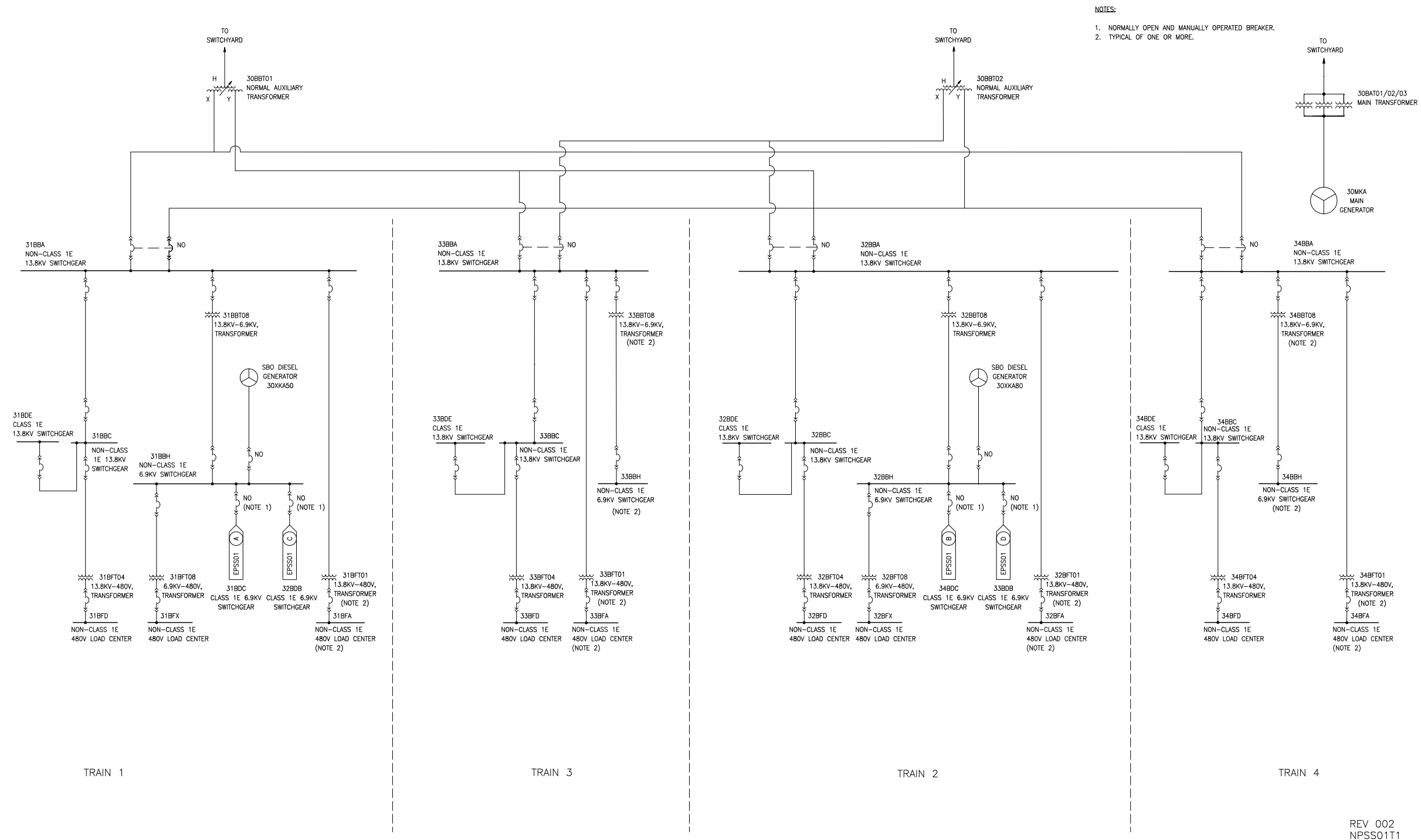
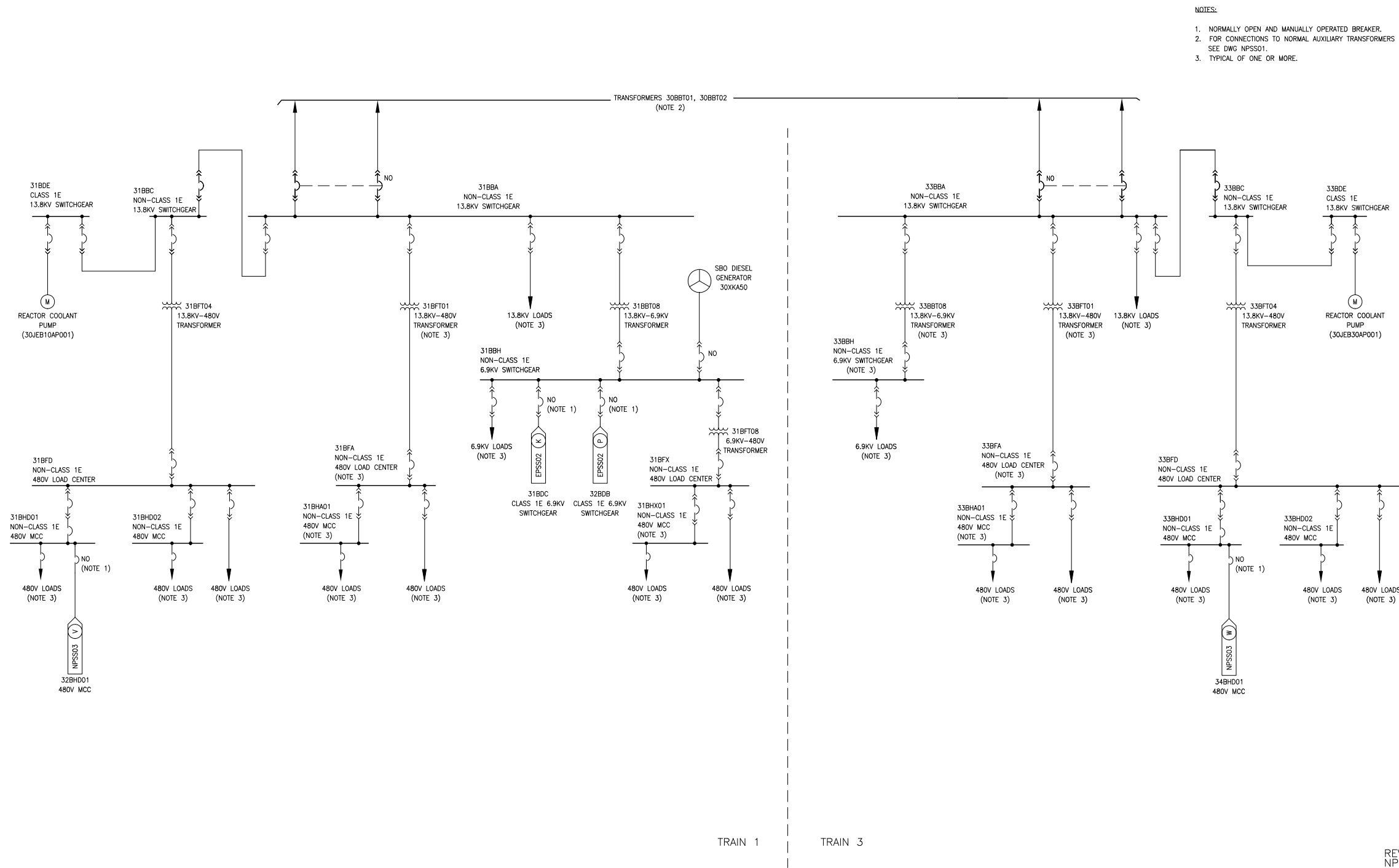


Figure 2.5.10-1—Normal Power Supply System Functional Arrangement
Sheet 1 of 3



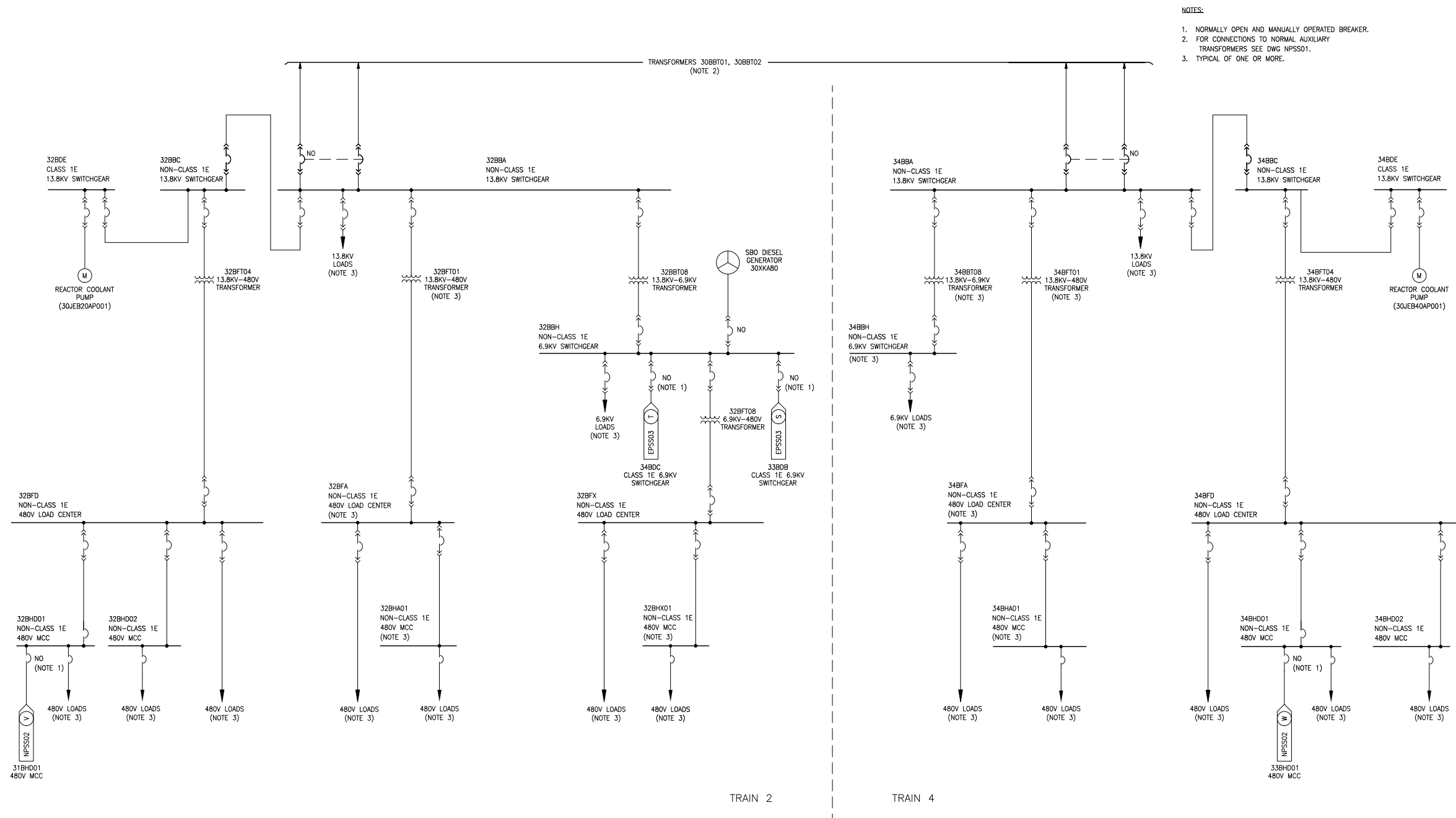
REV 002
NPSS01T1

Figure 2.5.10-1—Normal Power Supply System Functional Arrangement
Sheet 2 of 3



- NOTES:
1. NORMALLY OPEN AND MANUALLY OPERATED BREAKER.
 2. FOR CONNECTIONS TO NORMAL AUXILIARY TRANSFORMERS SEE DWG NPSS01.
 3. TYPICAL OF ONE OR MORE.

Figure 2.5.10-1—Normal Power Supply System Functional Arrangement
Sheet 3 of 3



- NOTES:
1. NORMALLY OPEN AND MANUALLY OPERATED BREAKER.
 2. FOR CONNECTIONS TO NORMAL AUXILIARY TRANSFORMERS SEE DWG NPSS01.
 3. TYPICAL OF ONE OR MORE.

REV 002
NPSS03T1