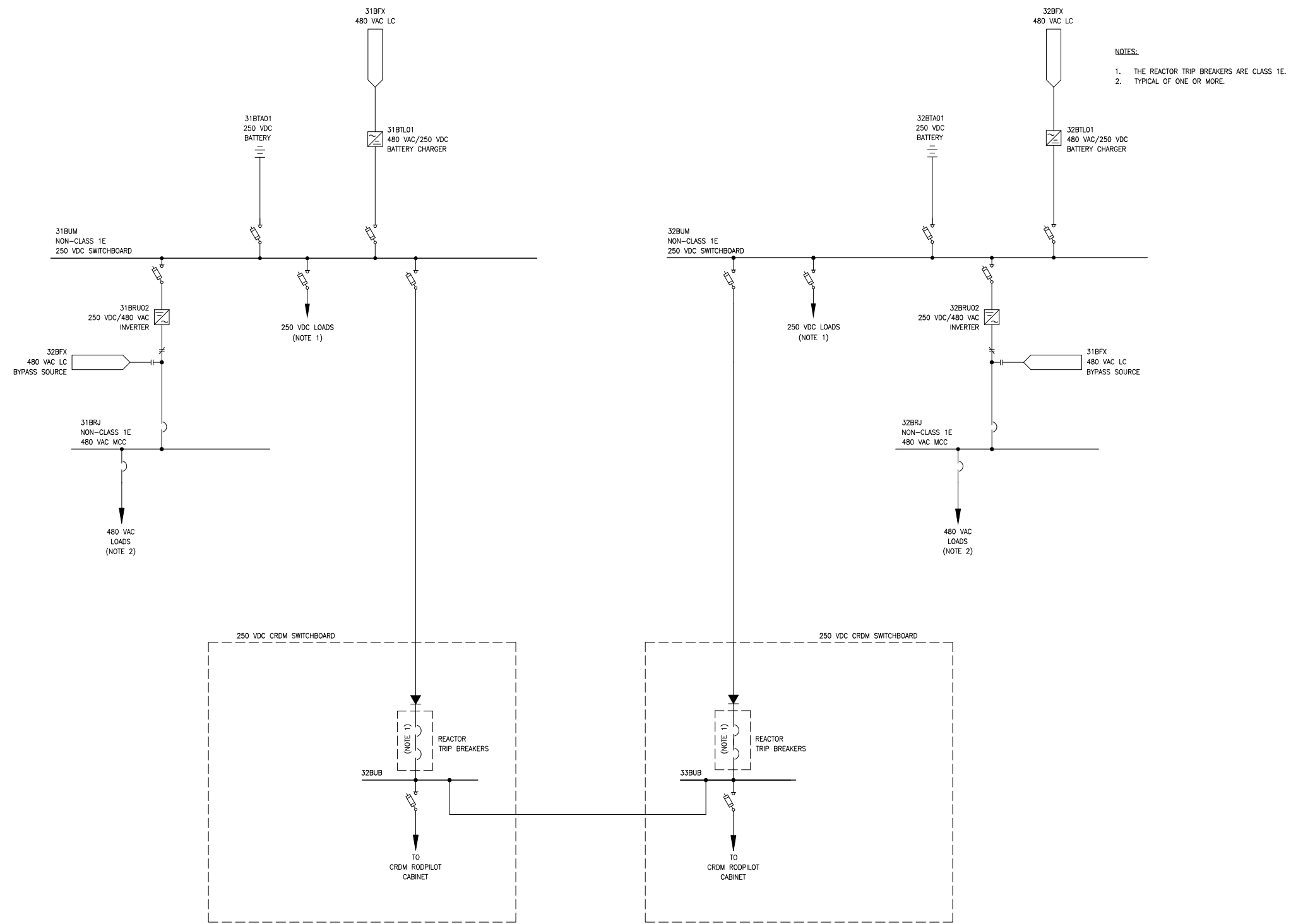


Figure 2.5.7-1—Non-Class 1E Uninterruptible Power Supply System Functional Arrangement



REV 002
NUPS01 T1